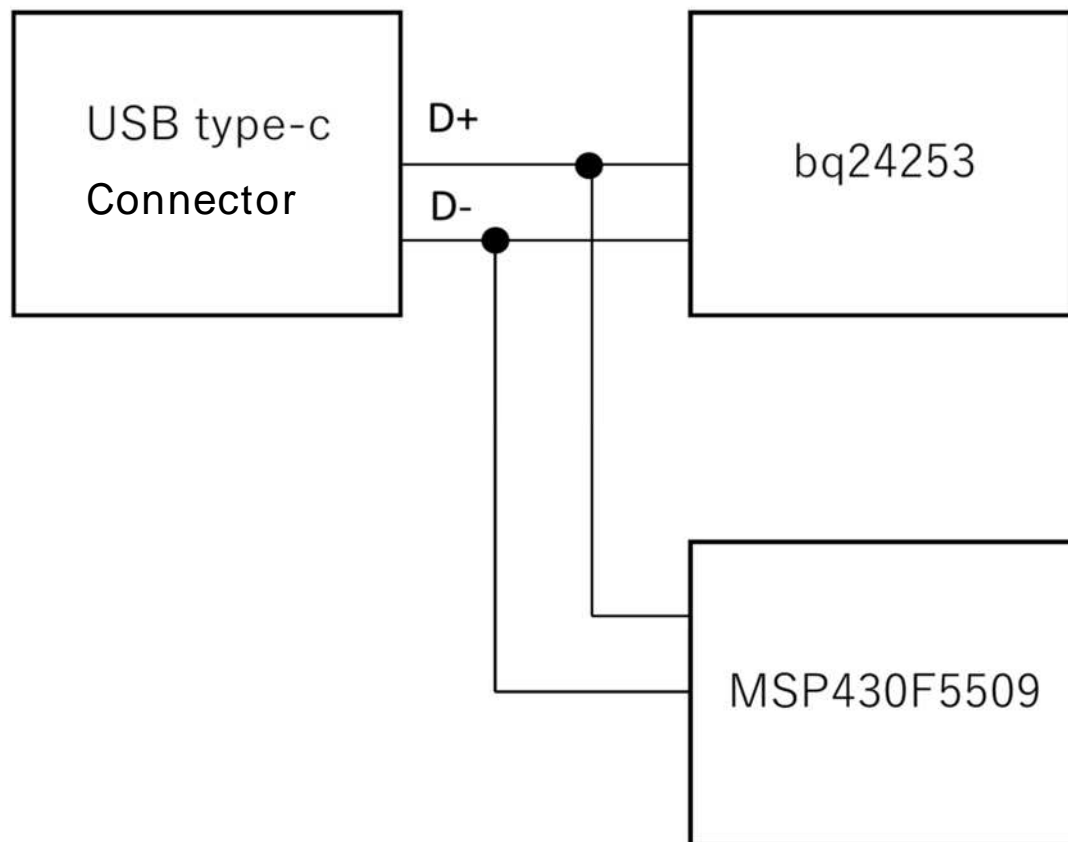


Connection diagram under consideration



Usage of  $D \pm$  terminal

bq24253: BC1.2 standard power supply port detection

MSP430: Data communication by CDC

Question

Do I need to change the connection of  $D \pm$  using a bus switch, etc.?

Is it necessary to use the following as a working image?

type-C connection    Connect to bq24253    Power supply detection    Start charging    Switch from bq24253 to MSP430    Data transfer

Or, if I start CDC after a sufficient time after connecting the USB on the MSP430 software, will there be no need to switch the connection?

If BC1.2 detection is not used, how should I handle the  $D \pm$  terminal of bq24253?

Also, which power supply (DCP, CDP, SDP, non standard battery) will be recognized at that time?