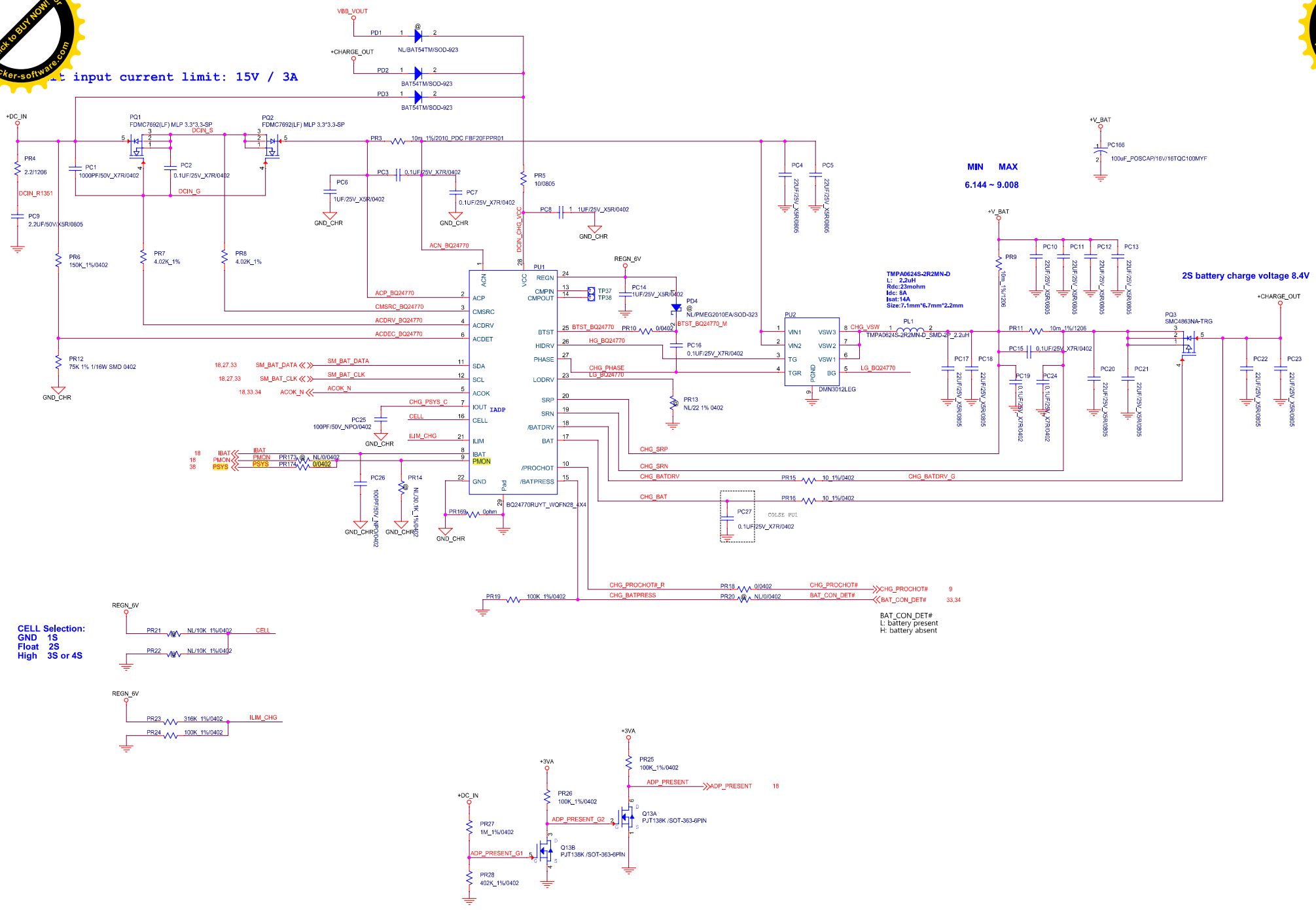




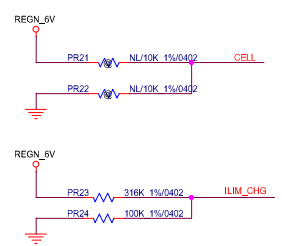
Input current limit: 15V / 3A



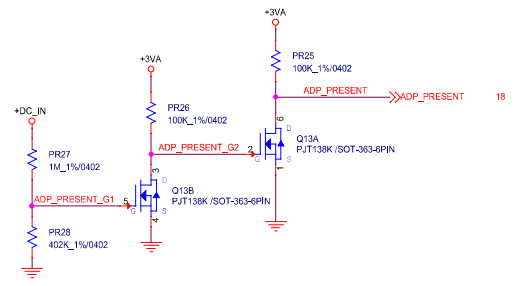
MIN MAX
6.144 ~ 9.008

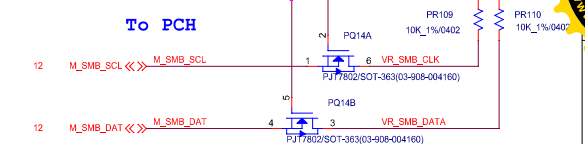
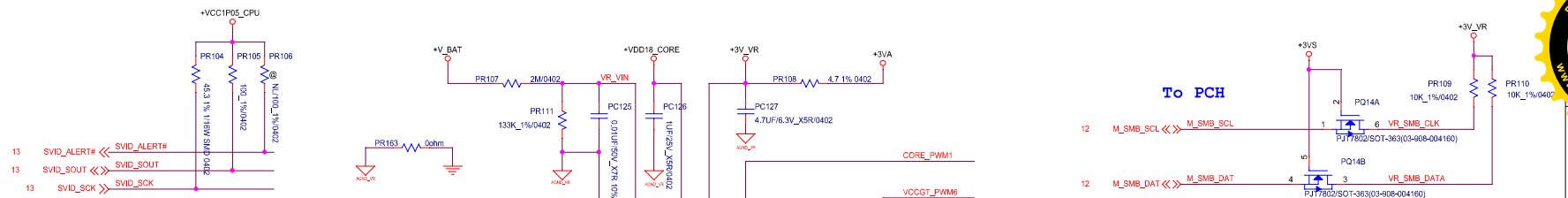
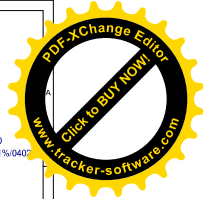
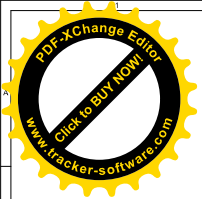
2S battery charge voltage 8.4V

CELL Selection:
GND 1S
Float 2S
High 3S or 4S

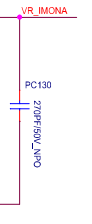
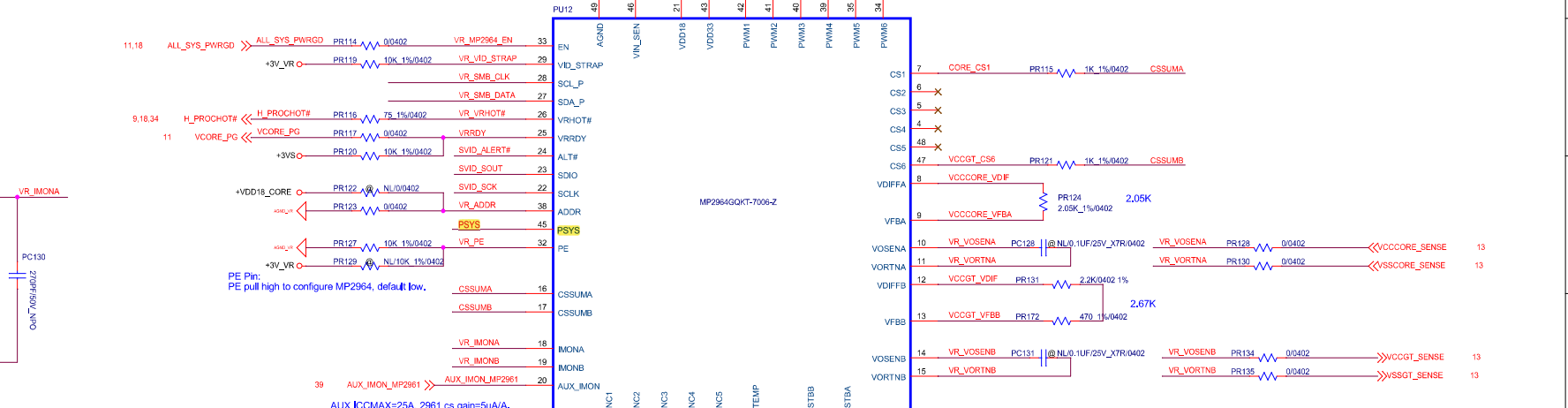


BAT_CON_DET#
L: battery present
H: battery absent





I2C Bus Address is 20h



PSYS pin:
Need charger spec to decide RPSYS value if input power monitor is used.

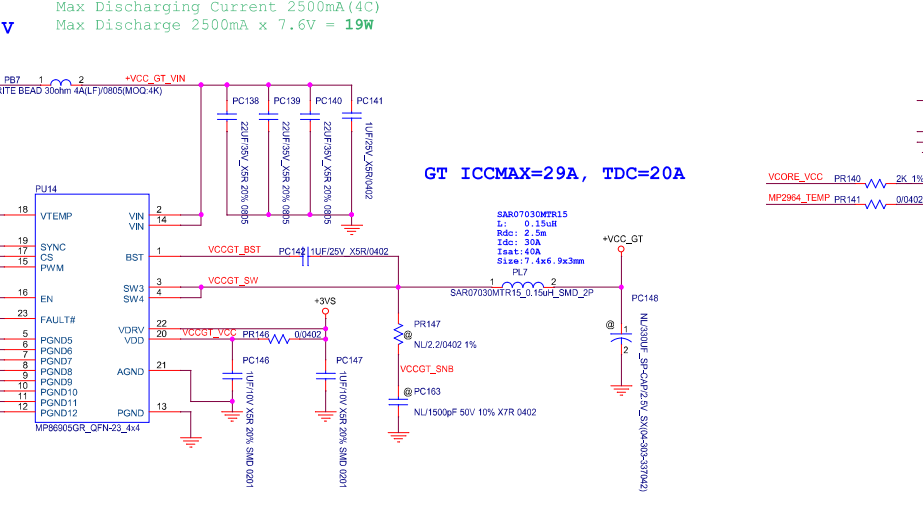
$$Rpsys = 1.6 / (1u * Psys-max)$$

$$Psys-max = (1.6 / Rpsys) / 1.0u$$

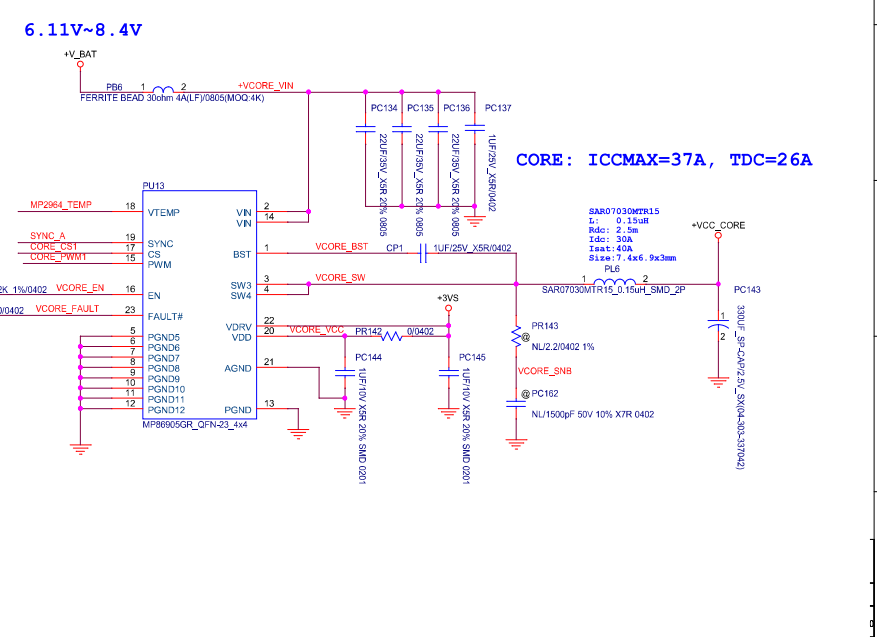
Psys-max = 30W

Adapter 15/3A 45W
Battery 2S 7.6V 23.56Wh
Max Discharging Current 2500mA(4C)
Max Discharge 2500mA x 7.6V = 19W

MPS ADL N Reference Design_Controller--MP2964
Phase configure: 1+1, FSW=600KHz
CORE: ICCMAX=37A, TDC=26A
GT: ICCMAX=29A, TDC=20A



GT ICCMAX=29A, TDC=20A



CORE: ICCMAX=37A, TDC=26A