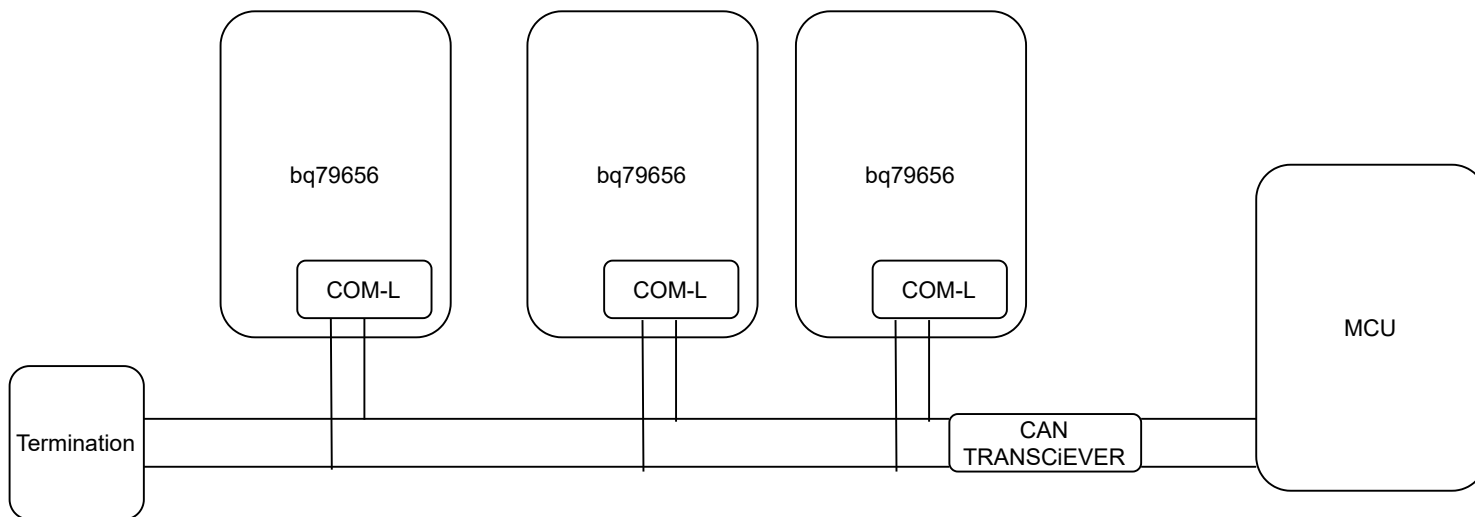


Case -1



Case -2

