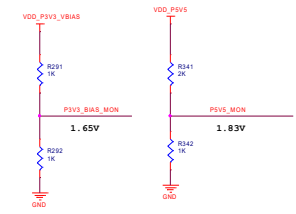
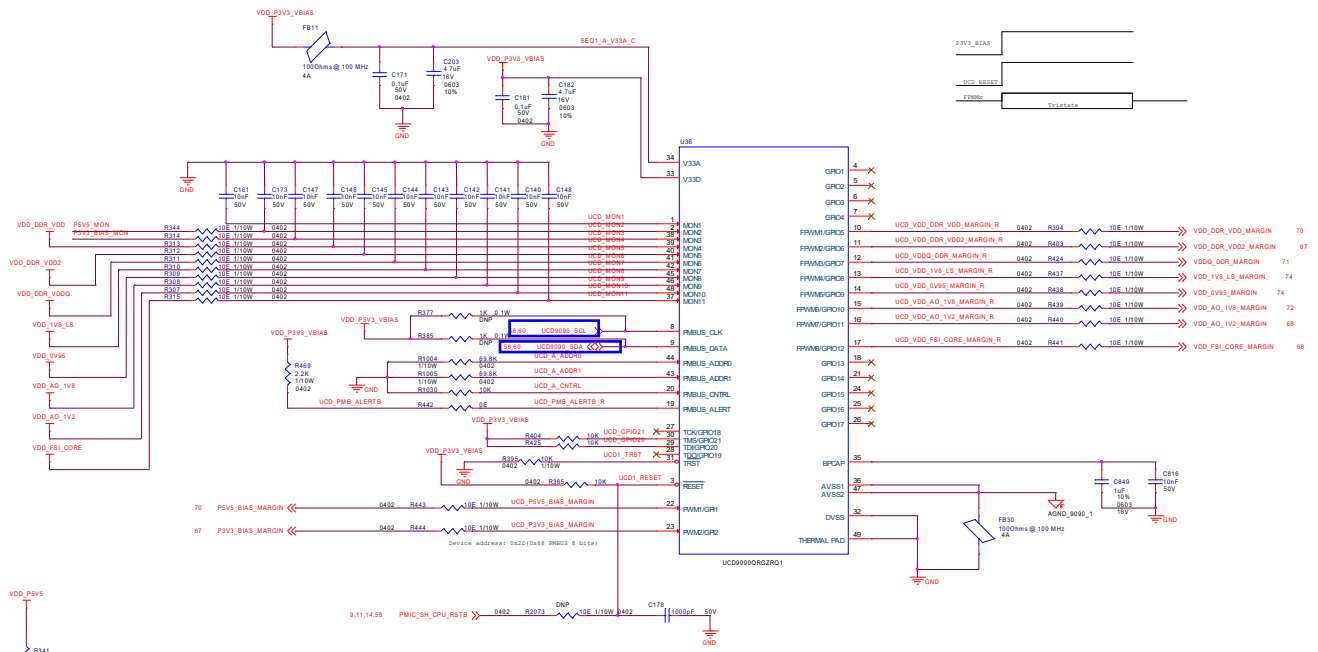


POWER SEQUENCER : UCD9090QRGZRQ1



cruise			
Title: C7 SECONDARY COMPUTE BOARD			
Doc No:	Document:	UCD9090 - VR Margining1	Rev: 1.0
Date:	Wednesday, August 17, 2022	Sheet: 87	of 81