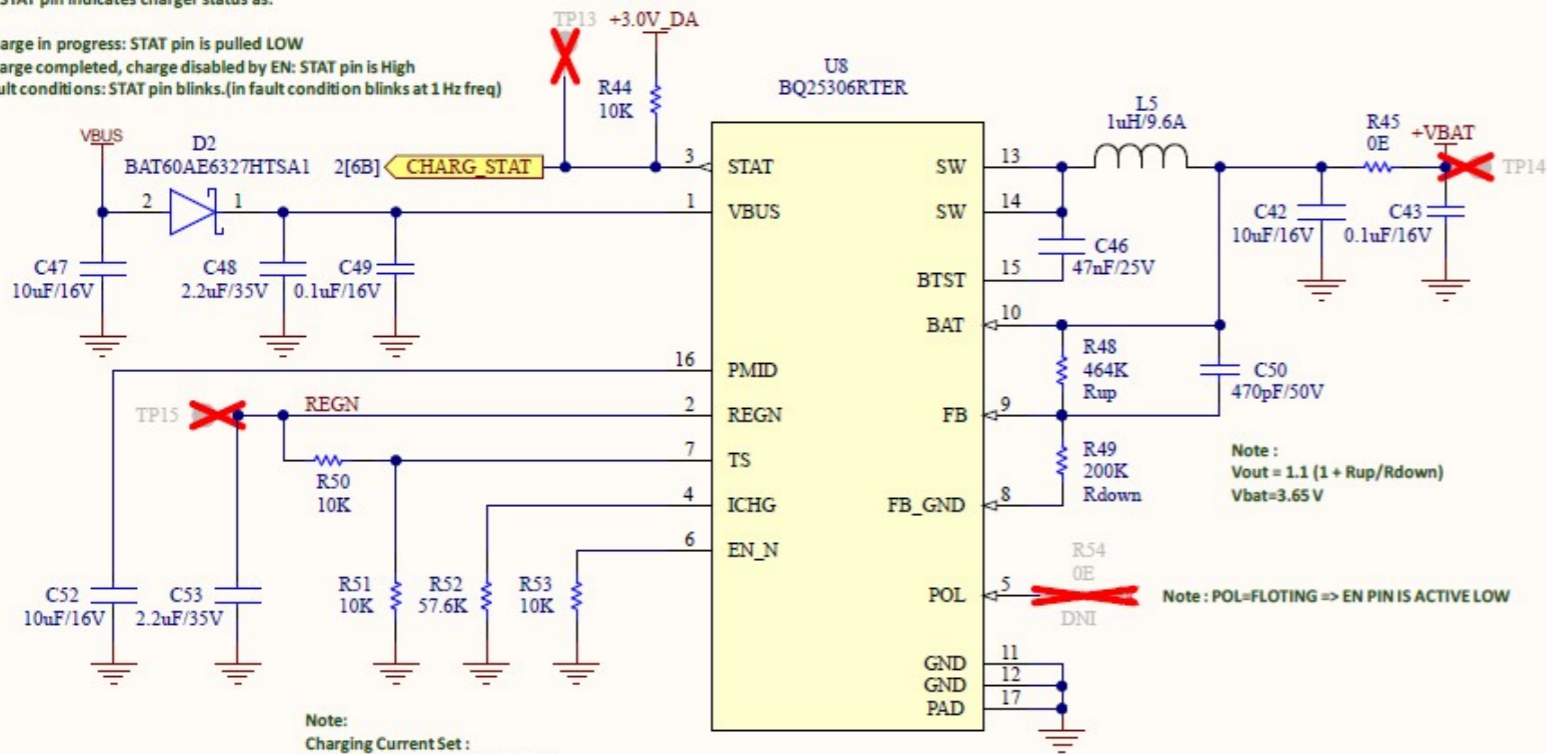


Battery Charging Section

Note:
The STAT pin indicates charger status as:

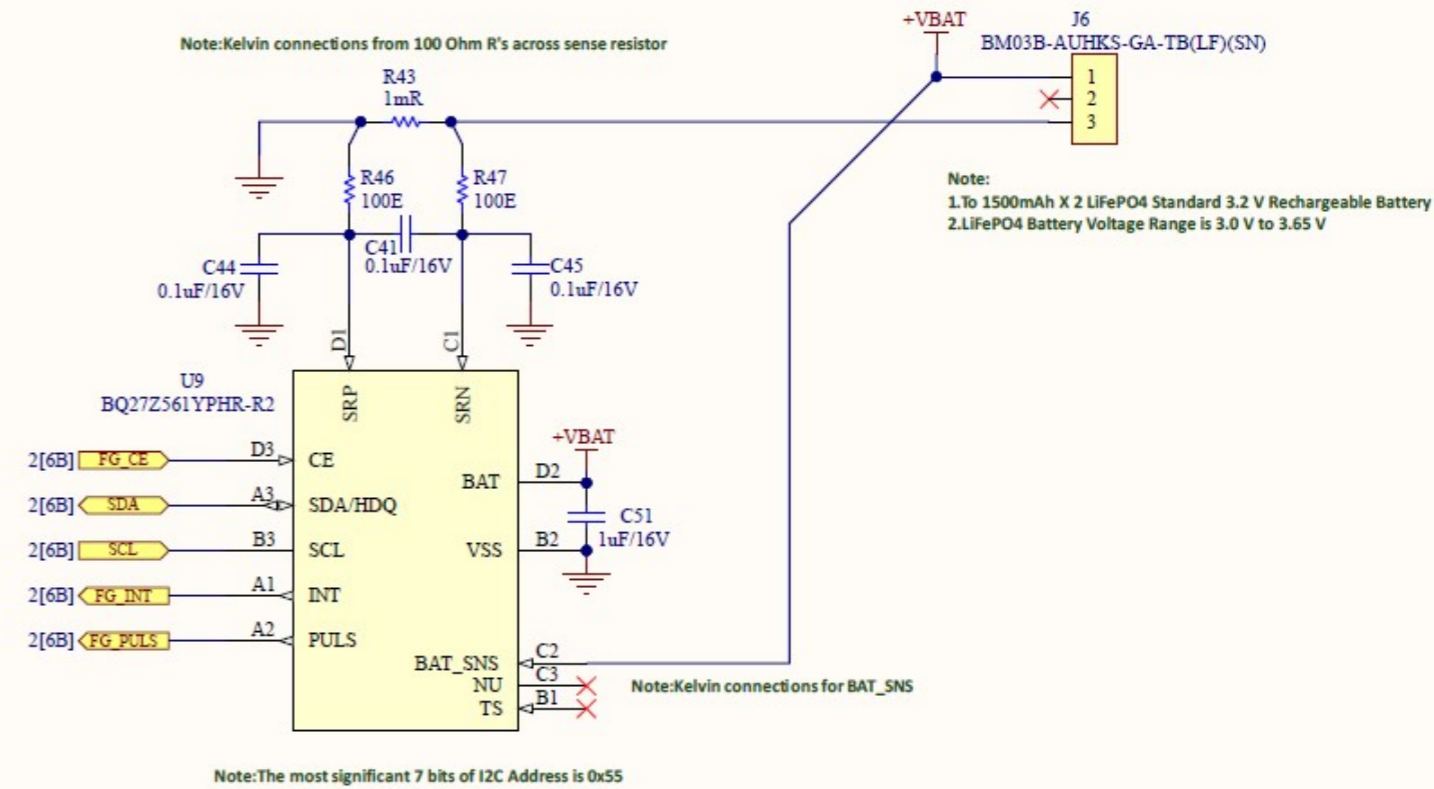
- Charge in progress: STAT pin is pulled LOW
- Charge completed, charge disabled by EN: STAT pin is High
- Fault conditions: STAT pin blinks. (in fault condition blinks at 1 Hz freq)



Note:
Charging Current Set:
 $I = K/R$ I = Charging Current (A)
K = Co-efficient (Ohm*A) typically 40,000
R = Resistor Value

ICHG = 0.4 A with RICHG = 100.0 kΩ
ICHG = 0.5 A with RICHG = 80.00 kΩ
ICHG = 0.6 A with RICHG = 66.67 kΩ

Battery Gauge



Note:
1. To 1500mAh X 2 LiFePO4 Standard 3.2 V Rechargeable Battery
2. LiFePO4 Battery Voltage Range is 3.0 V to 3.65 V

FID1 FID2 MH1 MH2 MH3
X X X X X