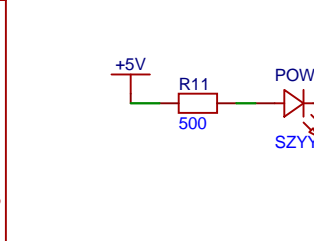
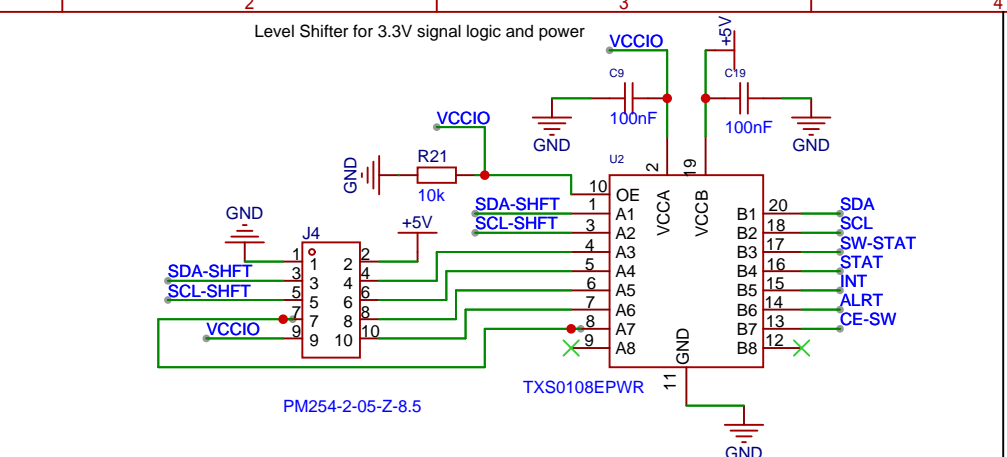
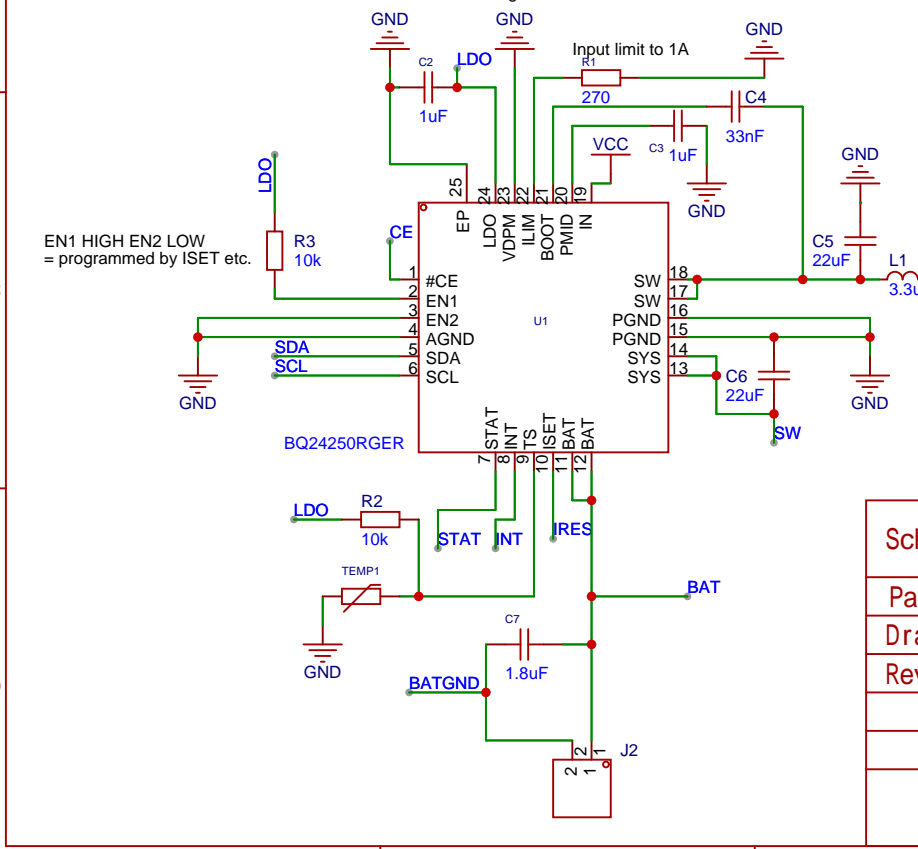


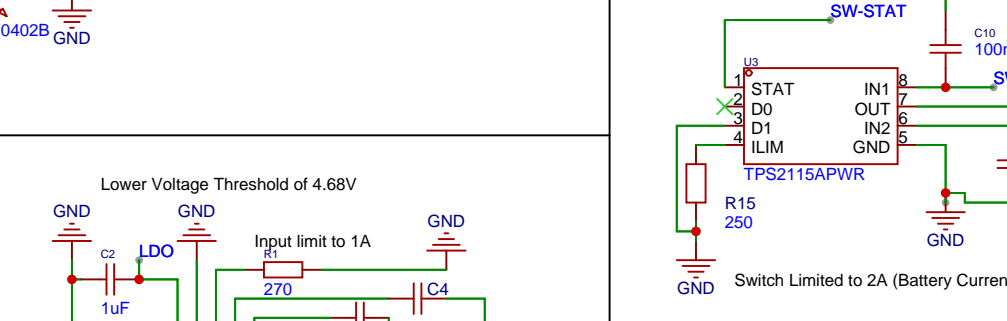
Power LED



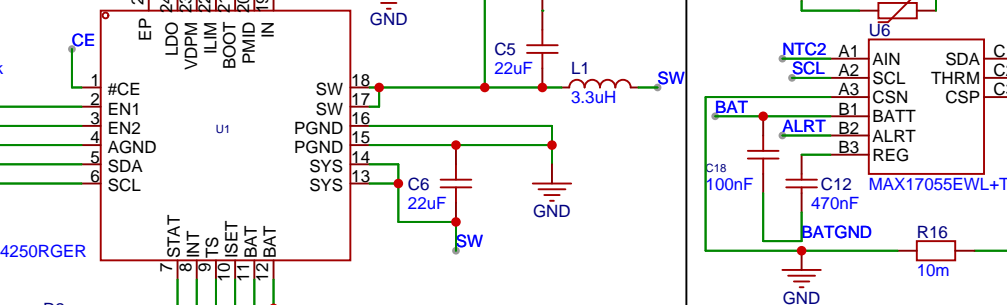
Battery Charger System



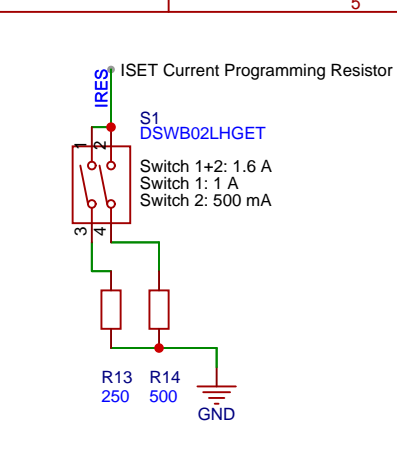
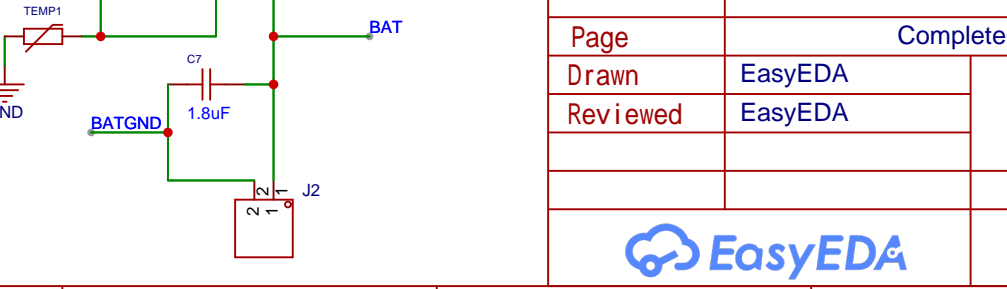
Power switchover



Battery Monitor



Step Up converter



Charge Enable



Update Date

Create Date

Part Number

VER

SIZE

PAGE

1 OF 1

V0.1

A4

powerbank-usv

EasyEDA.com

Schematic	Complete-PCB			Update Date	2024-06-21
Page	Complete-PCB.Complete-PCB			Create Date	2024-06-06
Drawn	EasyEDA	powerbank-usv			
Reviewed	EasyEDA				
		VER	SIZE	PAGE	1 OF 1
		V0.1	A4	EasyEDA.com	