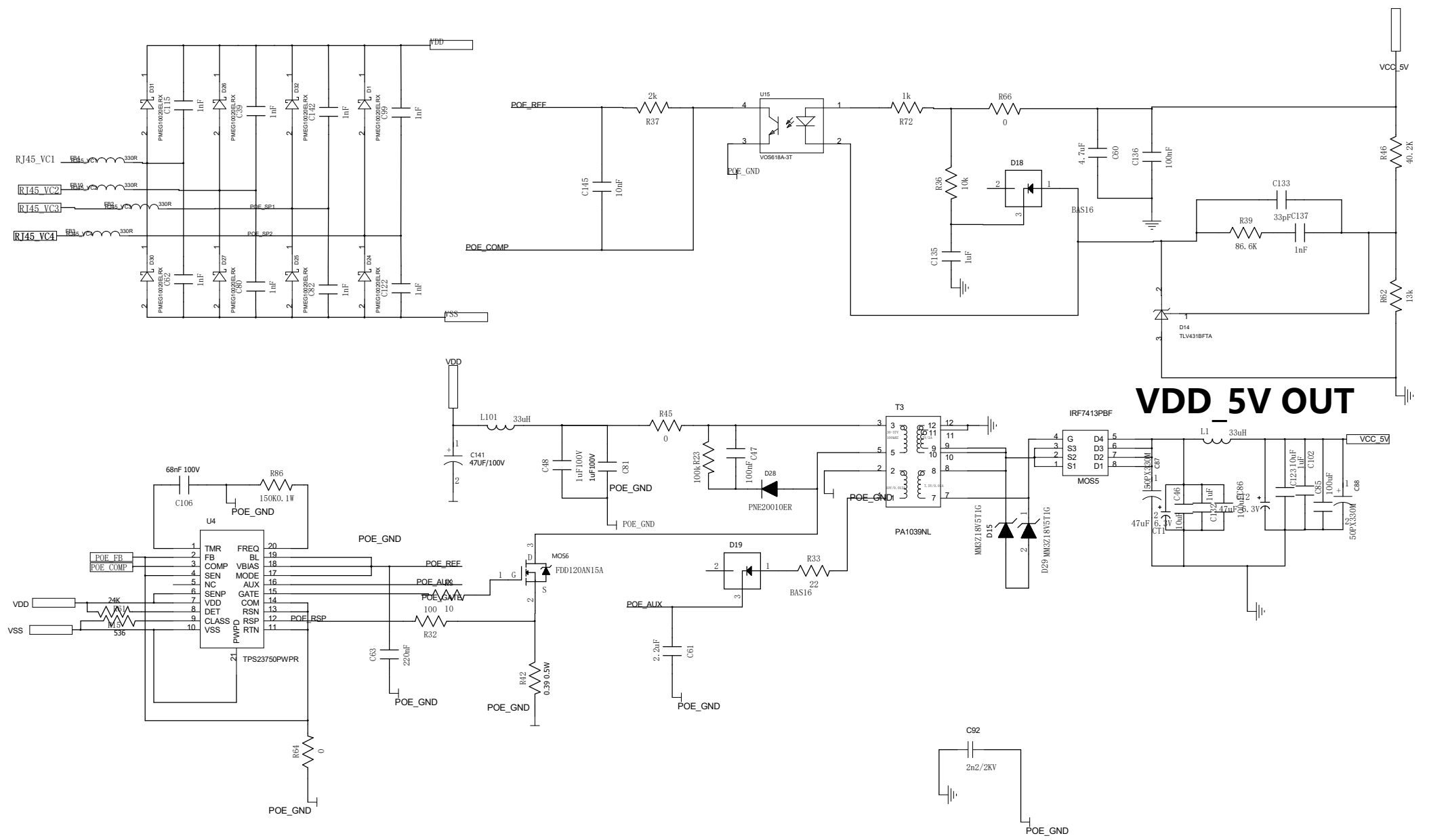


Title		
Size	Number	Revision
Date	Sheet of	
File	Drawn By	



VDD 5V OUT

Title		
Size	Number	Revision
Date:	Sheet of	
File:	Drawn By:	