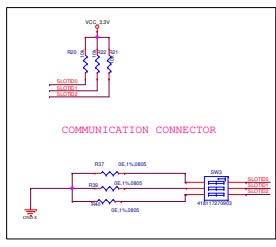
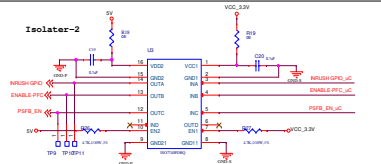
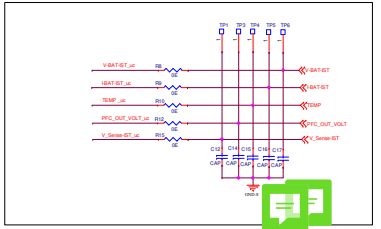
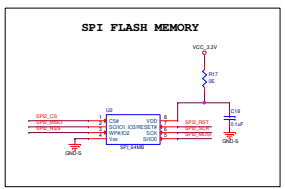
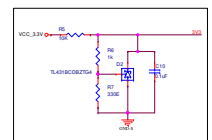
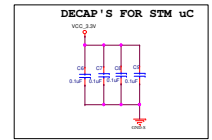
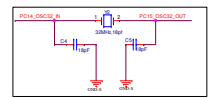
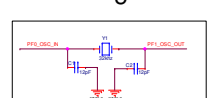
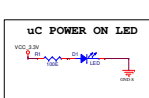
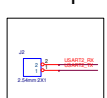
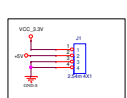
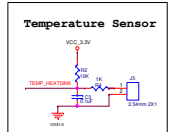


1

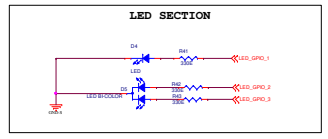
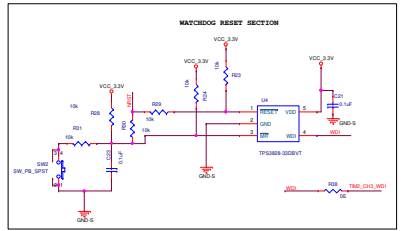
RELAY_OUT	25	25
PAW-BAT	24	24
SW-BAT	23	23
RELAY_IN	22	22
RELAY_OUT	21	21
RELAY_IN	20	20
RELAY_OUT	19	19
RELAY_IN	18	18
RELAY_OUT	17	17
RELAY_IN	16	16
POLARITY	15	15
BAT-DET	14	14
BAT-DET	13	13
PFC_OUT_VOLT	12	12
V_Sense	11	11
TEMP	10	10
TEMP	9	9
TEMP	8	8
TEMP	7	7
TEMP	6	6
TEMP	5	5
TEMP	4	4
TEMP	3	3
TEMP	2	2
TEMP	1	1
SW	1	1
CONN		



RELAY_OUT	25
RELAY_IN	24
SW	1



ENABLE-PFC	25	ENABLE-PFC
RELAY_OUT	24	RELAY_OUT
RELAY_IN	23	RELAY_IN
RELAY_OUT	22	RELAY_OUT
RELAY_IN	21	RELAY_IN
RELAY_OUT	20	RELAY_OUT
RELAY_IN	19	RELAY_IN
RELAY_OUT	18	RELAY_OUT
RELAY_IN	17	RELAY_IN
RELAY_OUT	16	RELAY_OUT
RELAY_IN	15	RELAY_IN
RELAY_OUT	14	RELAY_OUT
RELAY_IN	13	RELAY_IN
RELAY_OUT	12	RELAY_OUT
RELAY_IN	11	RELAY_IN
RELAY_OUT	10	RELAY_OUT
RELAY_IN	9	RELAY_IN
RELAY_OUT	8	RELAY_OUT
RELAY_IN	7	RELAY_IN
RELAY_OUT	6	RELAY_OUT
RELAY_IN	5	RELAY_IN
RELAY_OUT	4	RELAY_OUT
RELAY_IN	3	RELAY_IN
RELAY_OUT	2	RELAY_OUT
RELAY_IN	1	RELAY_IN



D

C

B

A

5

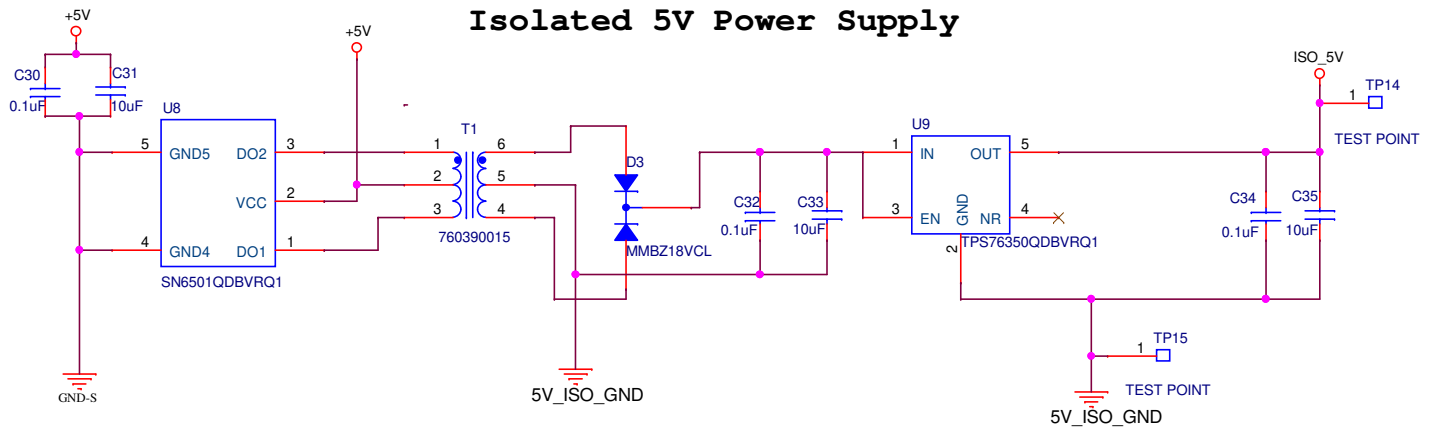
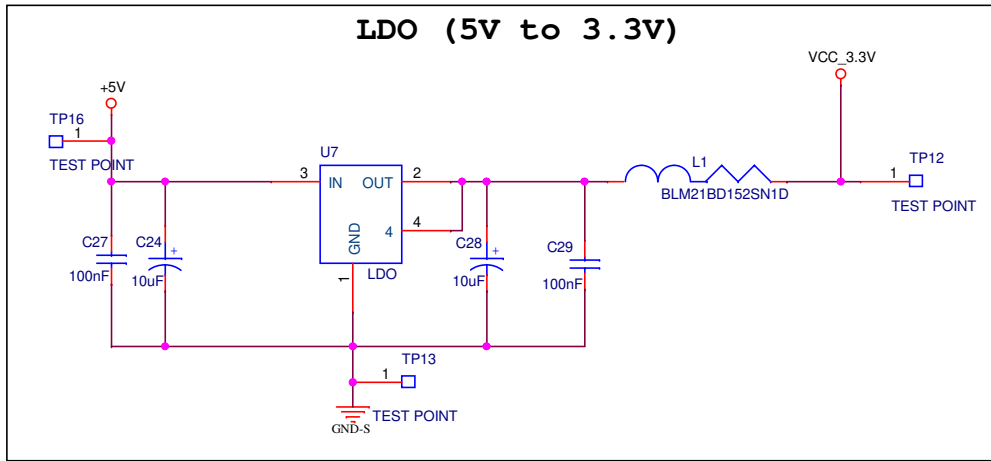
4

3

2

1

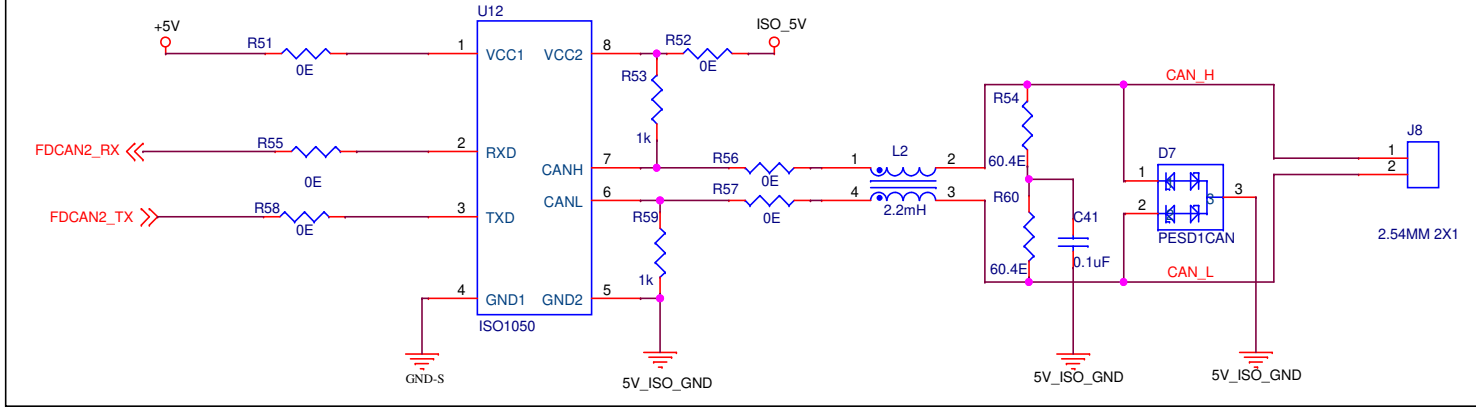
# LDO SECTION



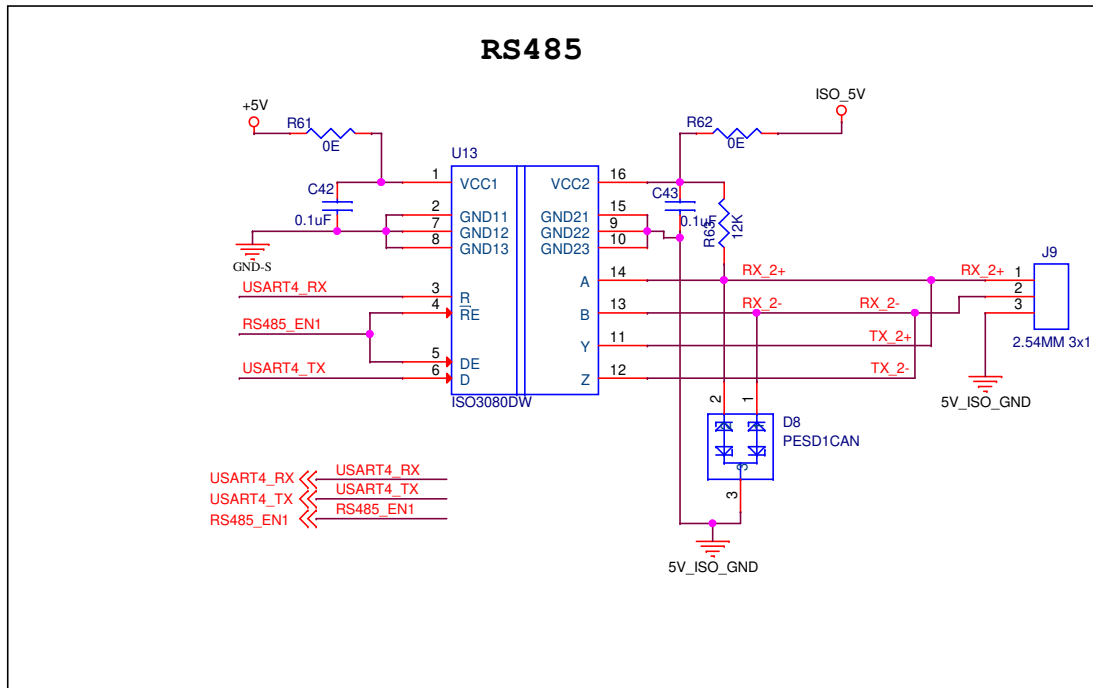
Title		LDO SECTION	
Size	Document Number	Rev	
A4	1	V 1.0	
Date:	Wednesday, November 08, 2023	Sheet	2 of 4

# CAN & RS-485

## CAN TRANCEIVER SECTION



## RS485



Title		
CAN & RS-485		
Size	Document Number	Rev
A4	1	V 1.0
Date:	Friday, November 24, 2023	Sheet 4 of 4