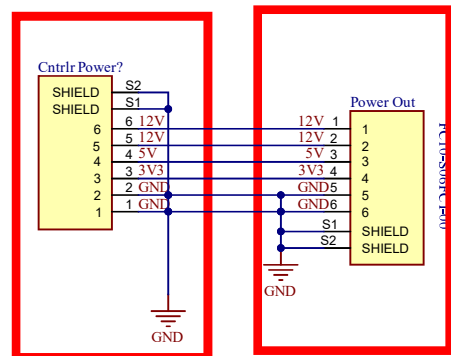
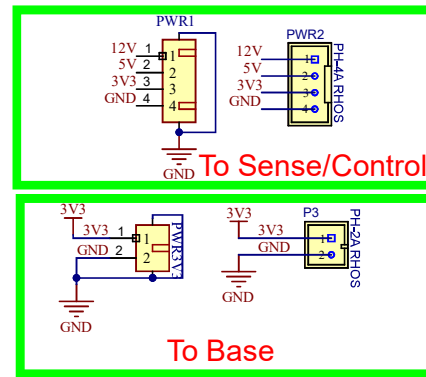


Pins [1->3] = 6V, 4A
 Pins [1->2] = 12V, 1A
 Pins [3->4] = 12V, 1A } 12V, 2A



Texas Instruments and/or its licensors do not warrant the accuracy or completeness of this specification or any information contained therein. Texas Instruments and/or its licensors do not warrant that this design will meet the specifications, will be suitable for your application or fit for any particular purpose, or will operate in an implementation. Texas Instruments and/or its licensors do not warrant that the design is production worthy. You should completely validate and test your design implementation to confirm the system functionality for your application.

Orderable:	Designed for: Public Release	Mod. Date: 10/20/2024	 http://www.ti.com ©Texas Instruments 2016
TID #:	N/A	Project Title: 95VAC-130VAC to 24V@0.75A (up to 3A peak) Flyb	
Number: PMP20815	Rev: B	Sheet Title:	
SVN Rev: Not in version control	Assembly Variant: [No Variations]	Sheet: 1 of 1	
Drawn By:	File: AC-DC_12V_24W_sch.SchDoc	Size: B	
Engineer: C Sarli	Contact: http://www.ti.com/support		