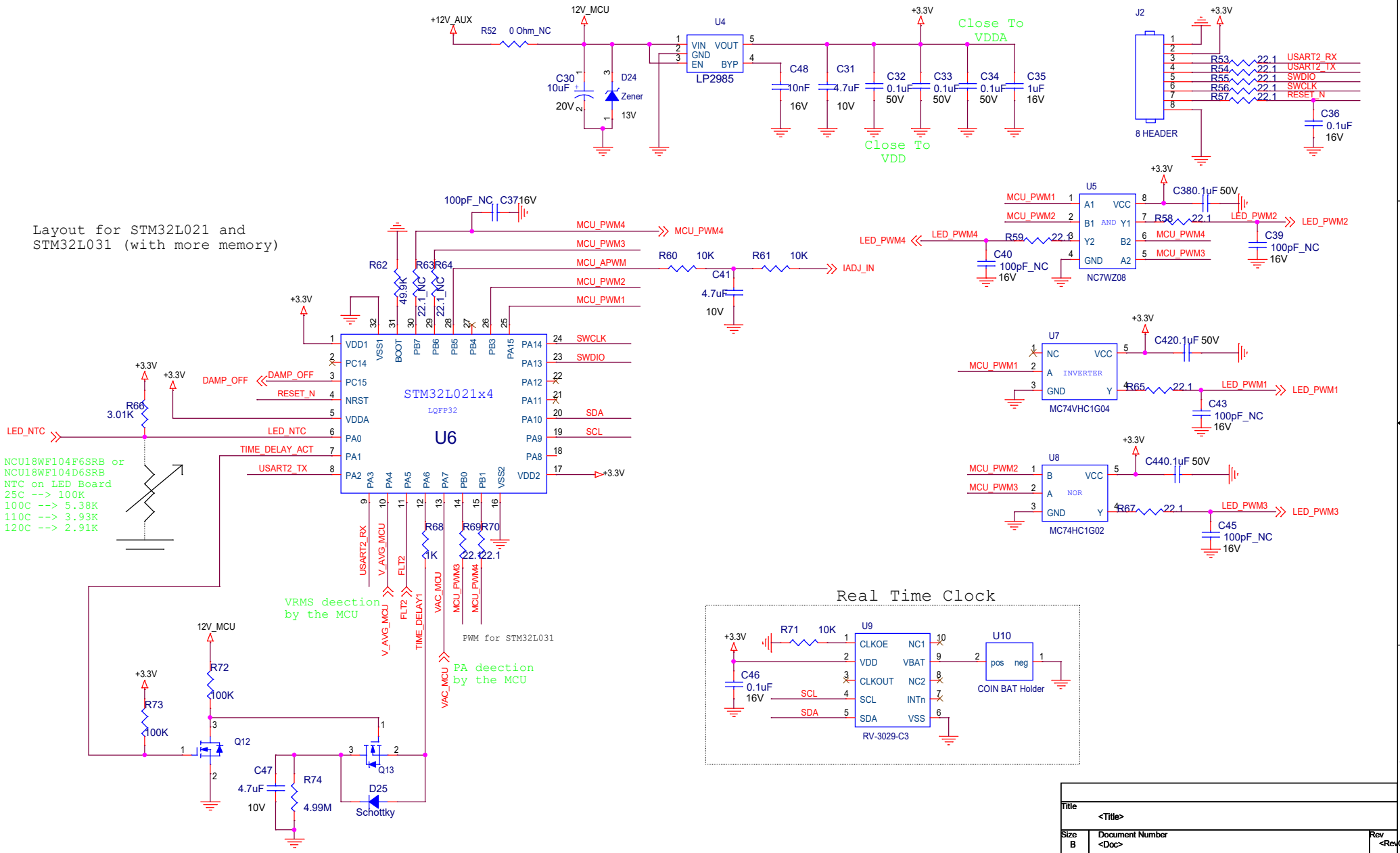


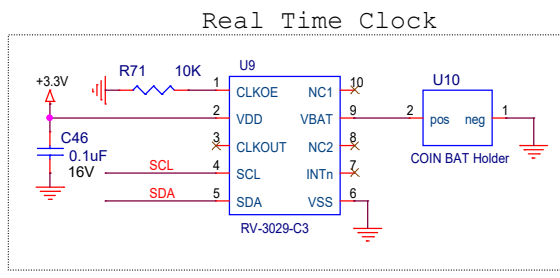
File	<Title>
Doc	Document Number
Comp	Complete
Date	Monday, September 16, 2019 Sheet 1 of 2

Layout for STM32L021 and STM32L031 (with more memory)



NCU18WF104F6SRB or NCU18WF104D6SRB  
NTC on LED Board  
25C --> 100K  
100C --> 5.38K  
110C --> 3.93K  
120C --> 2.91K

VRMS dection by the MCU  
PWM for STM32L031  
PA dection by the MCU



Title	<Title>	
Size	Document Number	Rev
B	<Doc>	<RevCod
Date:	Tuesday, July 30, 2019	Sheet 2 of 2