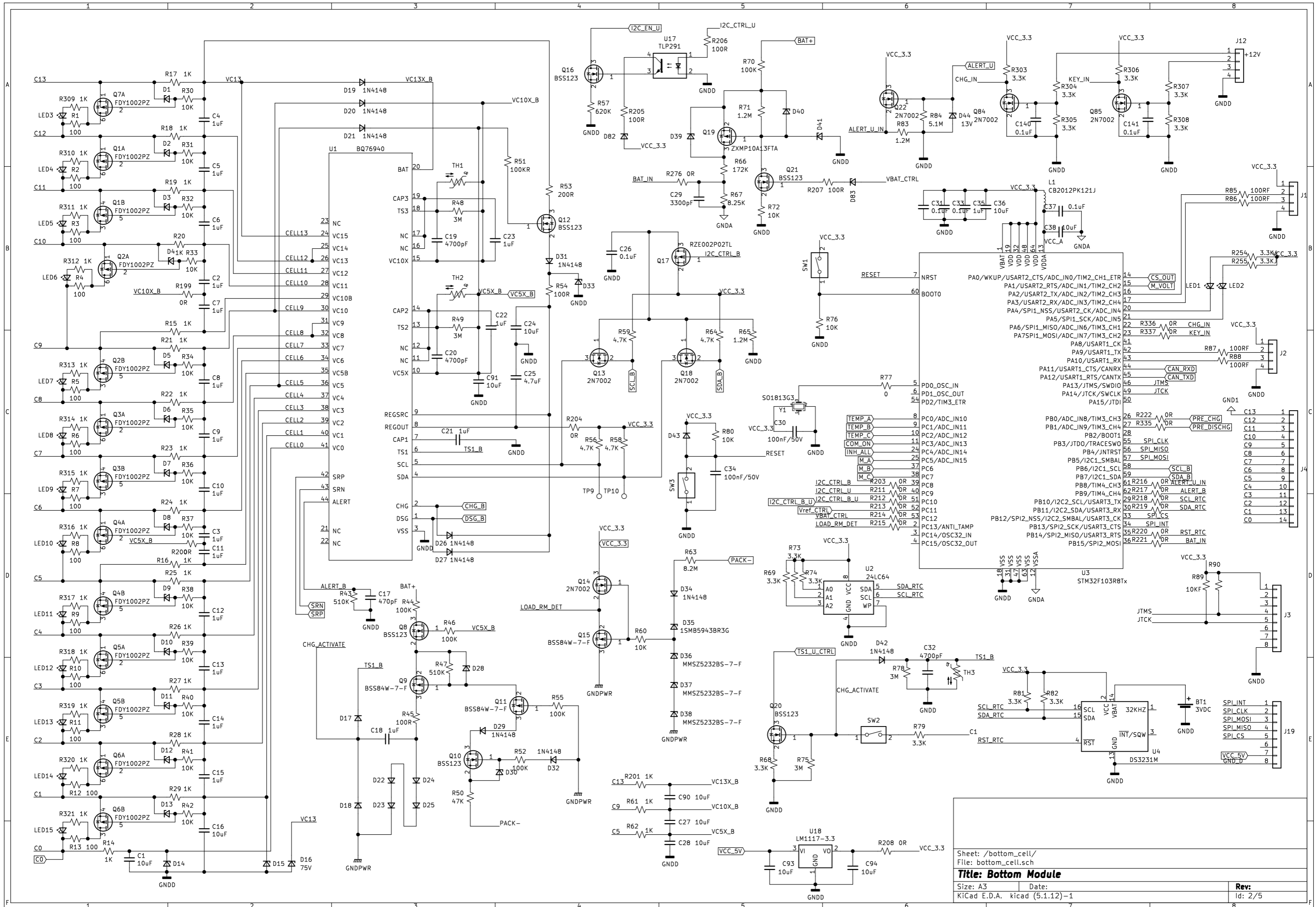
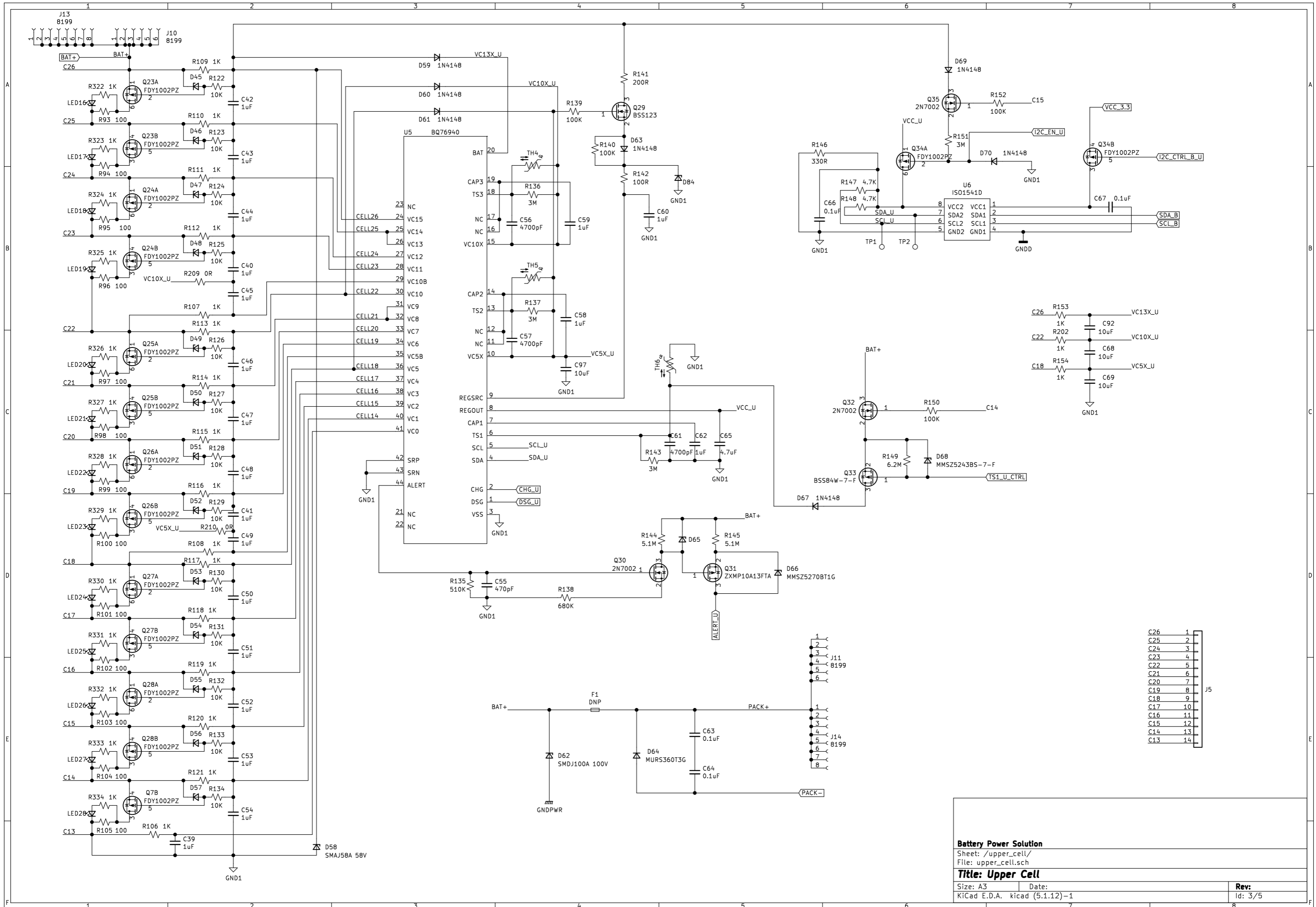


Sheet: /		Date:	
File: e-bike3.sch		KiCad E.D.A. kicad (5.1.12)-1	
<b>Title: BMS for EBike</b>		<b>Rev:</b>	
Size: A4	Date:		Id: 1/5



Sheet: /bottom\_cell/  
 File: bottom\_cell.sch  
**Title: Bottom Module**  
 Size: A3 Date: \_\_\_\_\_  
 KiCad E.D.A. kicad (5.1.12)-1 Rev: \_\_\_\_\_  
 Id: 2/5



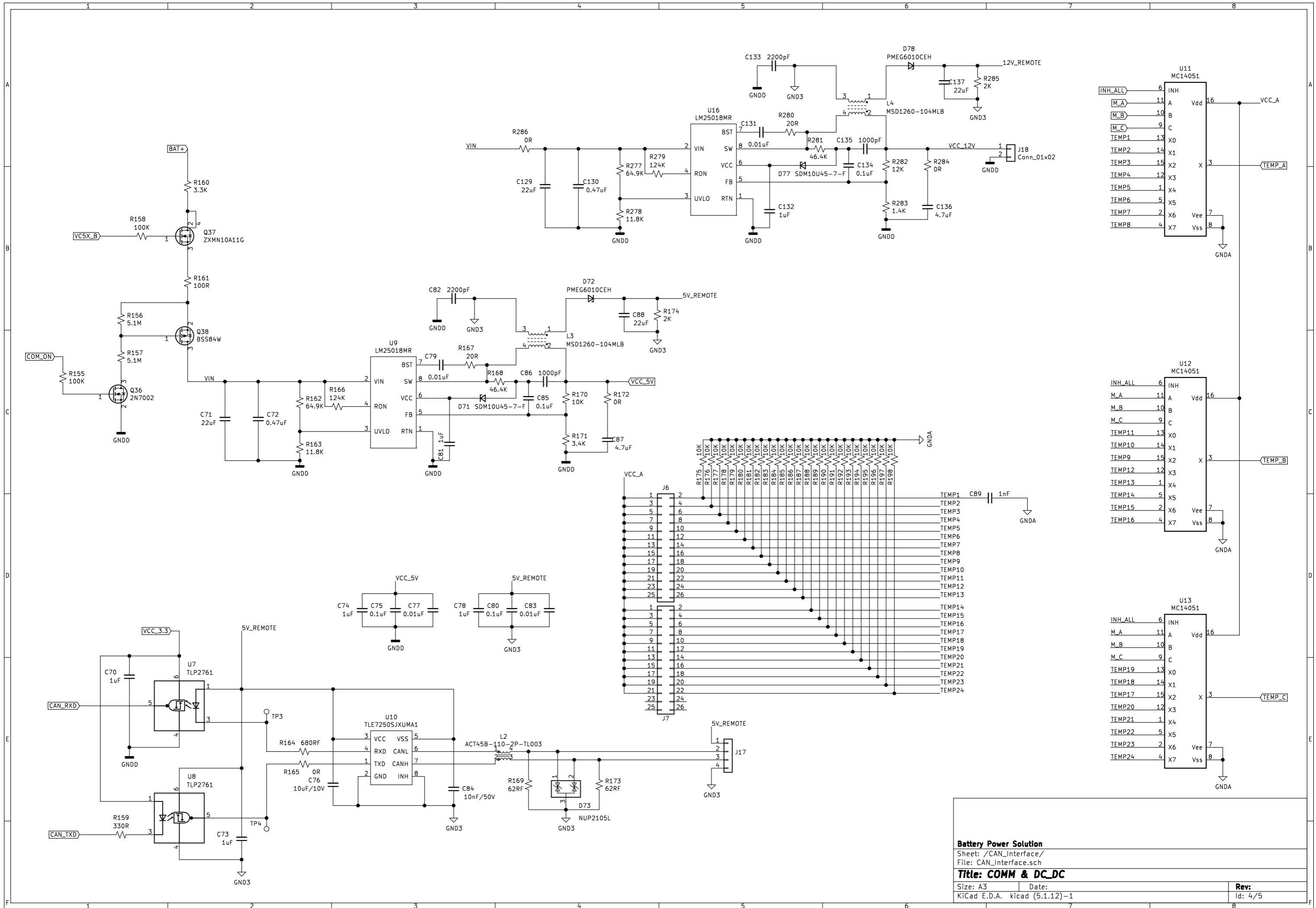
**Battery Power Solution**  
 Sheet: /upper\_cell/  
 File: upper\_cell.sch  
**Title: Upper Cell**  
 Size: A3 Date:   
 KiCad E.D.A. kicad (5.1.12)-1 **Rev:** 3/5

C26	1
C25	2
C24	3
C23	4
C22	5
C21	6
C20	7
C19	8
C18	9
C17	10
C16	11
C15	12
C14	13
C13	14

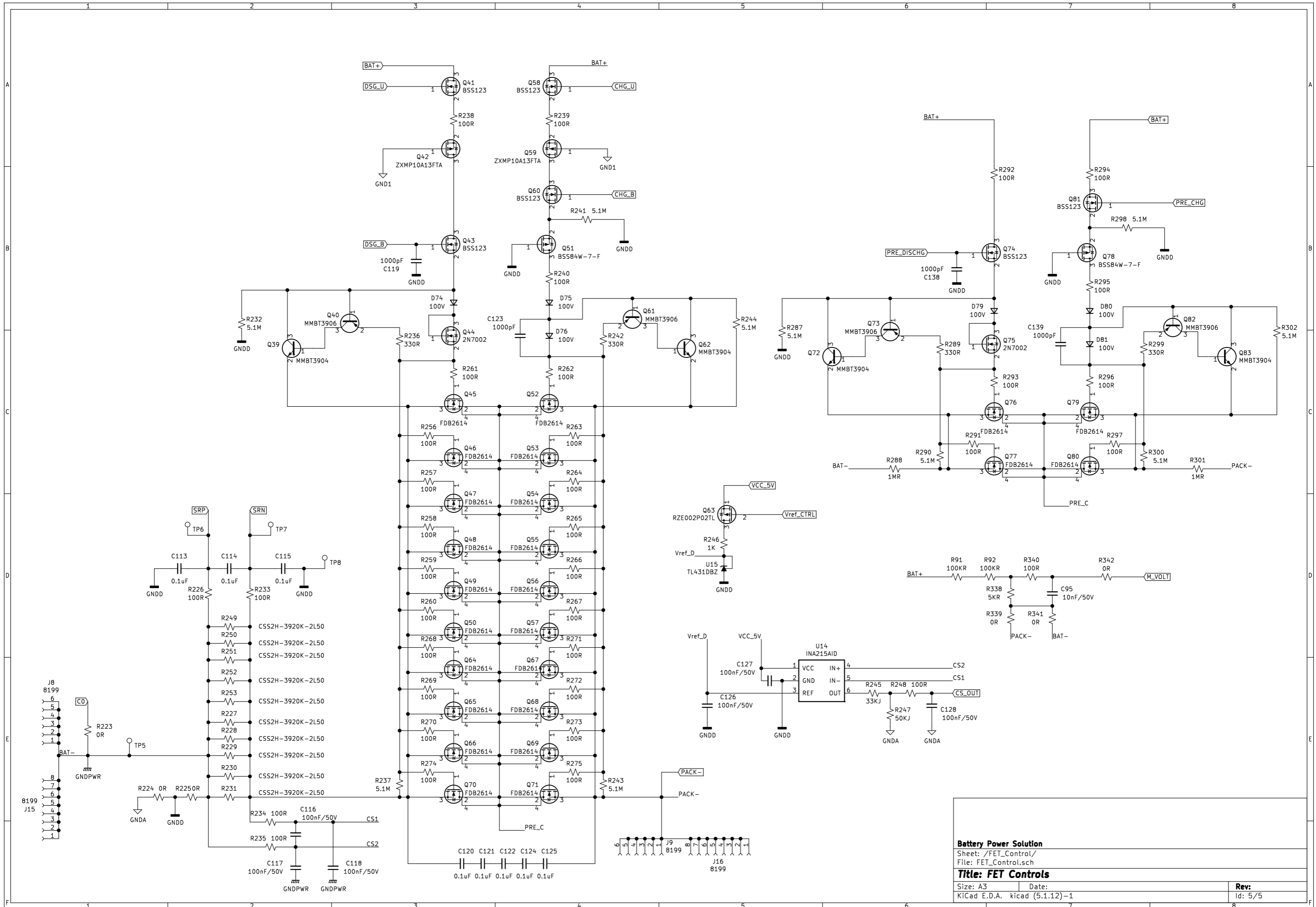
1	←
2	←
3	←
4	←
5	←
6	←
7	←
8	←

1	←
2	←
3	←
4	←
5	←
6	←
7	←
8	←

J5



<b>Battery Power Solution</b>			
Sheet: /CAN_Interface/			
File: CAN_Interface.sch			
<b>Title: COMM &amp; DC_DC</b>			
Size: A3	Date:	Rev:	
KiCad E.D.A. kicad (5.1.12)-1		Id: 4/5	



<b>Battery Power Solution</b>		
Sheet: /FET_Control/		
File: FET_Control.sch		
<b>Title: FET Controls</b>		
Size: A3	Date:	Rev:
KiCad E.D.A. kicad (5.1.12)-1		Id: 5/5