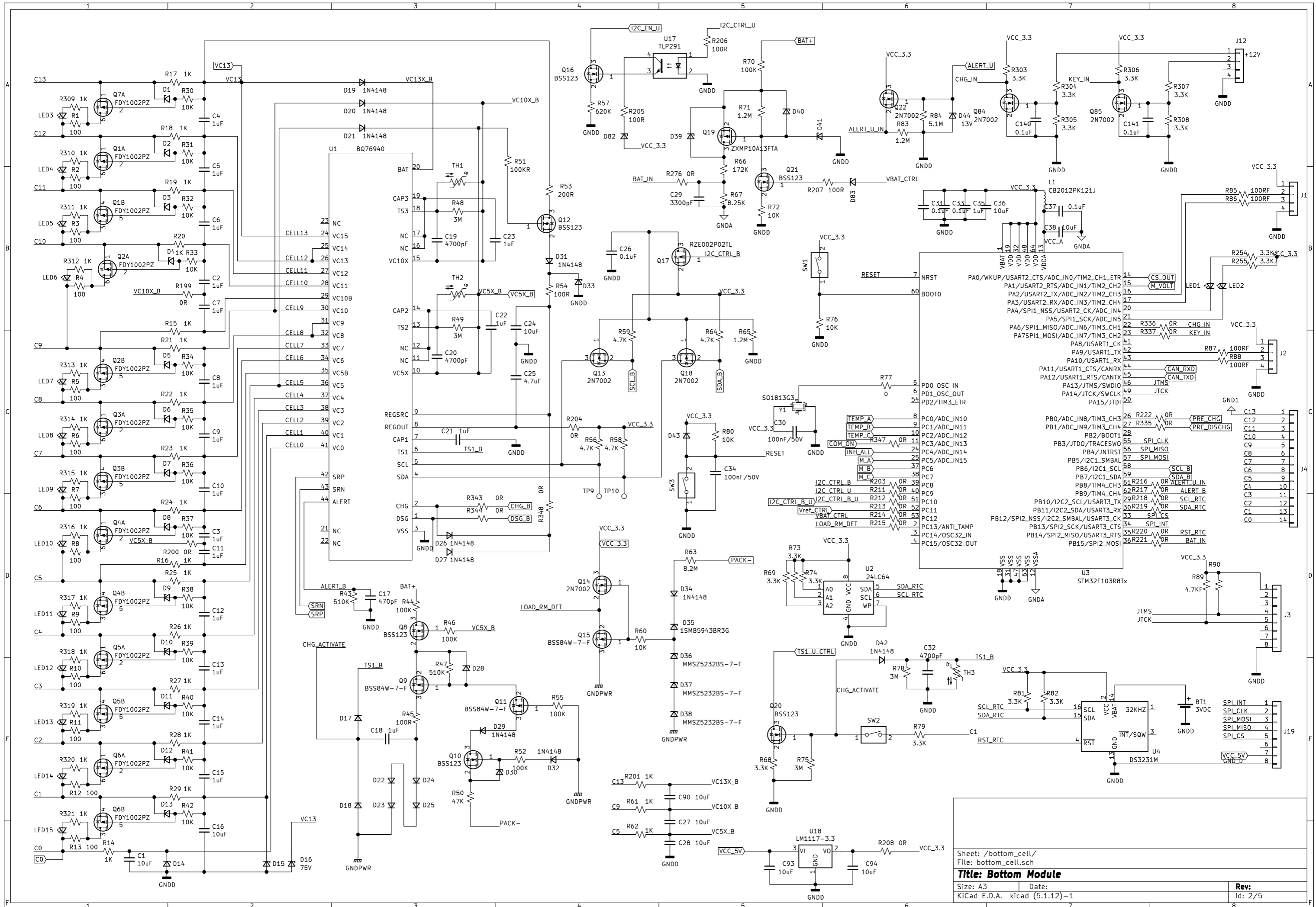
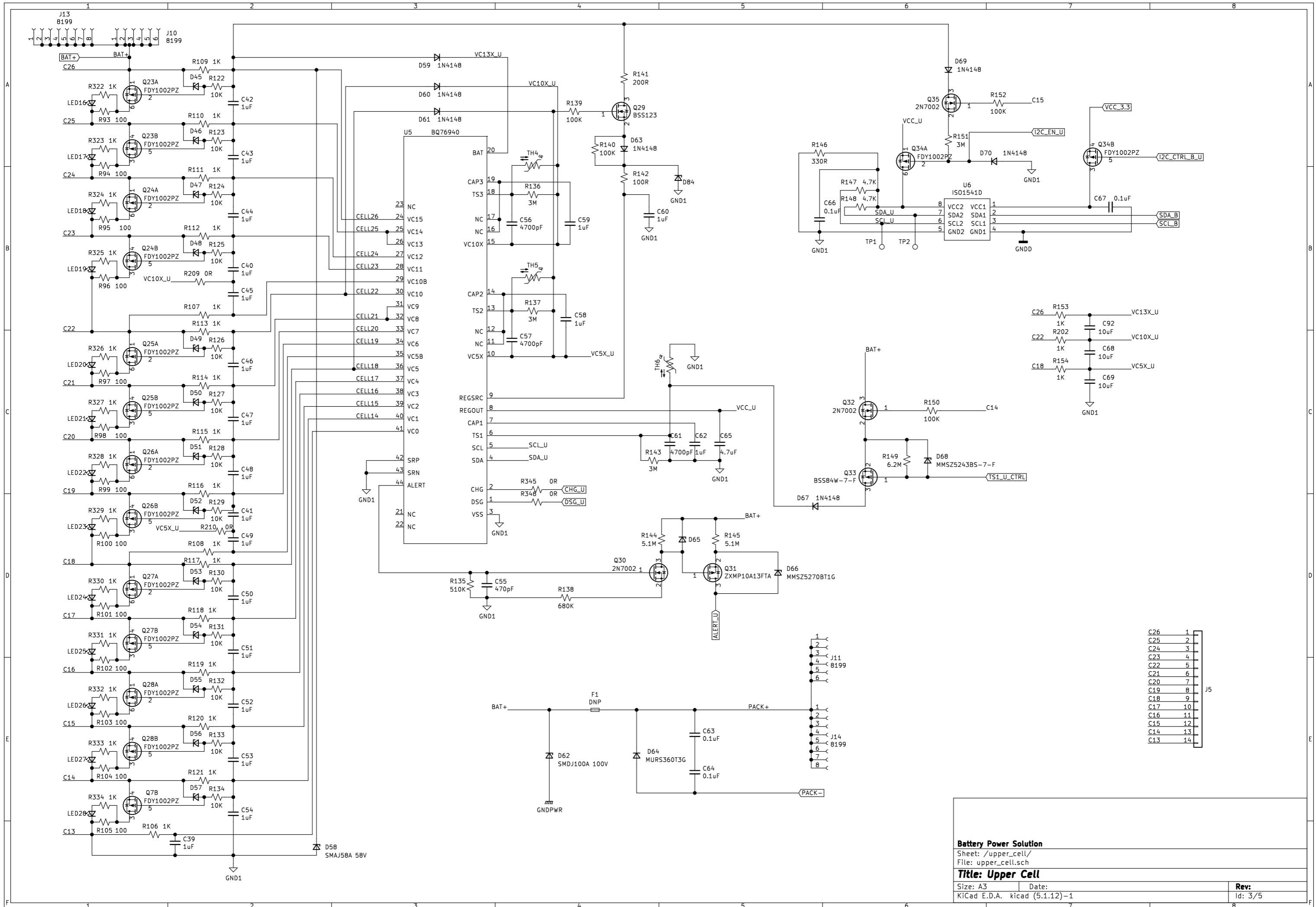


Sheet: /	
File: e-bike3.sch	
Title: BMS for EBike	
Size: A4	Date:
KiCad E.D.A. kicad (5.1.12)-1	
Rev:	
Id: 1/5	

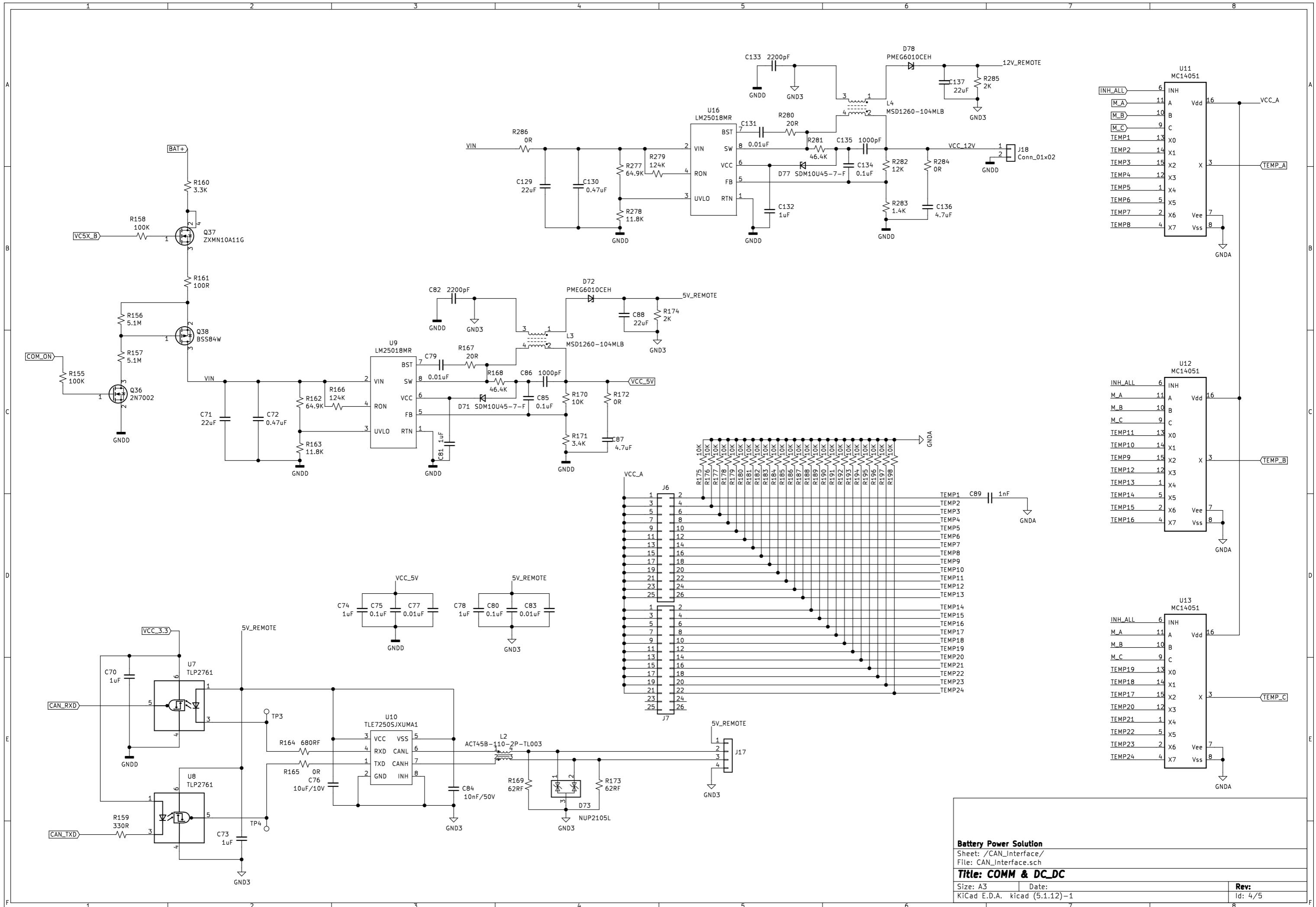


Sheet: /bottom_cell/
 File: bottom_cell.sch
Title: Bottom Module
 Size: A3 Date: _____
 KiCad E.D.A. kicad (5.1.12)-1 Rev: _____
 Id: 2/5

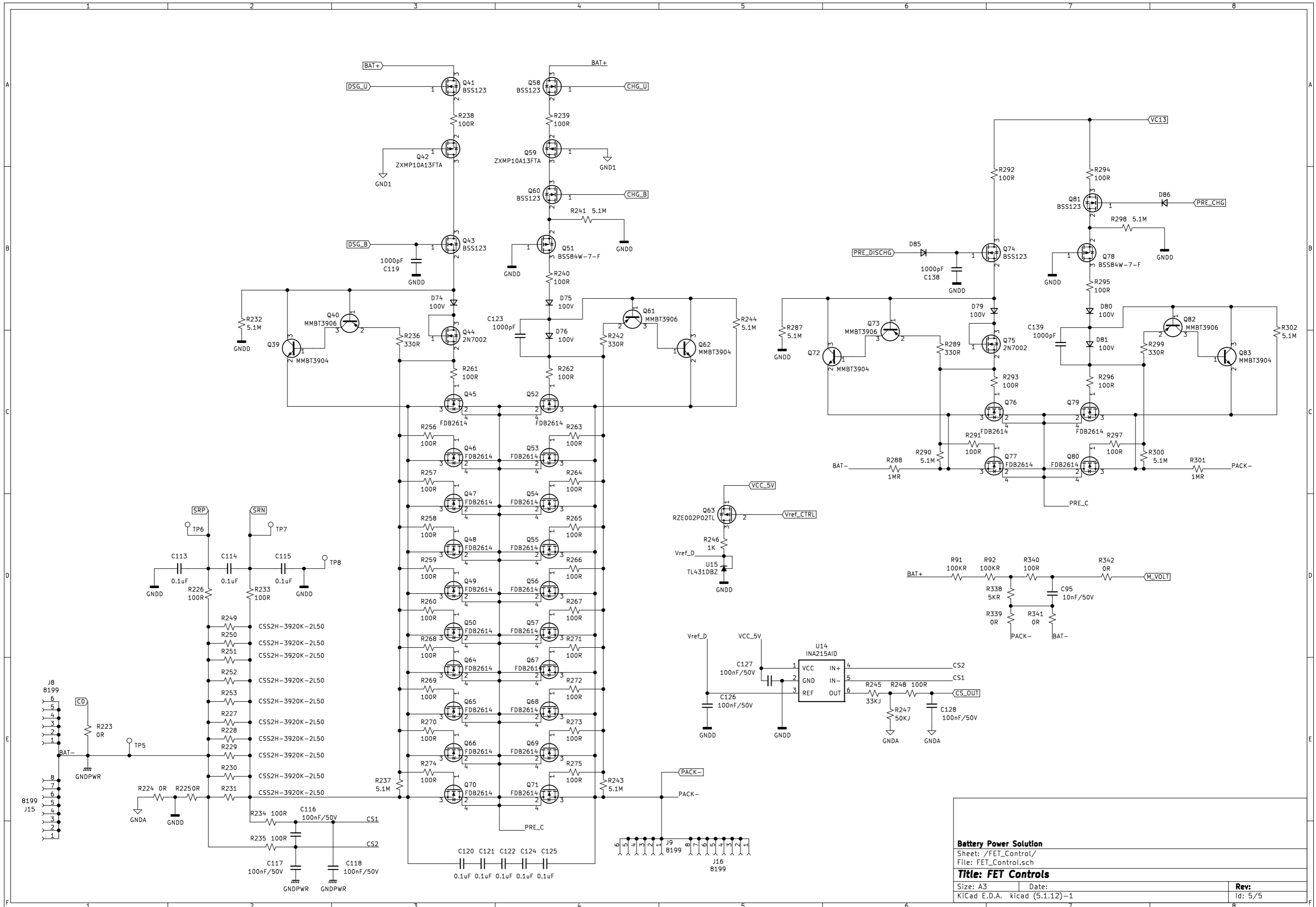


Battery Power Solution	
Sheet: /upper_cell/	
File: upper_cell.sch	
Title: Upper Cell	
Size: A3	Date:
KiCad E.D.A. kicad (5.1.12)-1	Rev: 3/5

C26	1
C25	2
C24	3
C23	4
C22	5
C21	6
C20	7
C19	8
C18	9
C17	10
C16	11
C15	12
C14	13
C13	14



Battery Power Solution			
Sheet: /CAN_Interface/			
File: CAN_Interface.sch			
Title: COMM & DC_DC			
Size: A3	Date:	Rev:	
KiCad E.D.A. kicad (5.1.12)-1		Id: 4/5	



Battery Power Solution		
Sheet: /FET_Control/		
File: FET_Control.sch		
Title: FET Controls		
Size: A3	Date:	Rev:
KiCad E.D.A. kicad (5.1.12)-1		Id: 5/5