

MINDRAY
TITLE half-bridge
Designed by Jiangbo

6

5

4

3

2

1

Security Classification:

Confidential

D

D

C

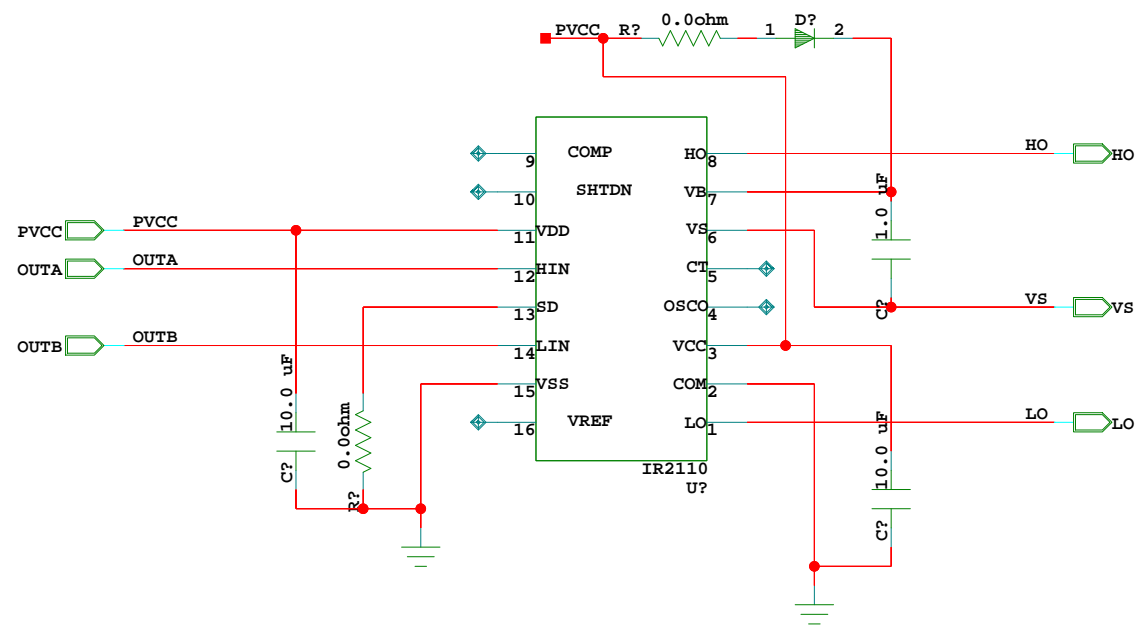
C

B

B

A

A



MINDRAY	
TITLE	driver-non-isolated
Designed by	Jiangbo

6

5

4

3

2

1