

4 Schematic

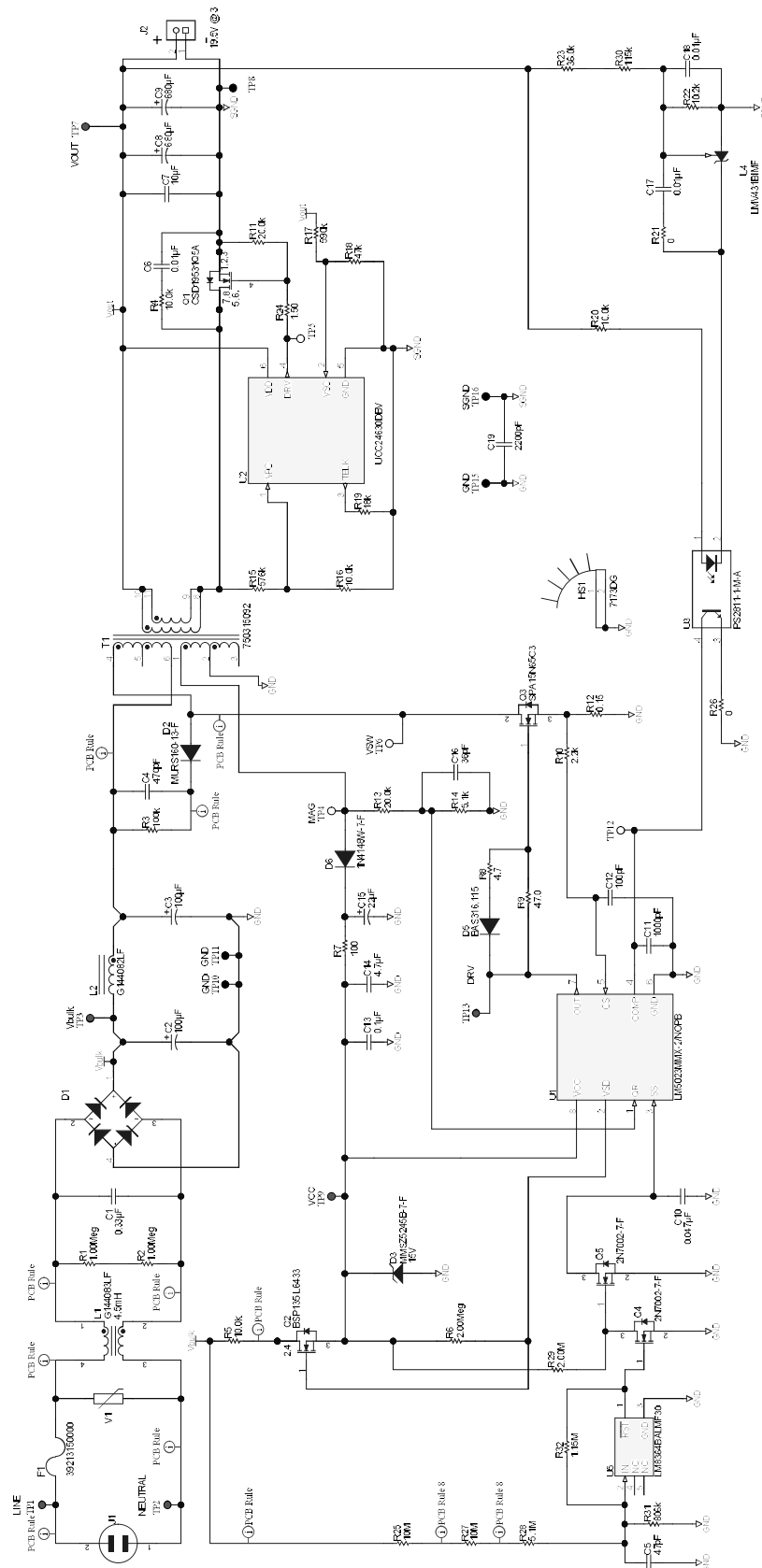


Figure 1. UCC24630EVM-636 Schematic