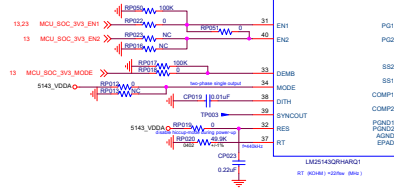
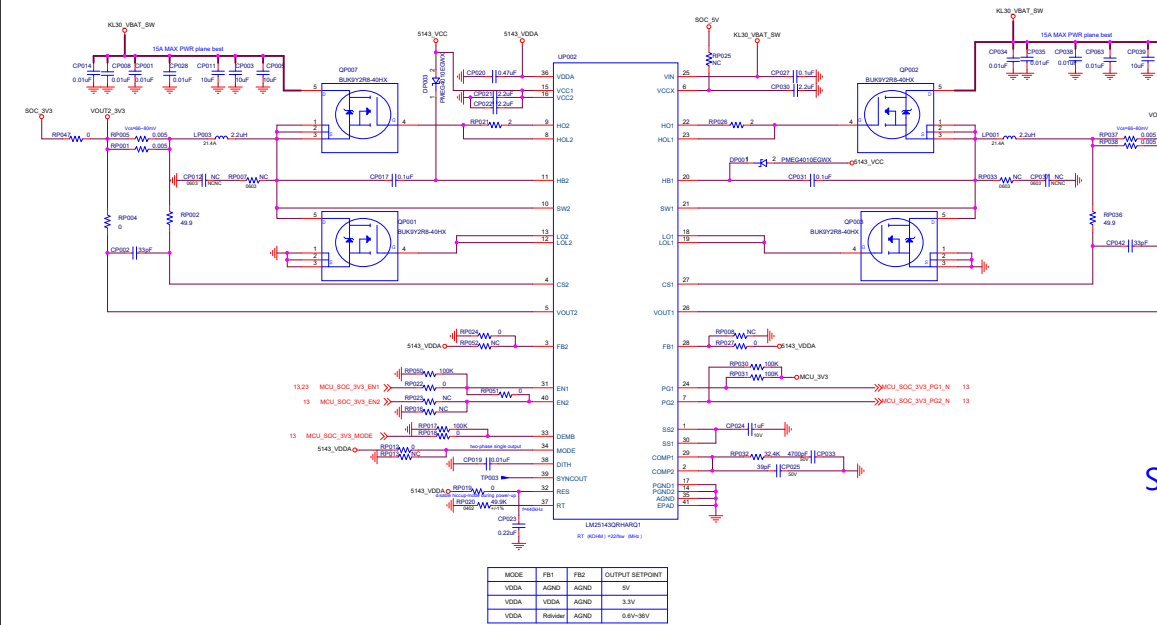
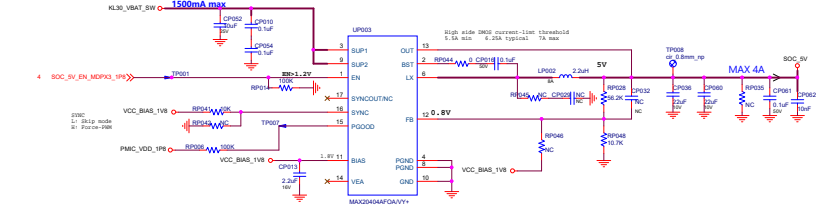


SOC 3V3 Power

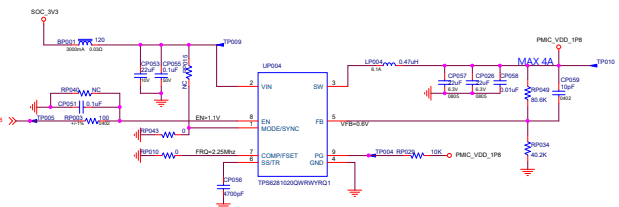


MODE	FB1	FB2	OUTPUT SETPOINT
VDDA	AGND	AGND	3V
VDDA	VDDA	AGND	3.3V
VDDA	FB3/AGND	AGND	0.6V-38V

SOC 5V Power



1V8 Power



Function safety