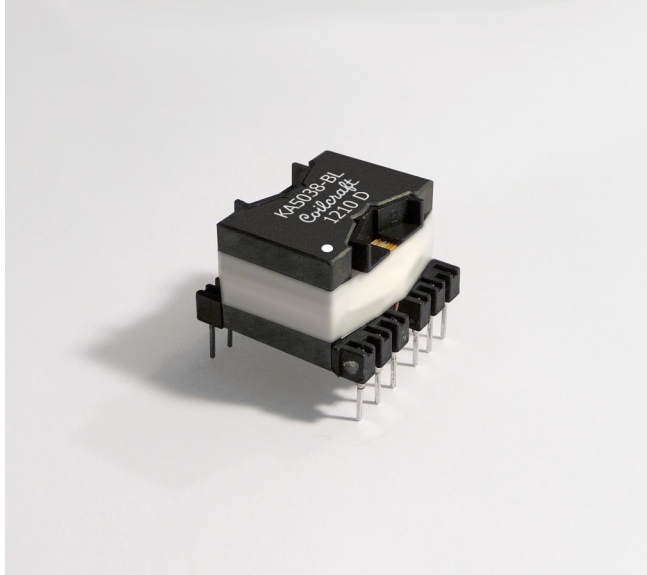


**NEW!**

# Flyback Transformer

For ON Semiconductor NCP1236  
Fixed Frequency PWM Controller



- Flyback transformer for ON Semiconductor NCP1236 Fixed Frequency PWM Controller
- Referenced on Akros Silicon Application Note AN006
- Universal input; 66 W output
- 3000 Vrms, one minute isolation from primary to secondary windings
- Copper shield minimizes EMI radiation

**Core material** Ferrite

**Terminations** RoHS tin-silver over tin over nickel over phos bronze. Other terminations available at additional cost.

**Weight** 60.2 g

**Ambient temperature** -40°C to +85°C

**Maximum part temperature** +125°C. (ambient + temp rise). [Derating](#).

**Storage temperature** Component: -40°C to +85°C.

Tray packaging: -40°C to +80°C

**Moisture Sensitivity Level (MSL)** 1 (unlimited floor life at <30°C / 85% relative humidity)

**Failures in Time (FIT) / Mean Time Between Failures (MTBF)**

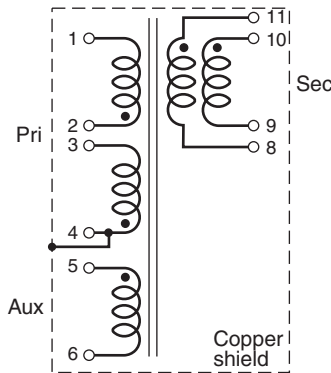
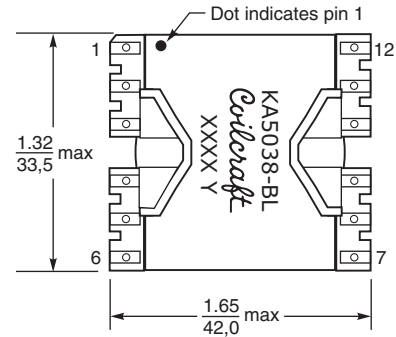
38 per billion hours / 26,315,789 hours, calculated per Telcordia SR-332

**Packaging** 36 per tray

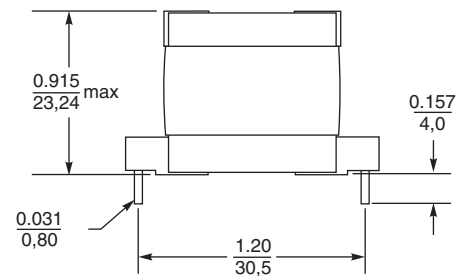
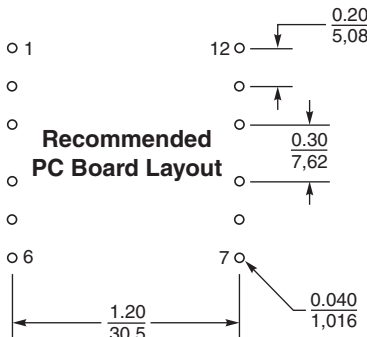
**PCB washing** Tested with pure water or alcohol only. For other solvents, see Doc787\_PCB\_Washing.pdf

Part number	Inductance at 0A <sup>1</sup> ±10% (µH)	Inductance at I <sub>pk</sub> <sup>2</sup> min (µH)	DCR max (Ohms) <sup>3</sup>			Leakage inductance <sup>4</sup> max (µH)	Turns ratio <sup>5</sup> pri:sec:aux	I <sub>pk</sub> <sup>2</sup> (A)	Output <sup>6</sup>
			pri	sec	aux				
KA5038-BL	560	480	0.198	0.007	0.236	5.6	1:0.188:0.156	2.8	19 V, 3.5 A

1. Inductance is measured at 50 kHz, 0.1 Vrms.
2. Peak primary current drawn at minimum input voltage.
3. DCR is with the primary windings connected in series and the secondary windings connected in parallel.
4. Leakage inductance is for both windings of the primary with the secondary windings shorted.
5. Turns ratios are with the primary windings connected in series and the secondary windings connected in parallel.
6. Output is with the secondary windings connected in parallel. Output of the aux winding is 15.5V V, 20 mA.
7. Electrical specifications at 25°C.



Primary windings to be connected in series and secondary windings to be connected in parallel on PCB board.



Dimensions are in  $\frac{\text{inches}}{\text{mm}}$



www.coilcraft.com

**US** +1-847-639-6400 sales@coilcraft.com  
**UK** +44-1236-730595 sales@coilcraft-europe.com  
**Taiwan** +886-2-2264 3646 sales@coilcraft.com.tw  
**China** +86-21-6218 8074 sales@coilcraft.com.cn  
**Singapore** + 65-6484 8412 sales@coilcraft.com.sg

Document 914 Revised 04/24/12

© Coilcraft Inc. 2016

This product may not be used in medical or high risk applications without prior Coilcraft approval. Specification subject to change without notice. Please check web site for latest information.