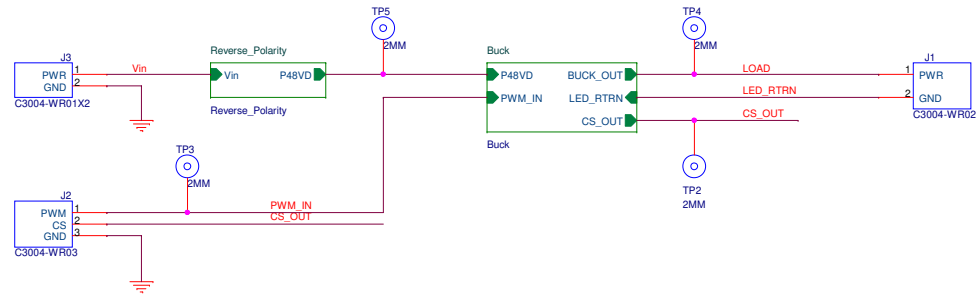


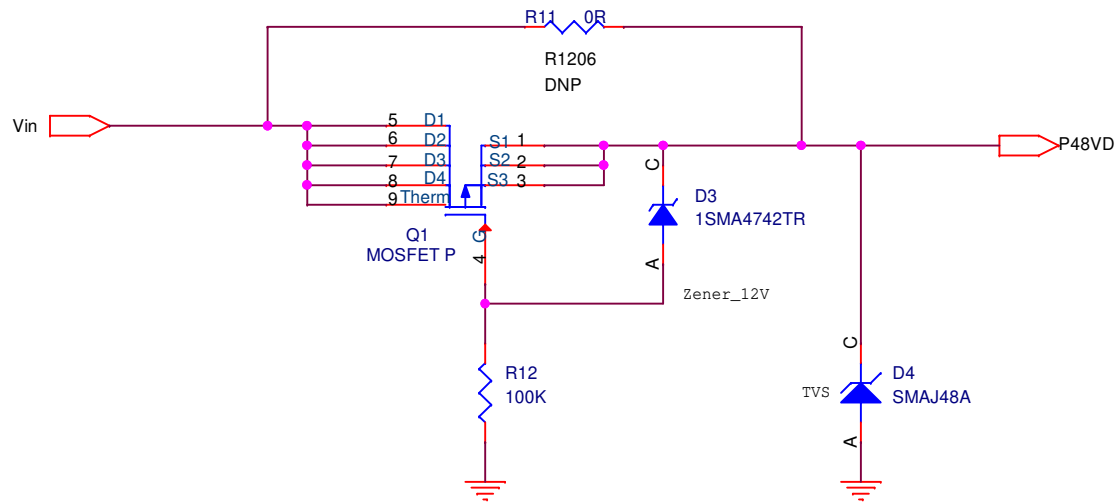
REVISIONS			
LTR	DESCRIPTION	DATE	APPROVED
1.0	ENG. RELEASE JL_PC000191		



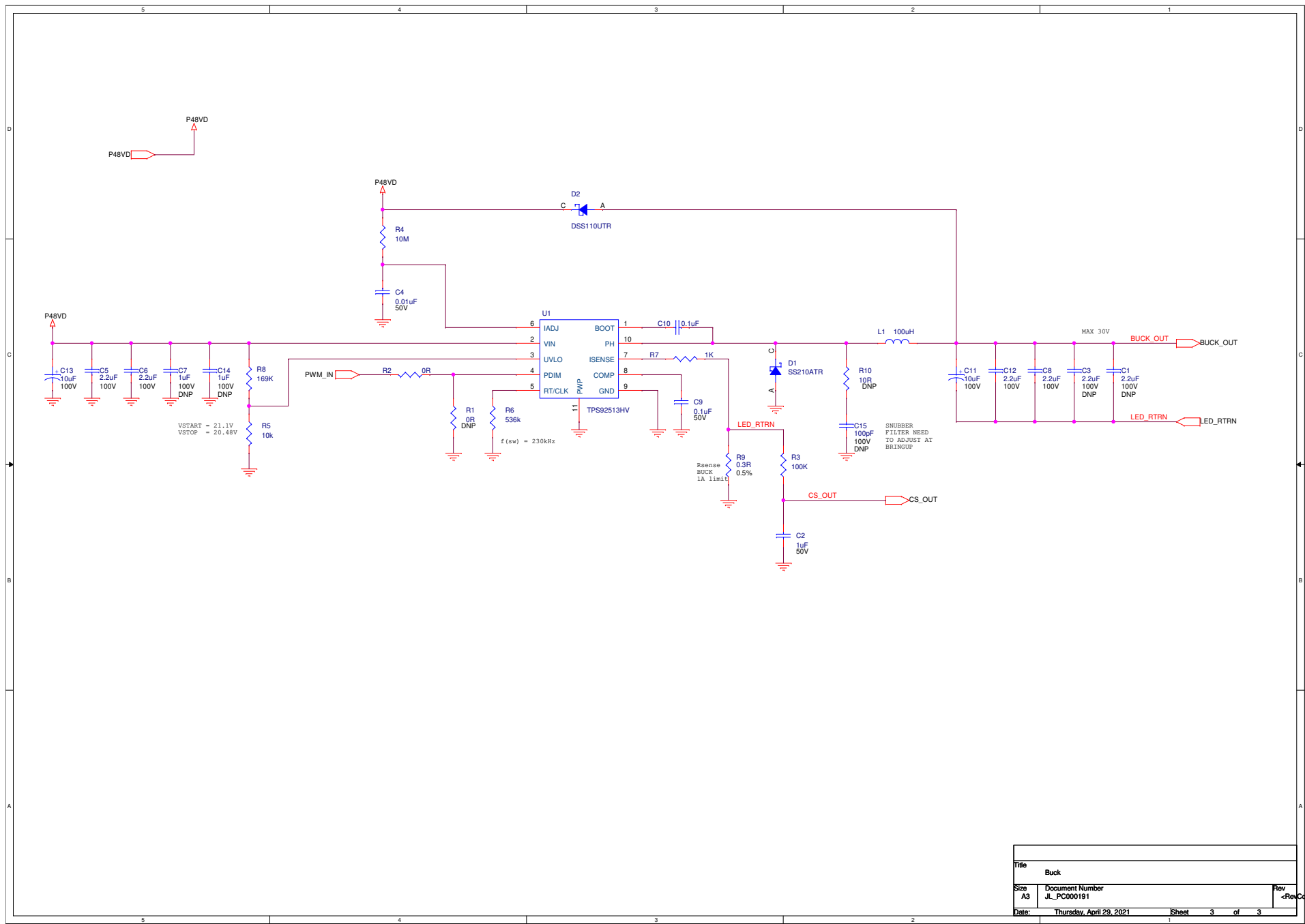
- FD4 fiducial
- FD3 fiducial
- MECH3 M3
- TP6 2MM
- TP1 2MM
- FD5 fiducial
- FD6 fiducial
- MECH1 M3
- FD1 fiducial
- FD7 fiducial
- MECH2 M3
- FD2 fiducial
- MECH4 M3

Drawn: Aviv Frishman
 Checker:
 Approved:

<Variant Name>			
Title LED Driver Block Diagram			
Size A3	Document Number JL_PC000191	Rev 1.0	
Date: Tuesday, March 16, 2021	Sheet 1	of 3	



Title		
Reverse Polarity		
Size	Document Number	Rev
A	JL_PC000191	<Rev C
Date:	Tuesday, March 16, 2021	Sheet 2 of 3



Title		Buck
Size	Document Number	Rev
A3	JL_PC000191	
Date:	Thursday, April 29, 2021	Sheet 3 of 3