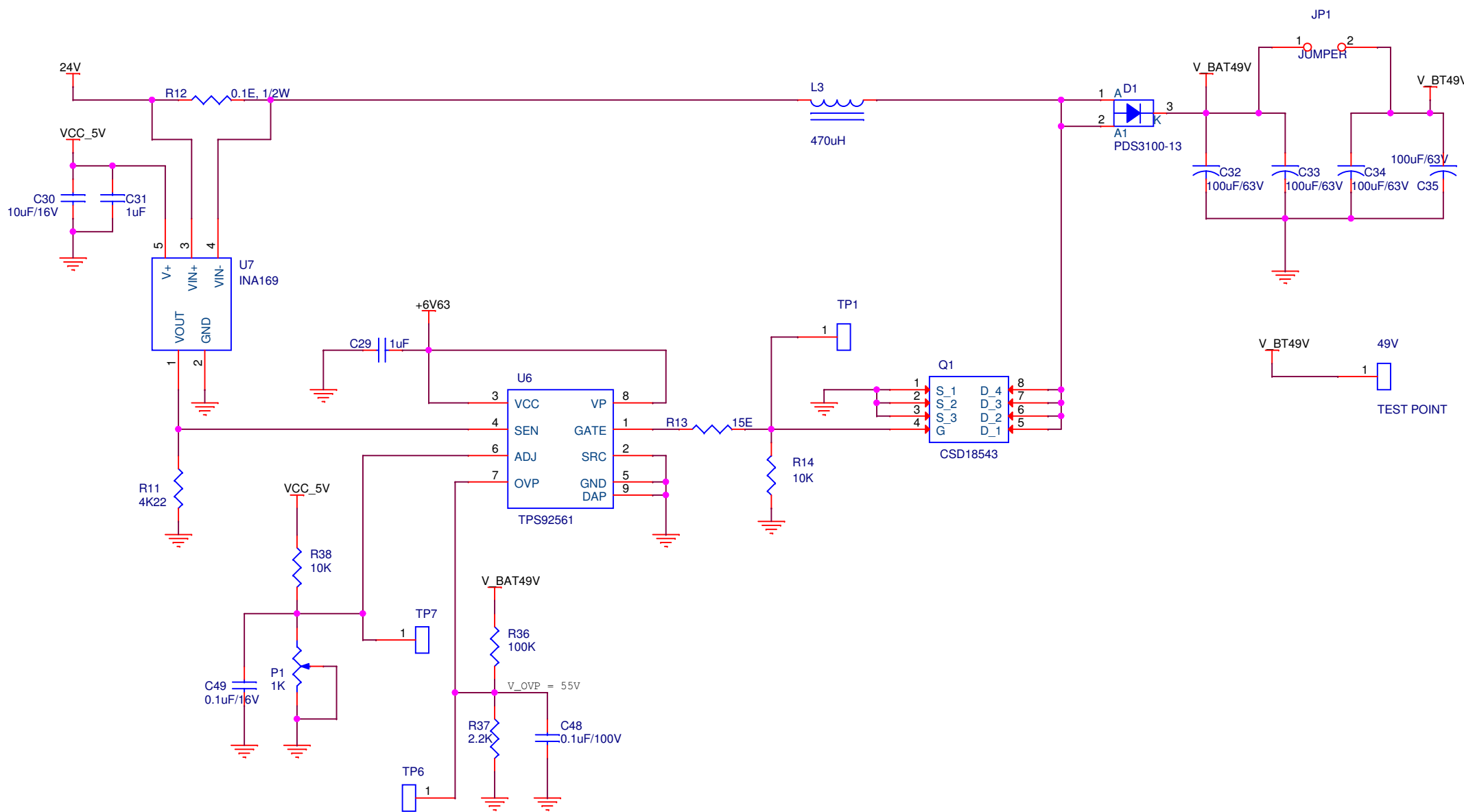
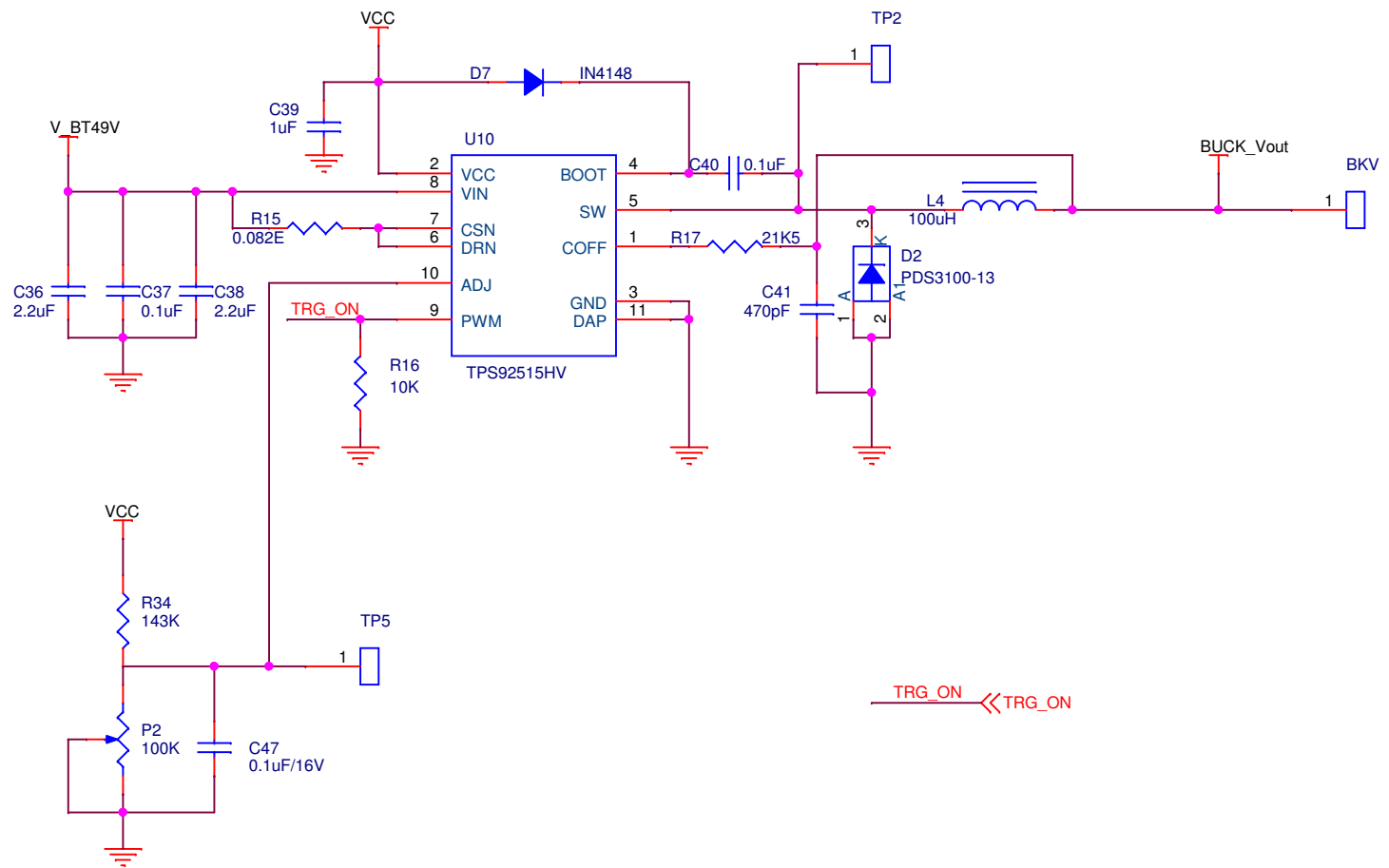


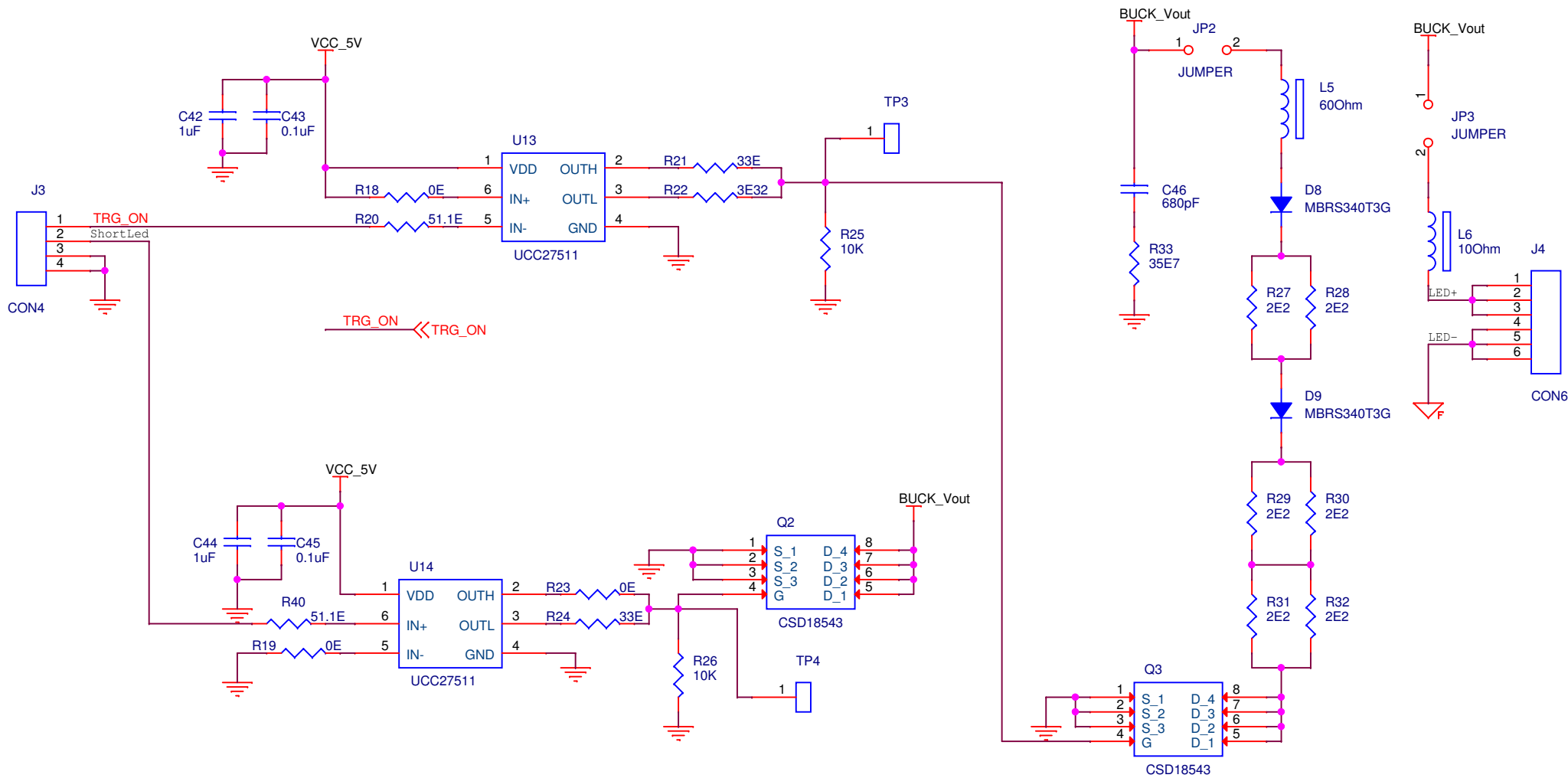
Title		
<Title>		
Size	Document Number	Rev
A4	<Doc>	0.0
Date:	Tuesday, June 02, 2020	Sheet 1 of 1



Title		
<Title>		
Size	Document Number	Rev
A4	<Doc>	0.0
Date:	Tuesday, June 02, 2020	Sheet 1 of 1



Title		
<Title>		
Size	Document Number	Rev
A4	<Doc>	0.0
Date:	Tuesday, June 02, 2020	Sheet 1 of 1



Title		
<Title>		
Size	Document Number	Rev
A4	<Doc>	0.0
Date:	Tuesday, June 02, 2020	Sheet 1 of 1