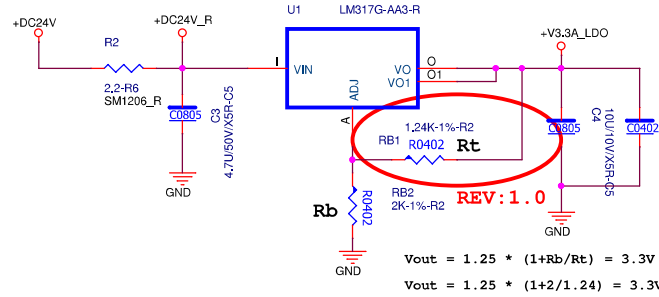
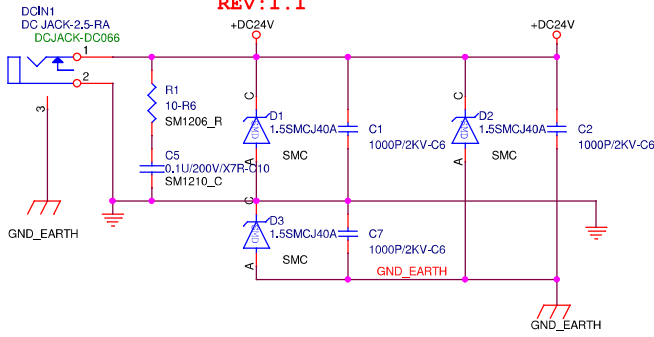


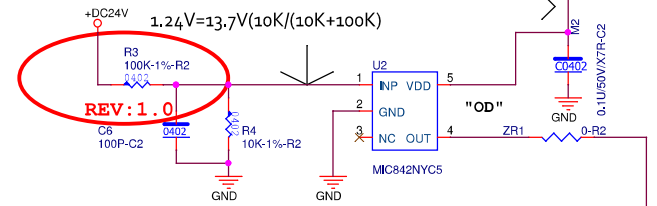
# DC 24V Input

REV: 1.1



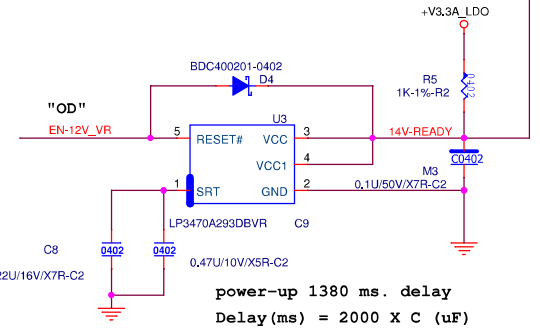
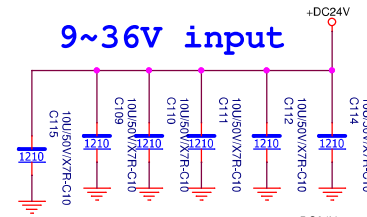
\*\*\*Power ON when +DC24V> 8.7V

Detect Voltage over 13.7V

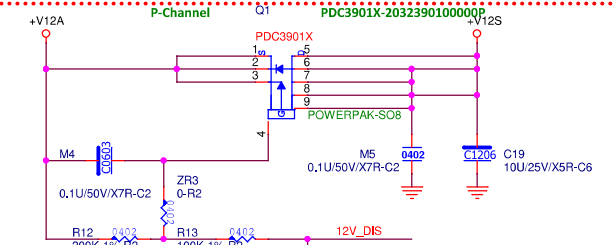


R11  
LP3470IM5-2.93/NOBP chane to LP3470A293DBVR

## 9~36V input

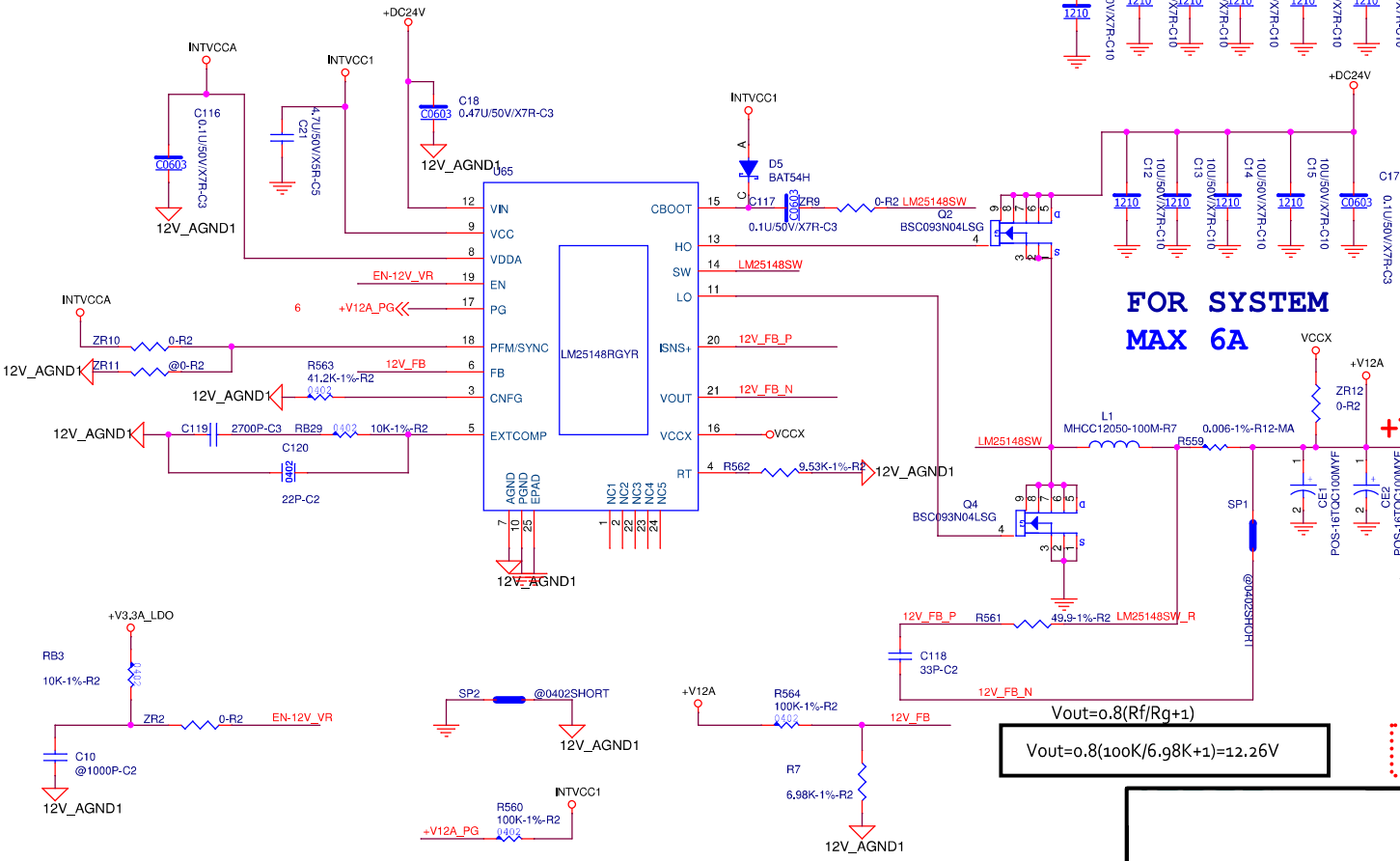


R11  
SI7145DP-T1-GE3 or PDC3901X chane to PDC3901X



## FOR SYSTEM MAX 6A

+V12A = 12V



R11  
2N7002W chane to 2N7002KW

