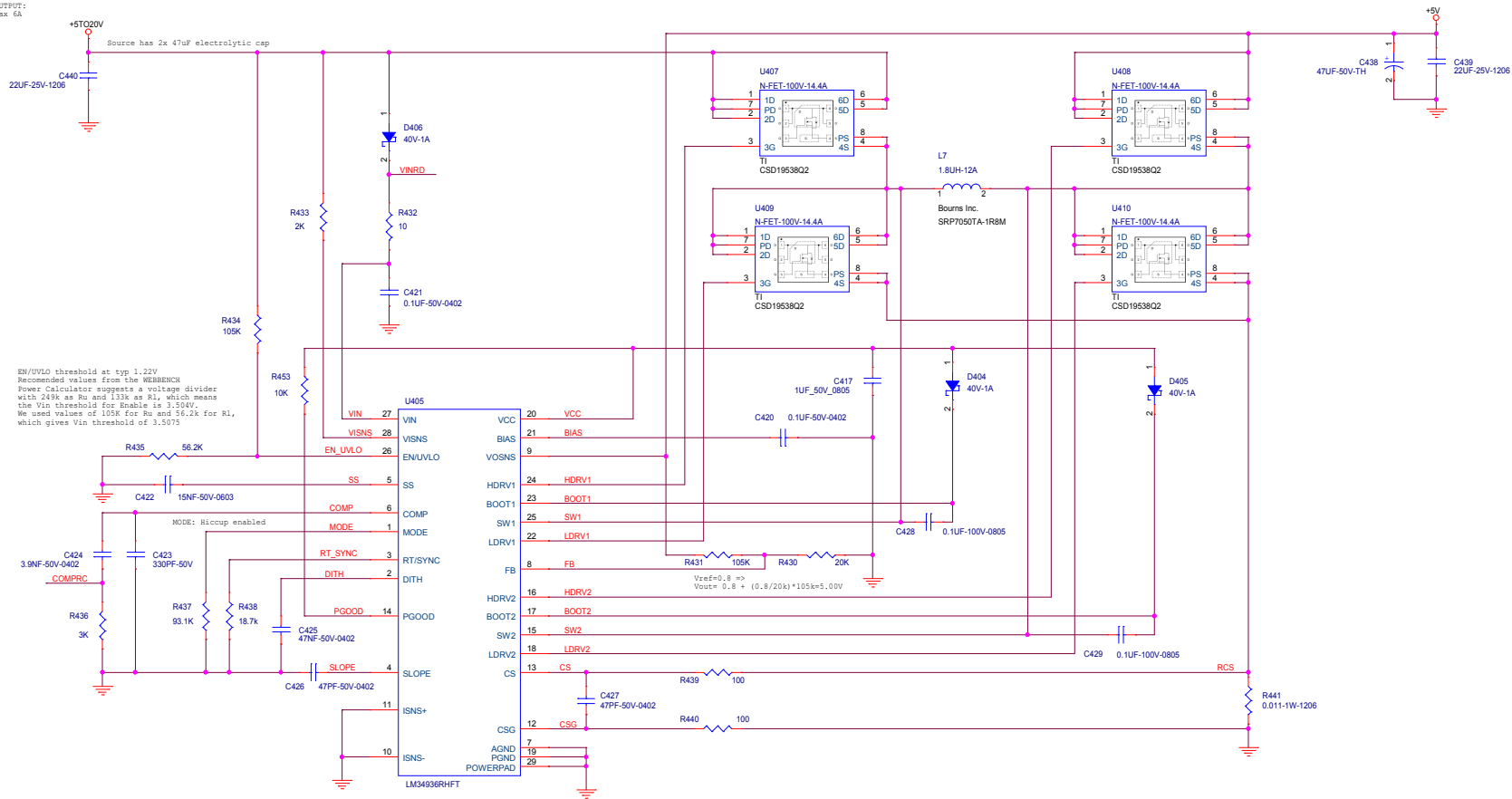


03-POWER

DC-DC Buck & Boost Regulator

POWER INPUT:
Input can range from 4.5V to 20V and max power 3A.

POWER OUTPUT:
5V at max 6A



Title		<Title>
Size	Document Number	Rev
C	<Doc>	A
Date:	Tuesday, February 20, 2024	Sheet 3 of 6