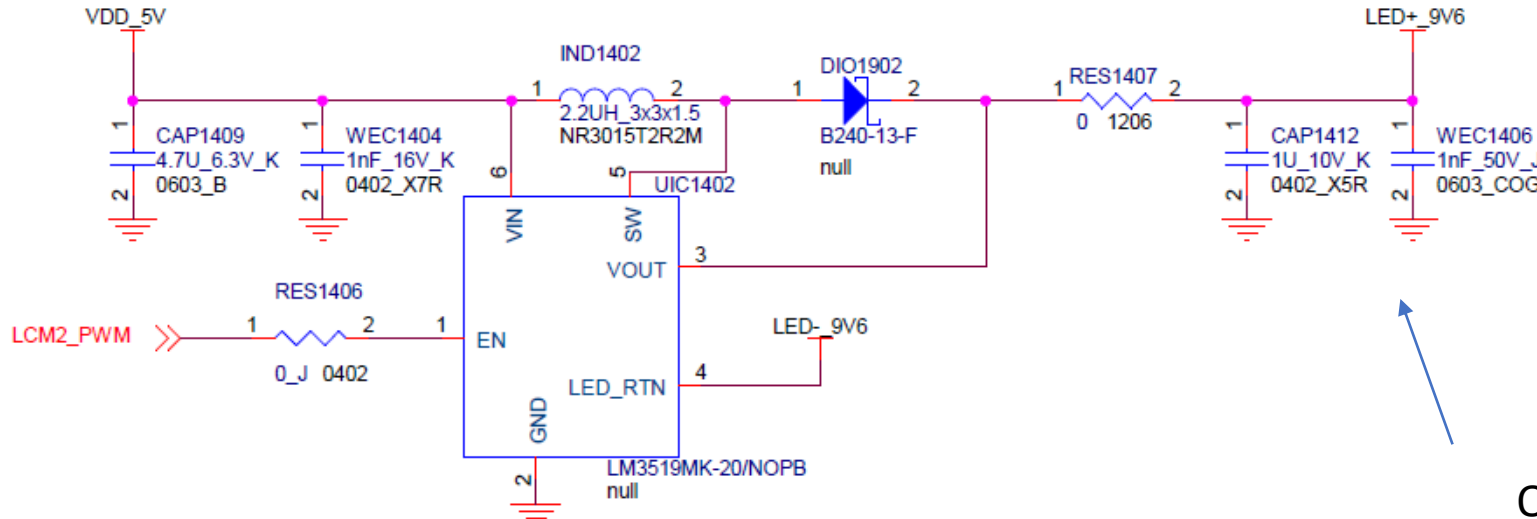
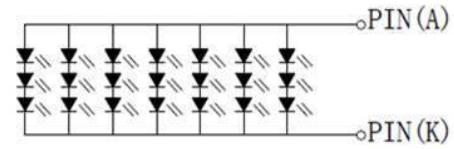


Vin=5V



Output LED Spec:
9.6V/140mA

7. Backlight Characteristics.



电路原理图:

(If=140mA, Vf=9.6V)

Item	Symbol	MIN	TYP	MAX	UNIT	Test Condition	Note
Supply Voltage	Vf	--	9.6	--	V	If=140mA	-
Supply Current	If	--	140	--	mA		-
Uniformity for LCM	--	--	80	--	%		-
Life Time	--	--	--	--	Hr		-
Backlight Color	White						