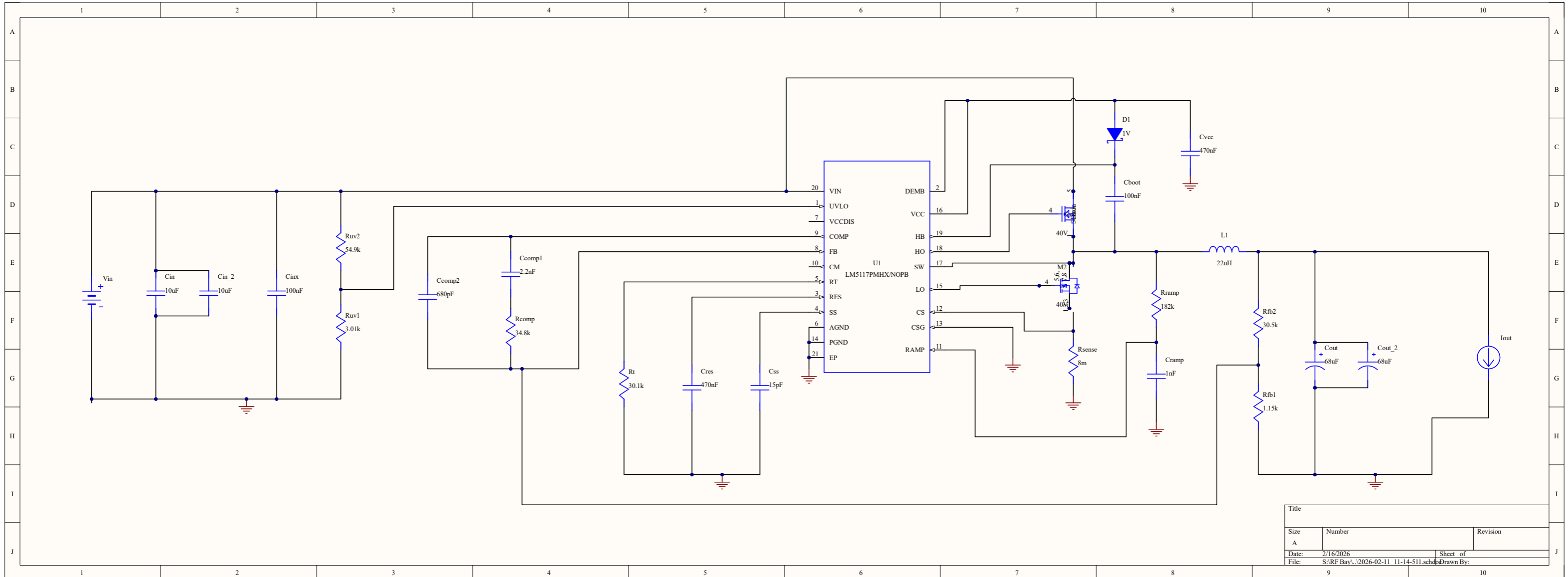


Title		
Size	Number	Revision
A		
Date:	2/16/2026	Sheet of
File:	C:\Users\...2026-02-11 11-14-511.schdoc	Drawn By:



Title		
Size	Number	Revision
A		
Date:	2/16/2026	Sheet of
File:	S:\RF Bay\2026-02-11 11-14-511.sch	Drawn By: