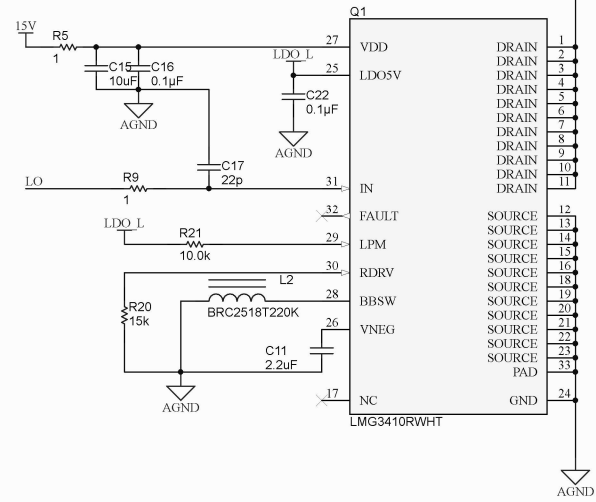
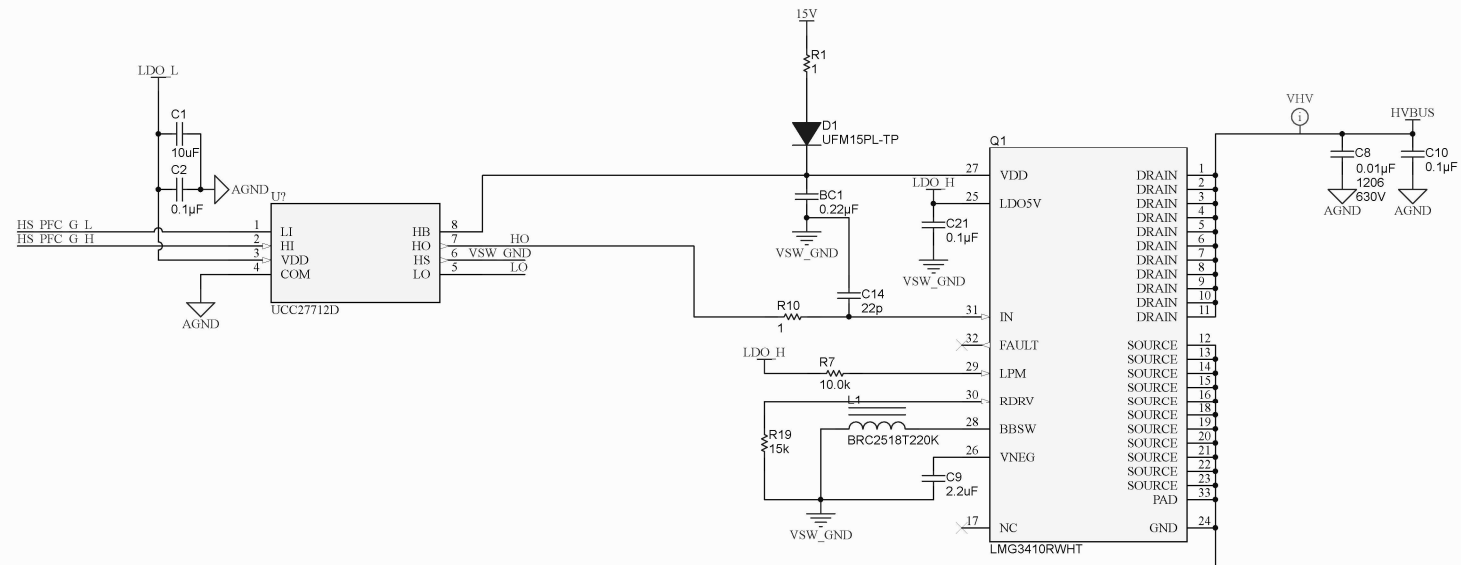


A

B

C

D



Title		
Size	Number	Revision
A3		
Date:	2022/11/1	Sheet of
File:	C:\Users\...ROHM_Ref_Totem Pole PFC\...LMG3410RWHT_UCC27712.Sch.D	