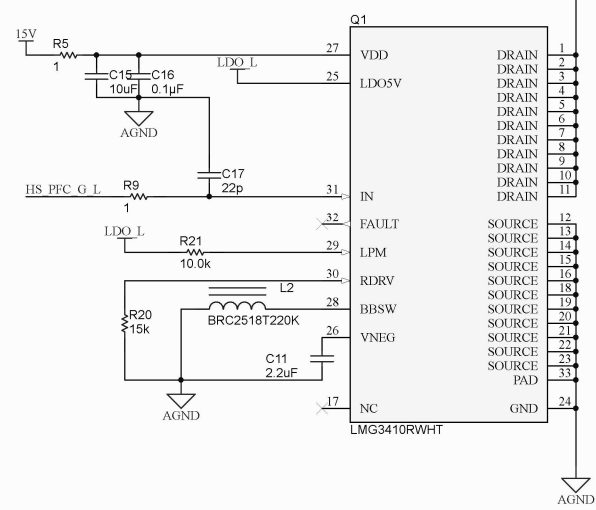
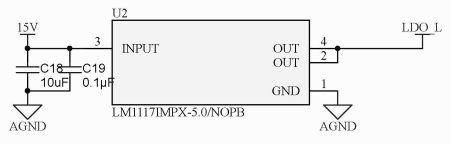
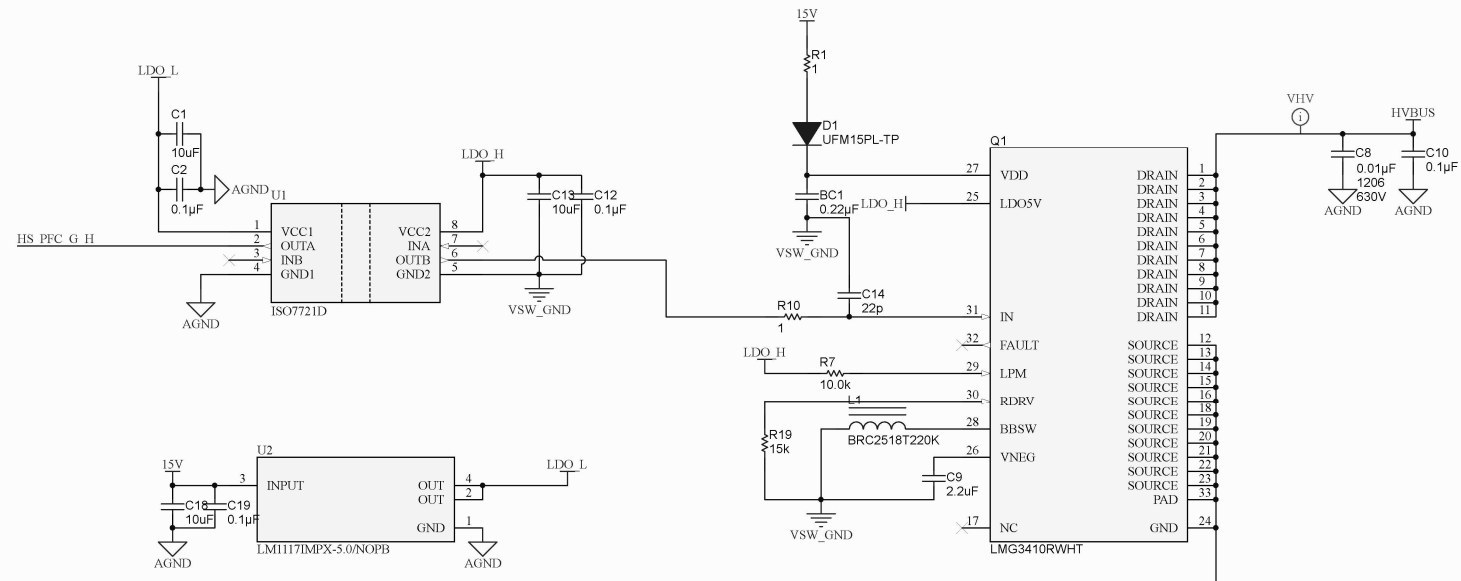


A

B

C

D



Title		
Size	Number	Revision
A3		
Date:	2022/11/1	Sheet of
File:	C:\Users\AROHHM_Ref_Totem Pole PFC\Documents\GEMJET_LMG3410RWHIT_SchDoc	