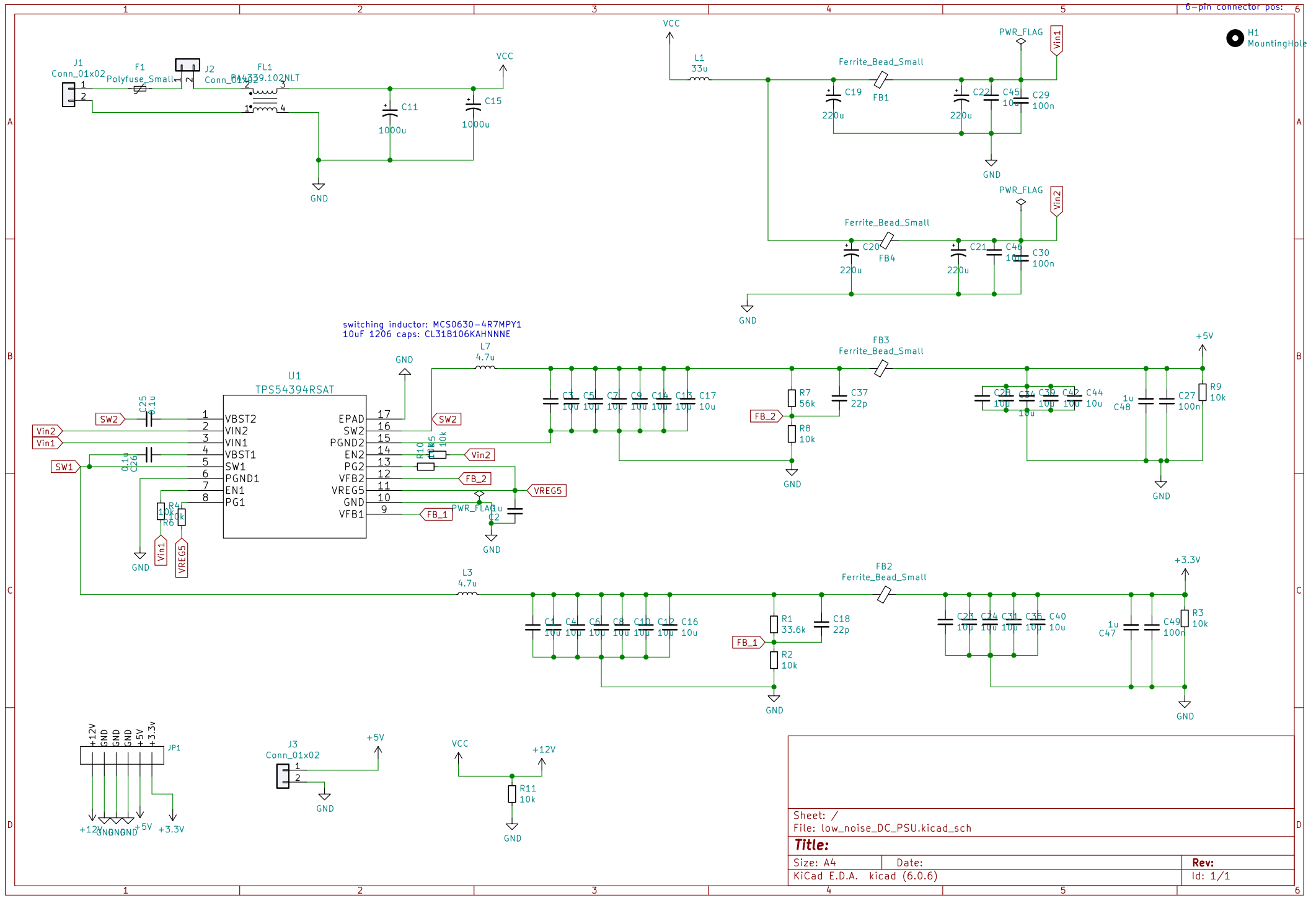


hole_pos:
95.706
132.762

6-pin connector pos:



switching inductor: MCS0630-4R7MPY1
10uF 1206 caps: CL31B106KAHNNNE

Sheet: /	
File: low_noise_DC_PSU.kicad_sch	
Title:	
Size: A4	Date:
KiCad E.D.A. kicad (6.0.6)	Rev:
	Id: 1/1