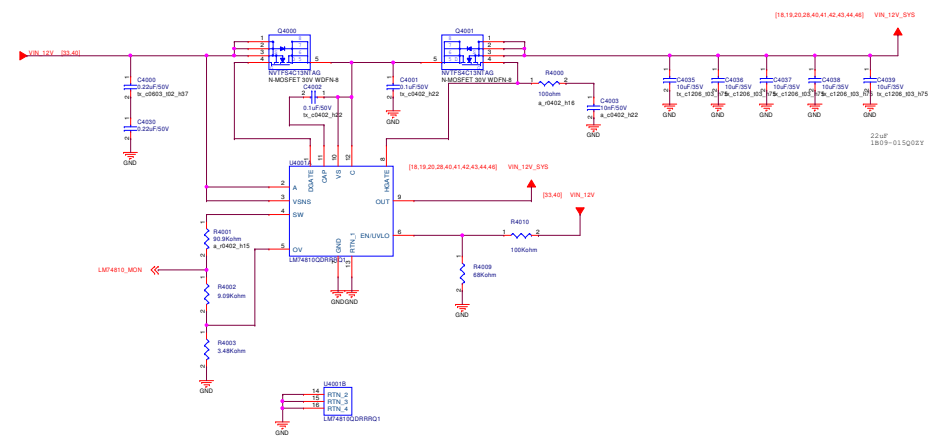
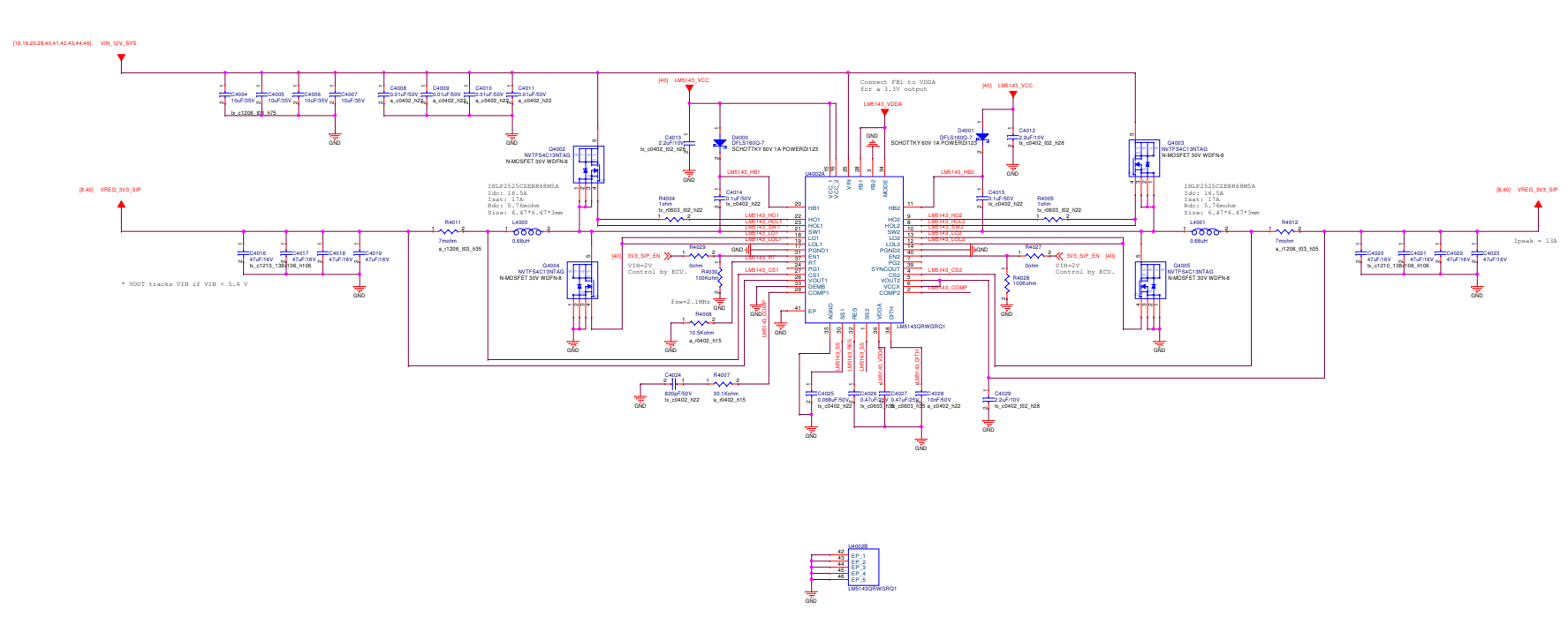


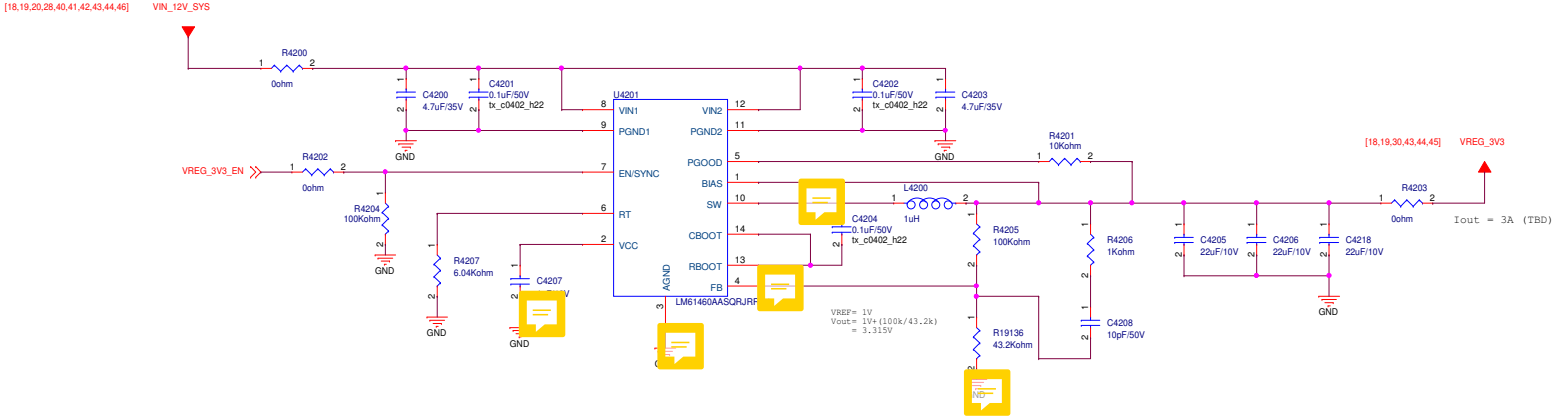
# 12VIN OVP Protection



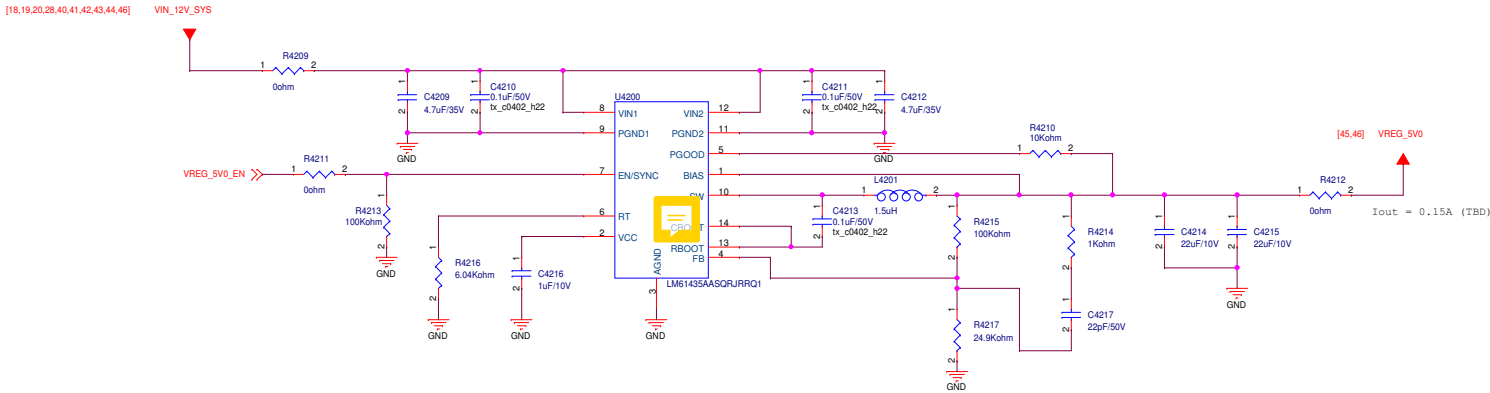
# 12V to 3V3 BUCK CONTROLLER



# SYSTEM VREG\_3V3

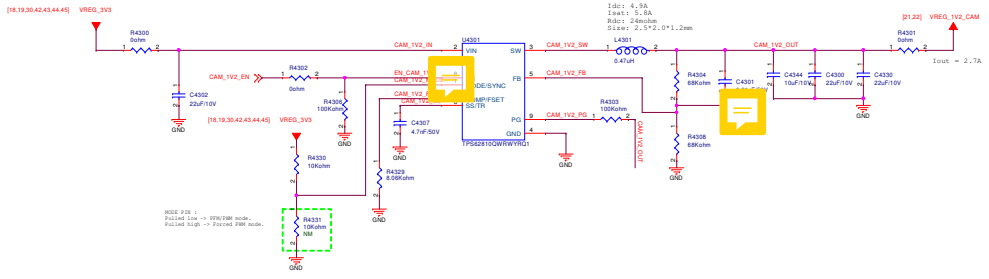


# SYSTEM VREG\_5V0

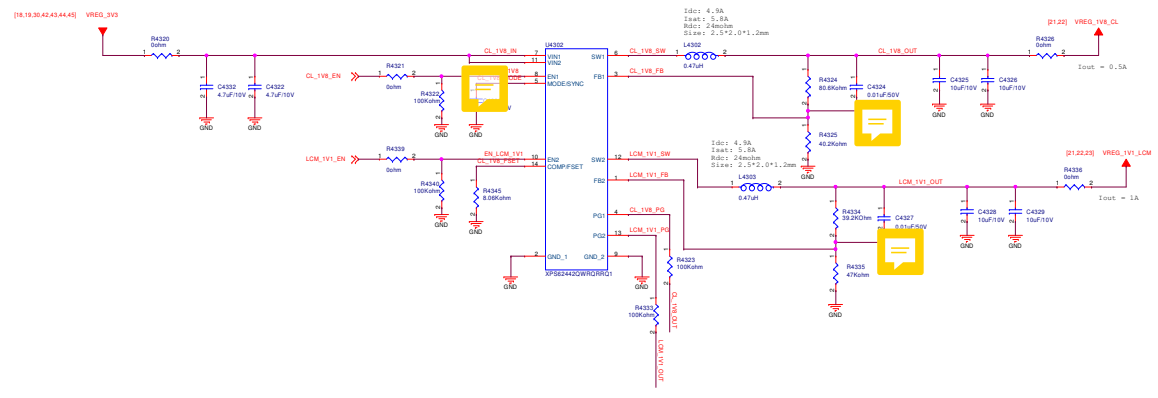


# CAMERA

## VREG\_3V3 to 1V2

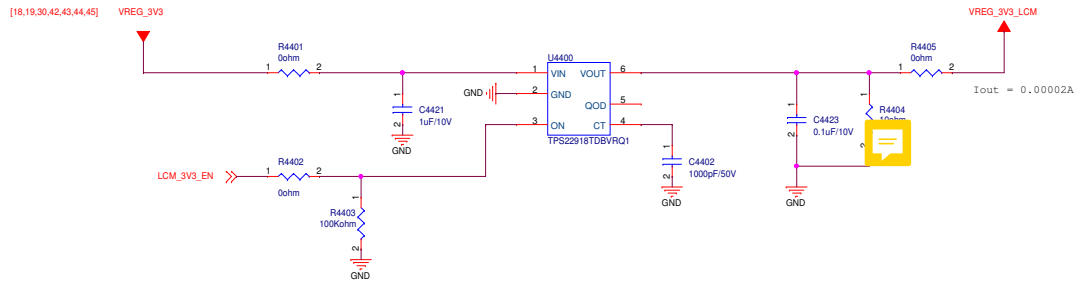


# VREG\_3V3 to 1V8 / 1V1



# DISPLAY

## Power switch 3V3



**A2B**  
**VREG\_5V0\_A2B**

