

6

5

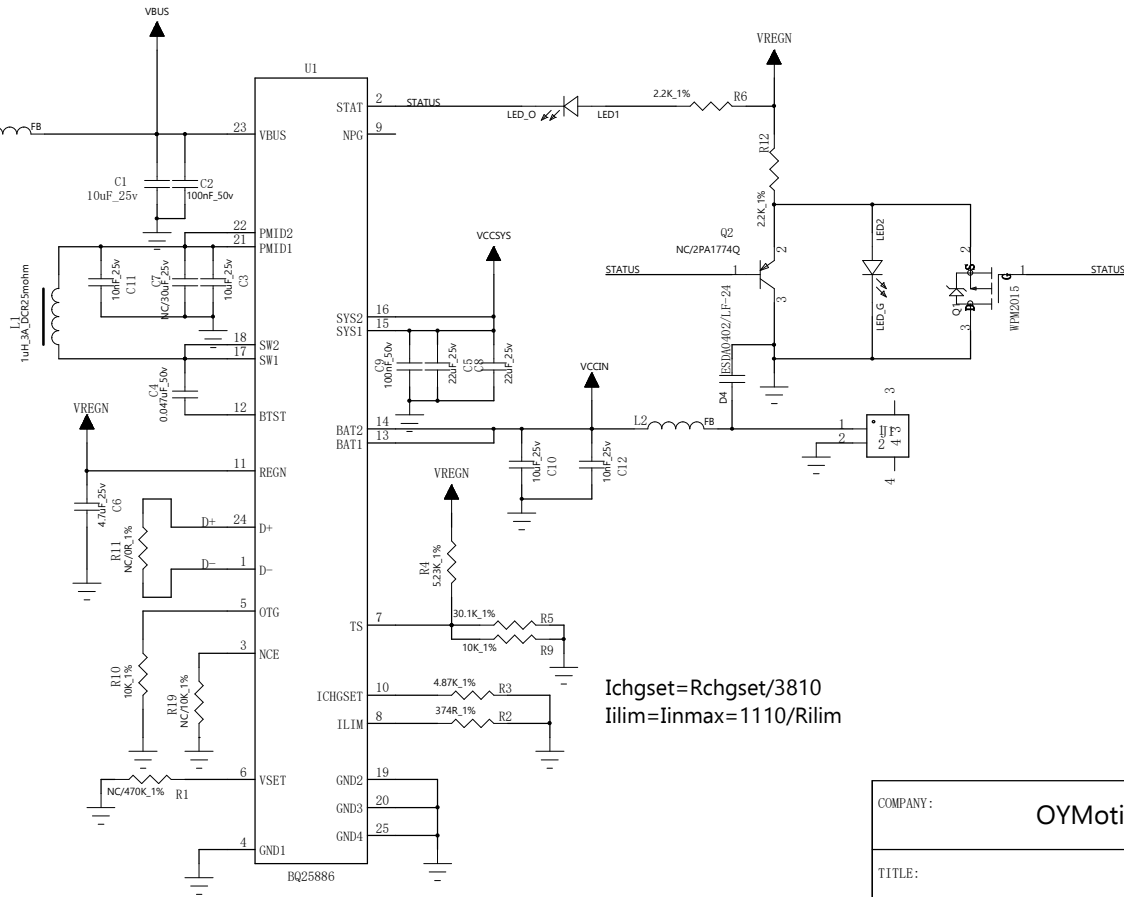
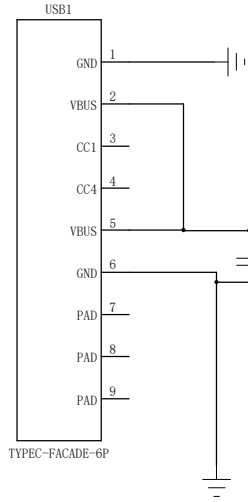
4

3

2

1

### Typec-6P



Ichgset=Rchgset/3810  
 Iilim=Iinmax=1110/Rilim

| REVISION RECORD |         |           |       |
|-----------------|---------|-----------|-------|
| LTR             | ECO NO: | APPROVED: | DATE: |
|                 |         |           |       |
|                 |         |           |       |
|                 |         |           |       |

|   |       |             |               |
|---|-------|-------------|---------------|
| COMPANY: OYMotion Technologies Co., Ltd |       |             |               |
| TITLE: CHARGER                          |       |             |               |
| CODE:                                   | SIZE: | DRAWING NO: | REV:          |
|   | B     | Page1       | 0.1           |
| SCALE:                                  |       |             | SHEET: 1 OF 1 |

|                  |            |        |            |
|------------------|------------|--------|------------|
| DRAWN:           | Weiguo Zhu | DATED: | 2022/07/20 |
| CHECKED:         |            | DATED: |            |
| QUALITY CONTROL: |            | DATED: |            |
| RELEASED:        |            | DATED: |            |

D

C

B

A

D

C

B

A