
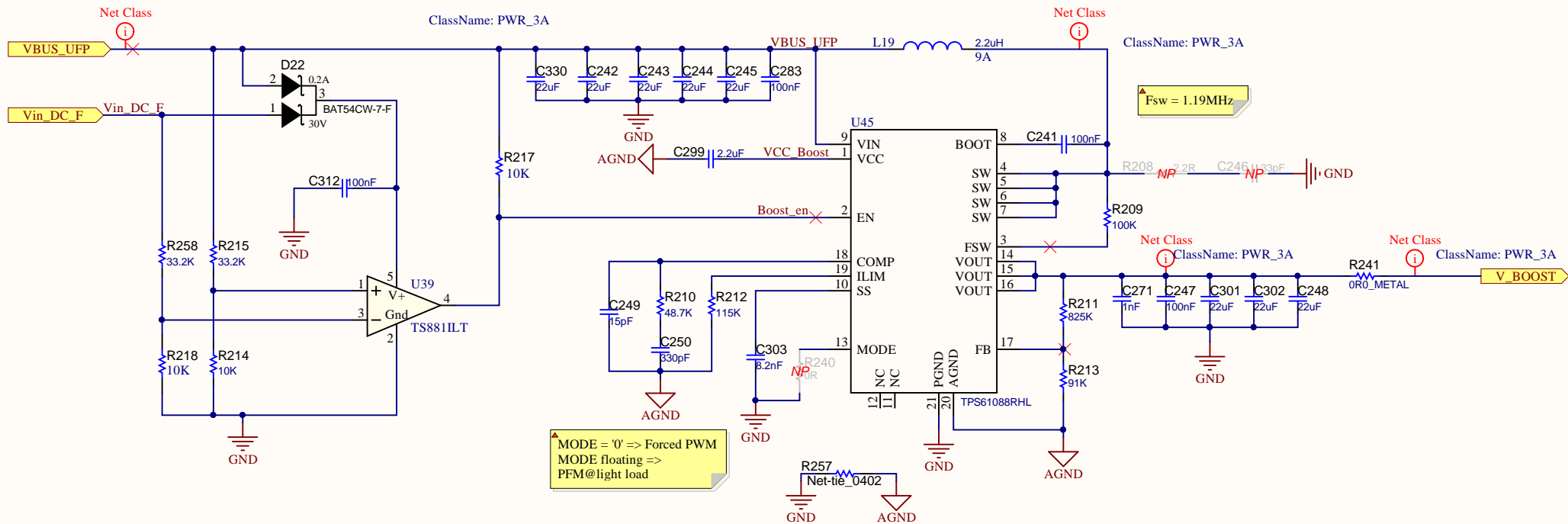


Cellebrite 94 Em Hamoshavot St. Petah Tikva 49130 Israel		 deliverina mobile expertize	
Drawn:	Ehud L.	Title	
Checked:	Leonid W.	Local DC2DC-5V, 3.3V, 1.1V	
Approved:	David Biran		
Date:	03/12/2017	Number:	A-EAB-02-001
Size:	A4	Revision:	2.1.1 Sheet 3 of 23
File: Power-Buck.SchDoc			



Cellebrite 94 Em Hamoshavot St. Petah Tikva 49130 Israel			
Drawn:	Ehud L.	Title	
Checked:	Leonid W.	5V to 12V boost	
Approved:	David Biran		
Date:	03/12/2017	Number:	A-EAB-02-001
Size:	A4	Revision:	2.1.1 Sheet 4 of 23
File: Power-Boost-12V.SchDoc			