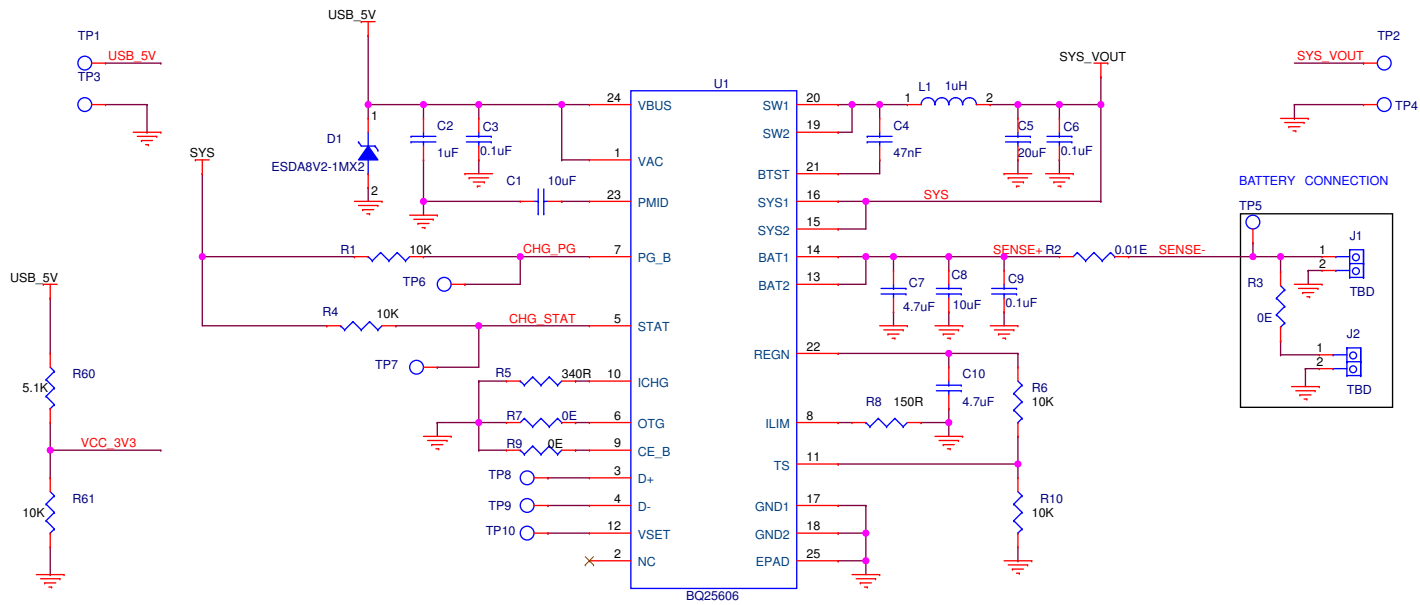
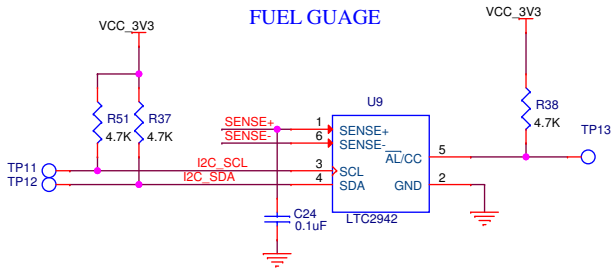


CHARGE MANAGEMENT CONTROLLER

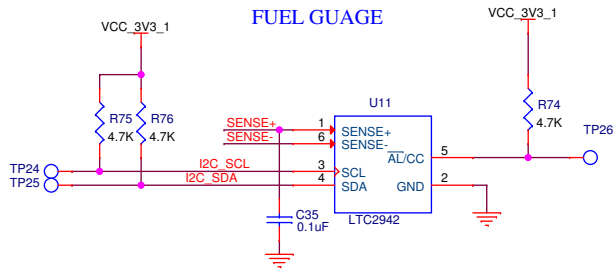
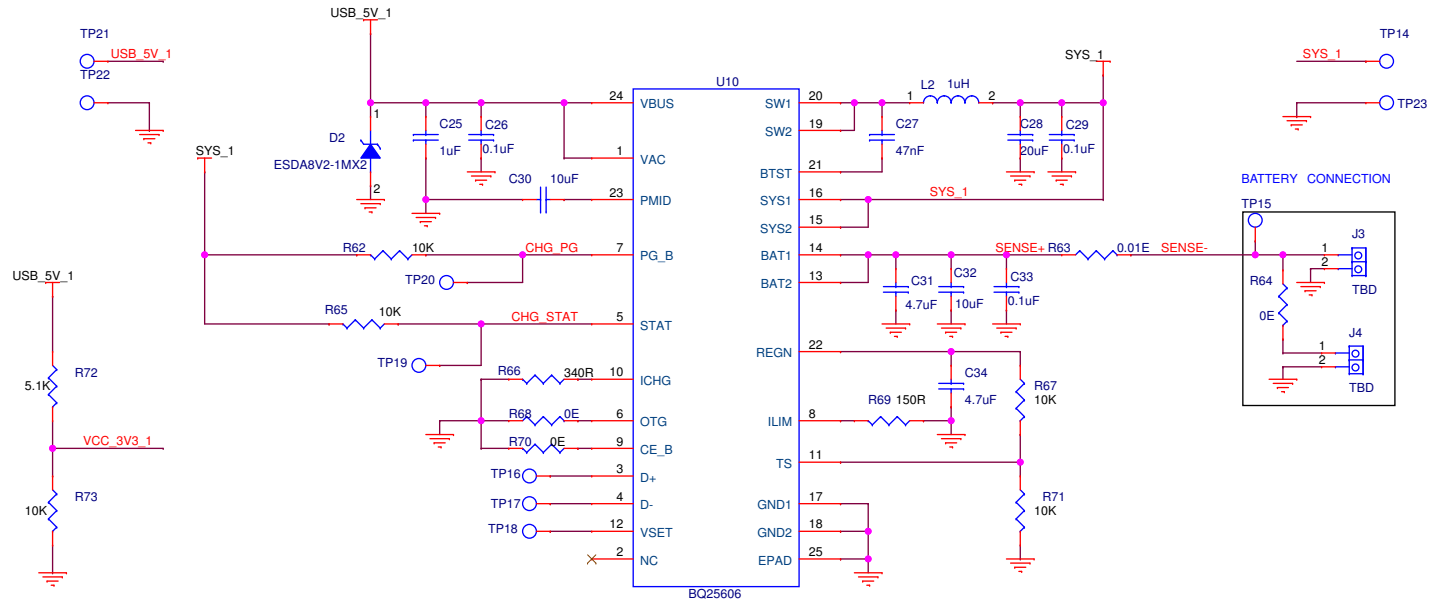


FUEL GAUGE



Title	<Title>	
Size	Document Number	Rev
B	<Doc>	<RevCod
Date:	Tuesday, November 05, 2019	Sheet 1 of 1

CHARGE MANAGEMENT CONTROLLER



Title	<Title>	
Size	Document Number	Rev
B	<Doc>	<RevCod
Date:	Tuesday, November 05, 2019	Sheet 1 of 1