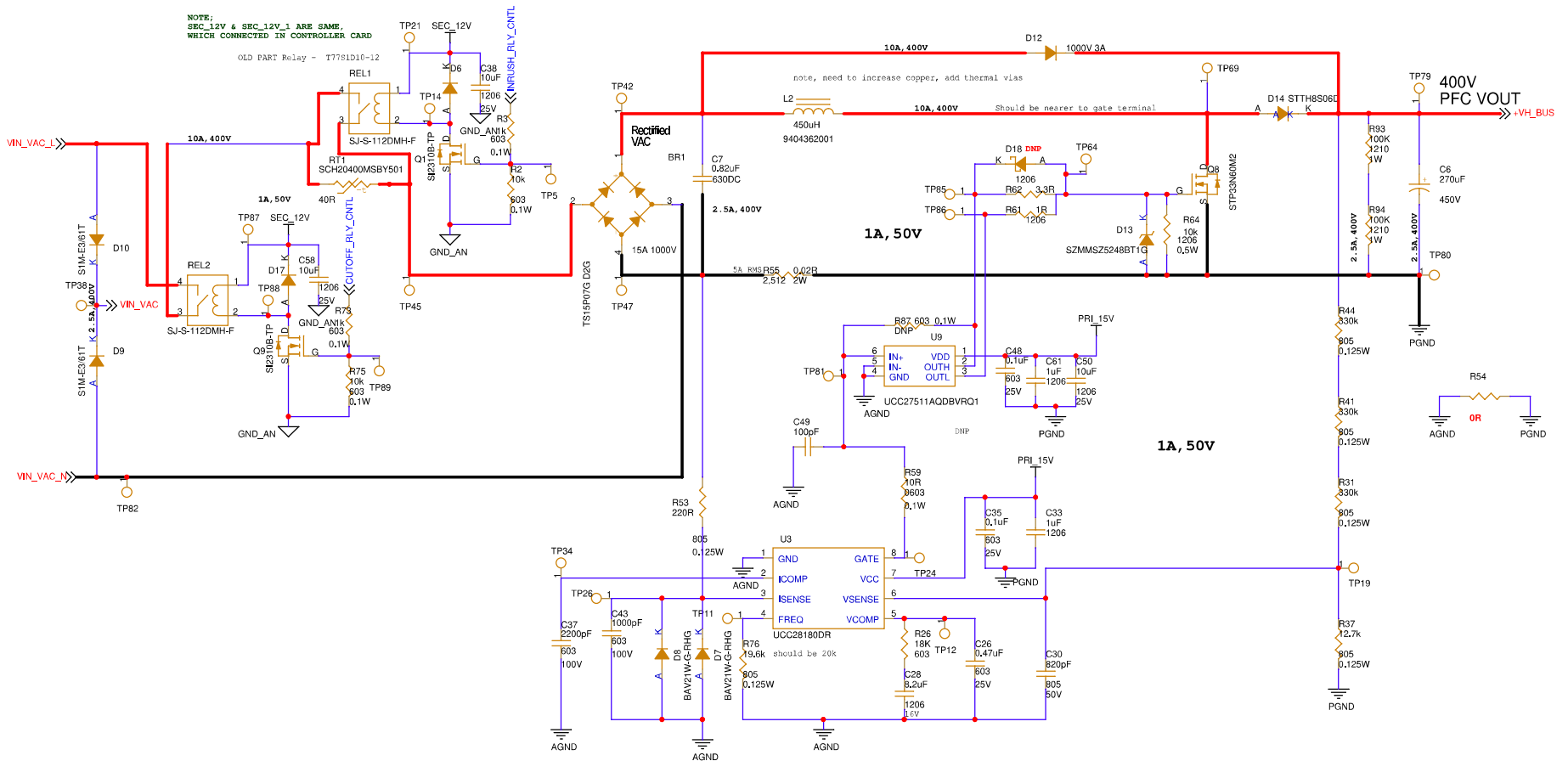
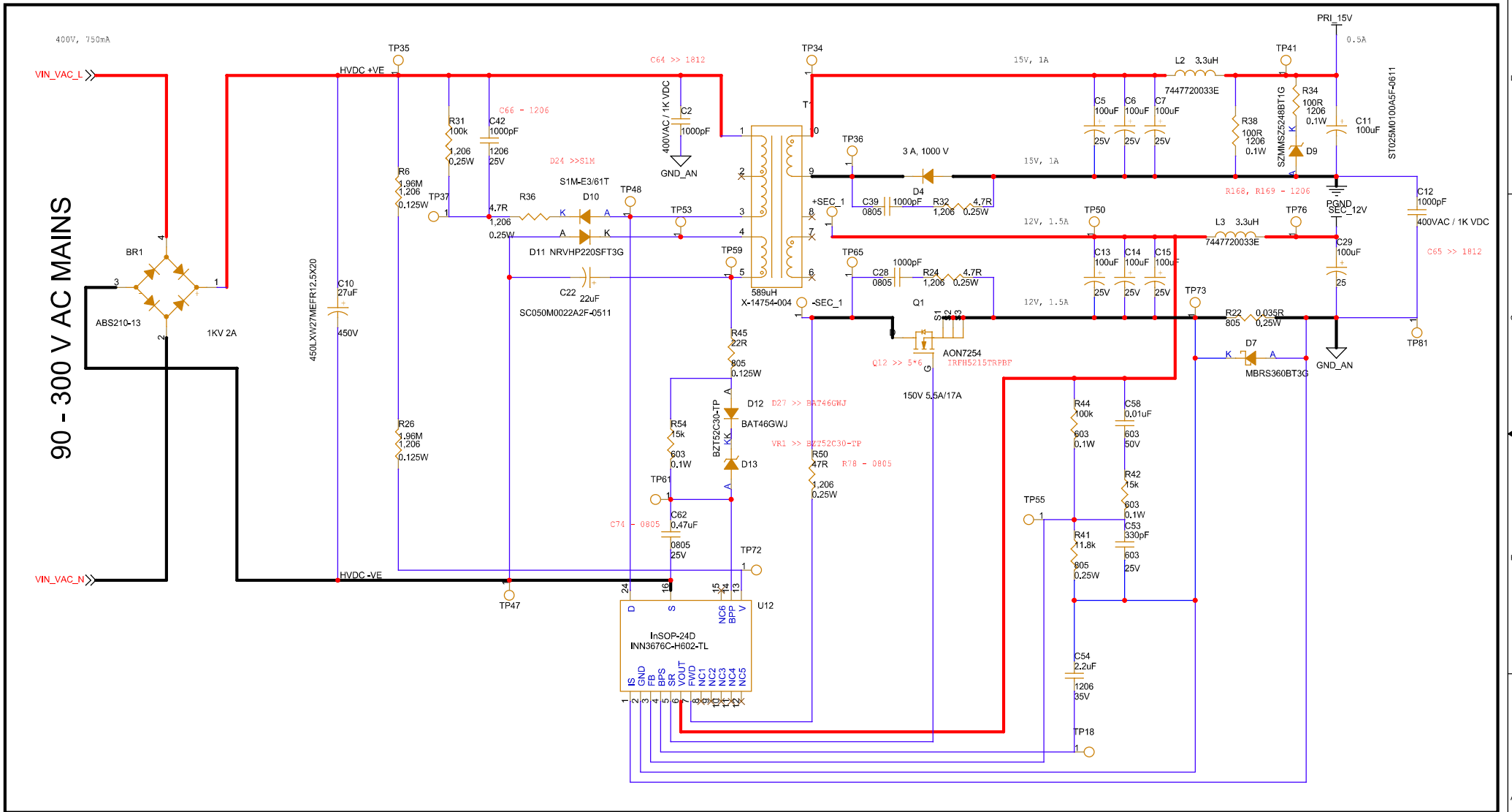


# Rectification + PFC Section



Title		
750W Charger		
Size	Document Number	Rev
A3	<Doc>	<Rev Code>
Date:	Tuesday, April 16, 2023	Sheet 3 of 8

# AUX. SUPPLY (12V & 15V)



Title		<Title>
Size	Document Number	Rev
B	<Doc>	<RevCode>
Date:	Wednesday, January 25, 2023	Sheet 1 of 1