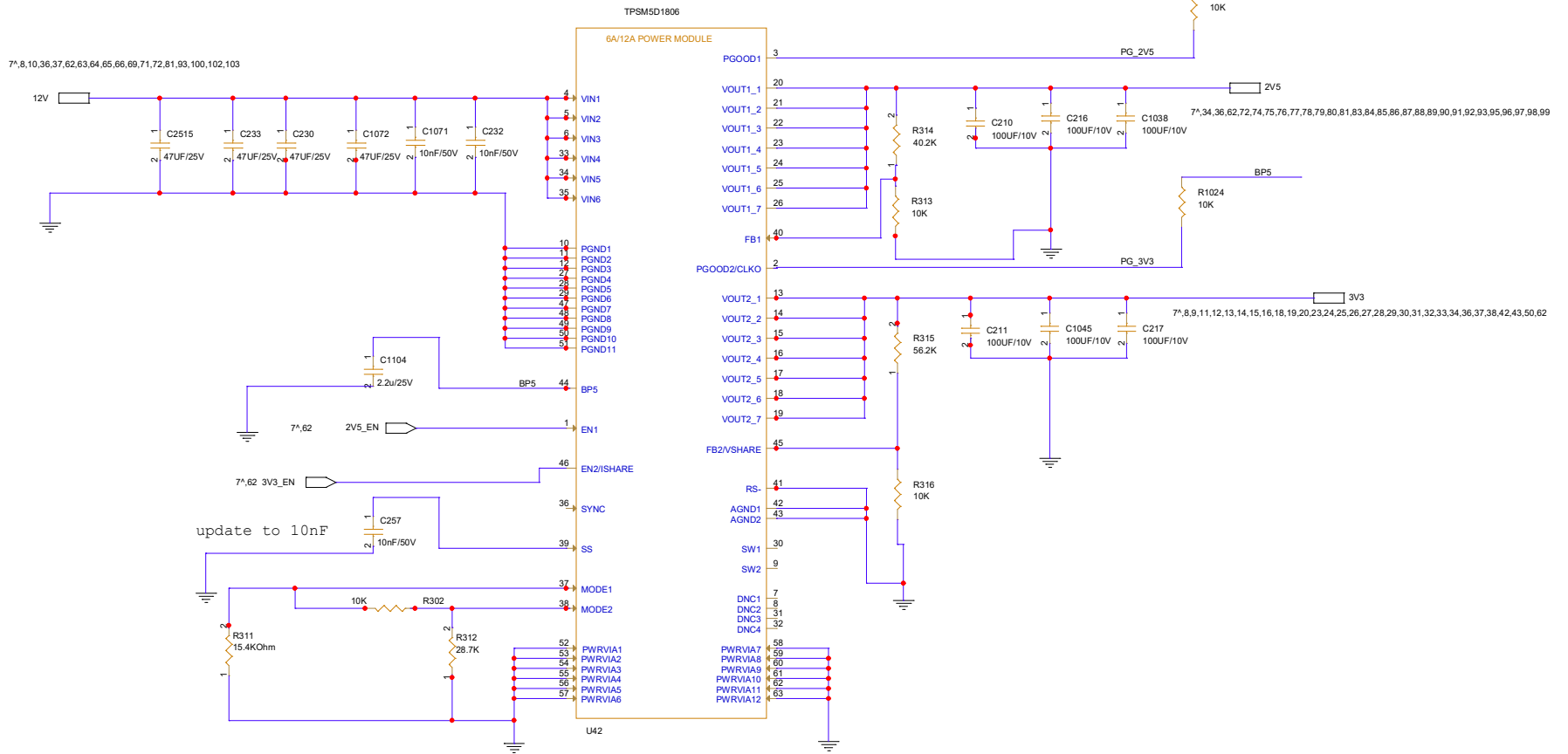


# 3V3 + 2V5



MODE, SS, BP, FB  
 PINS SHOULD BE CONNECTED TO AGND SEPARATELY  
 AGND SHOULD BE KEPT AWAY FROM NOISY PGND.  
 CONNECT ON A SINGLE POINT