

6

5

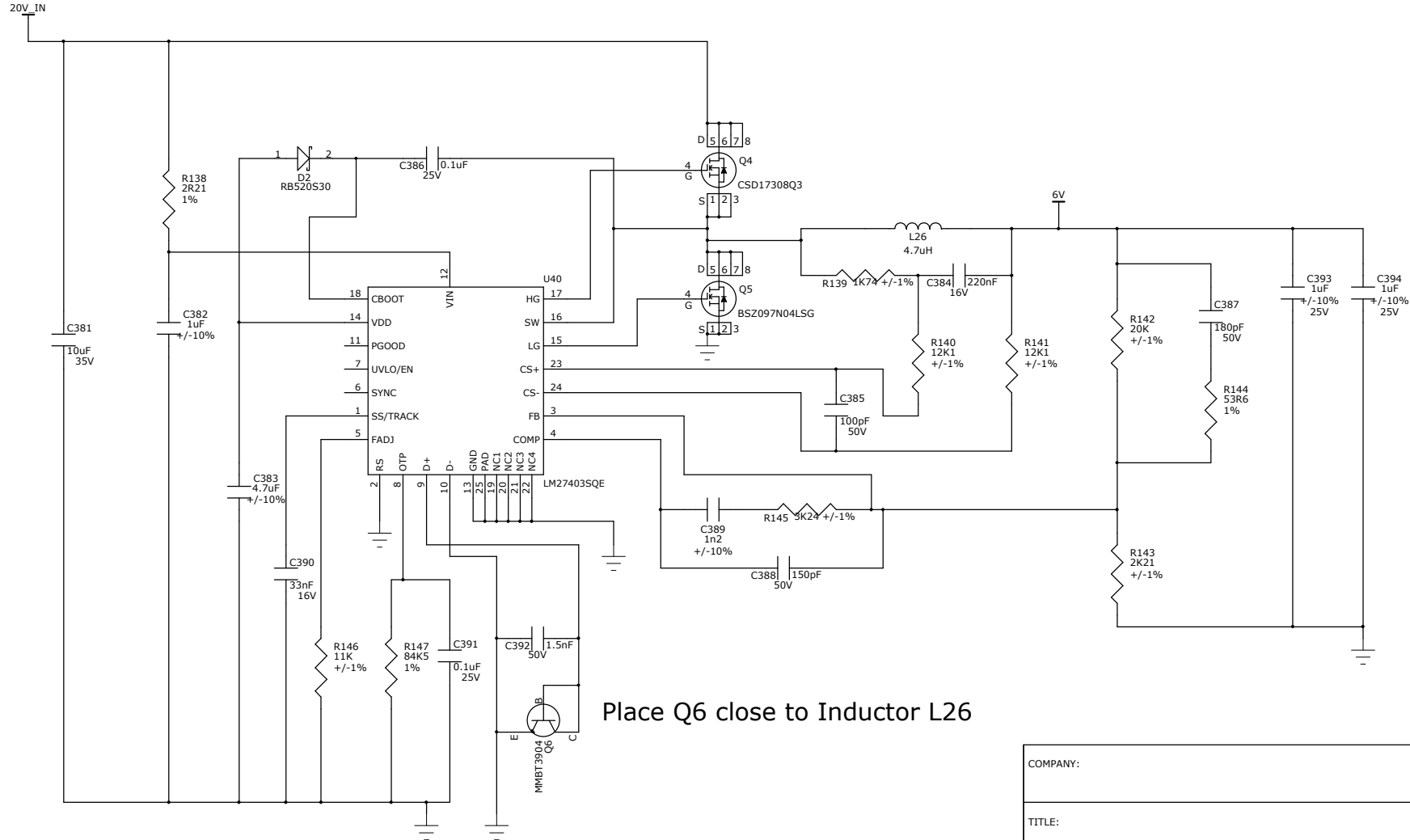
4

3

2

1

| REVISION RECORD | | | |
|-----------------|---------|-----------|-------|
| LTR | ECO NO: | APPROVED: | DATE: |
| | | | |
| | | | |
| | | | |
| | | | |



Place Q6 close to Inductor L26

| | | | |
|---|--------------------|--------------------|------------------|
| COMPANY: | | | |
| TITLE: 6V Intermediate supply | | | |
| DRAWN: SKB | DATED: 06/01/16 | CODE: | REV: 2 |
| CHECKED: | DATED: | SIZE: A3 | DRAWING NO: |
| QUALITY CONTROL: | DATED: | SHEET: 15 OF 28 | |
| RELEASED: | DATED: | SCALE: | |

D

C

B

A

D

C

B

A