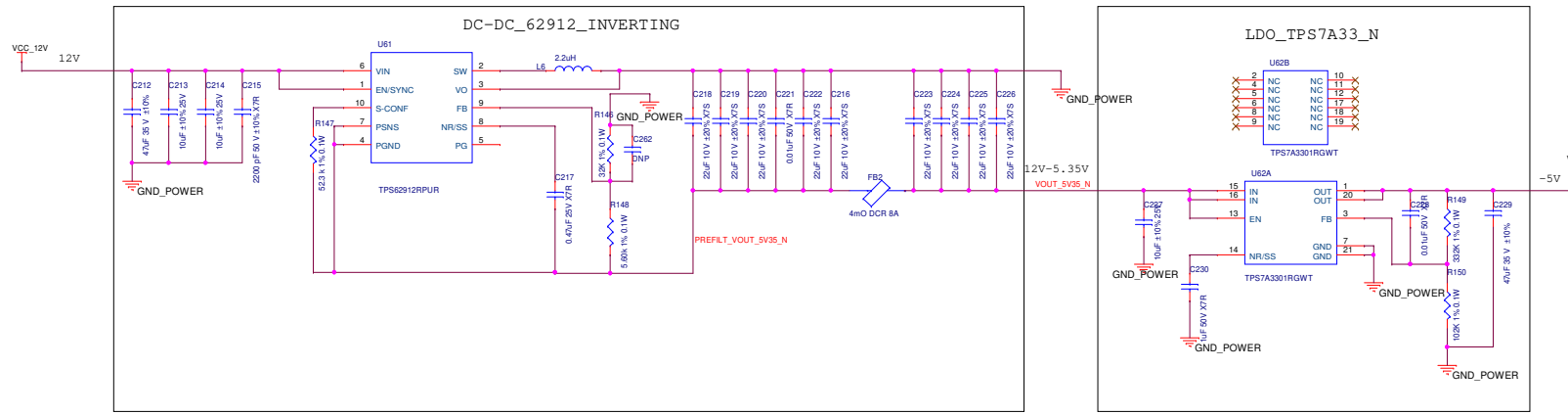
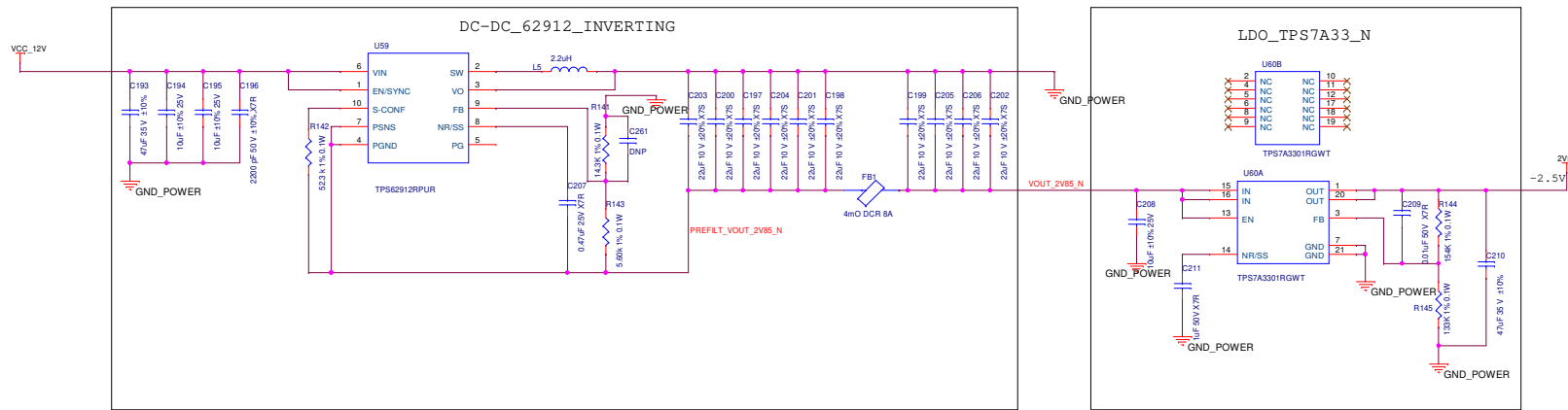


|      |                           |               |
|------|---------------------------|---------------|
| File | <Title>                   | Rev           |
| Size | Document Number           | <Doc>         |
| Date | Saturday, August 26, 2023 | Sheet 8 of 10 |



|      |                           |               |
|------|---------------------------|---------------|
| File | <Title>                   | Rev           |
| Size | Document Number           | <Doc>         |
| Date | Saturday, August 26, 2023 | Sheet 9 of 10 |