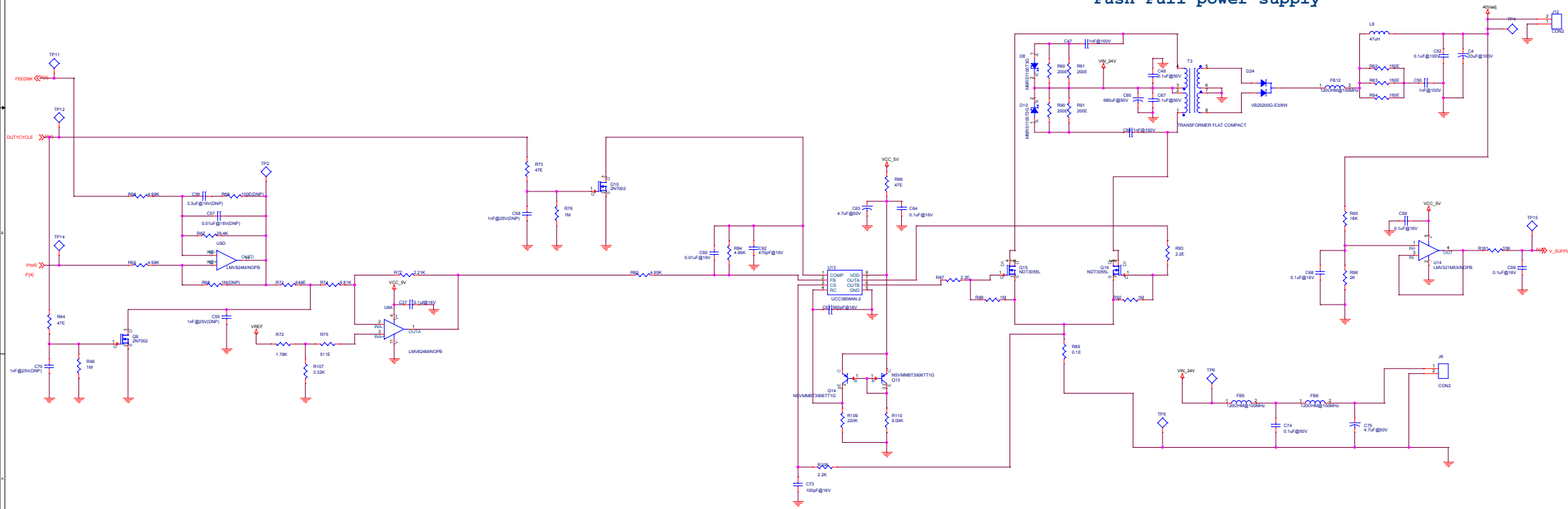


Push-Pull power supply



File		
Rev	D	1.0
Document Number		
Rev		1.0
Date	10/25/2019	11:30:15
Sheet	3	of 3