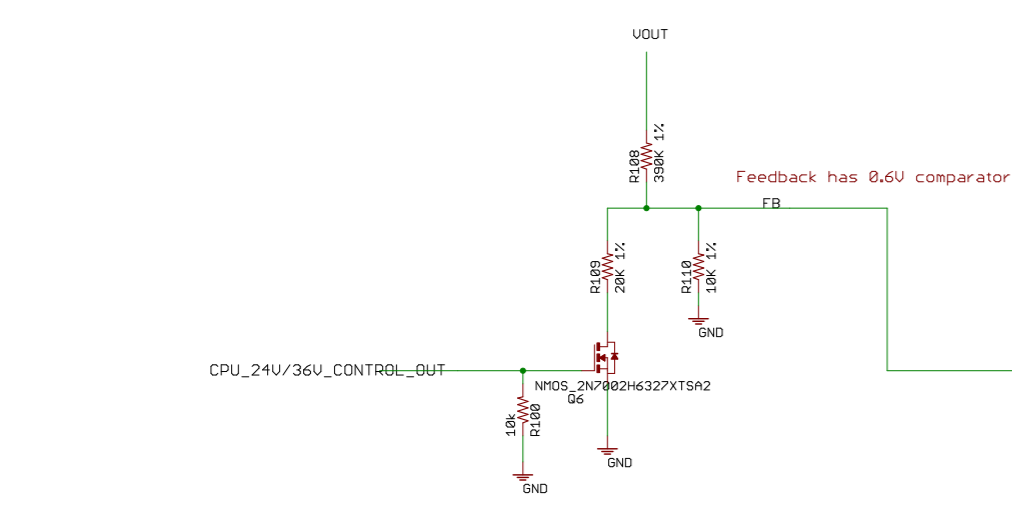
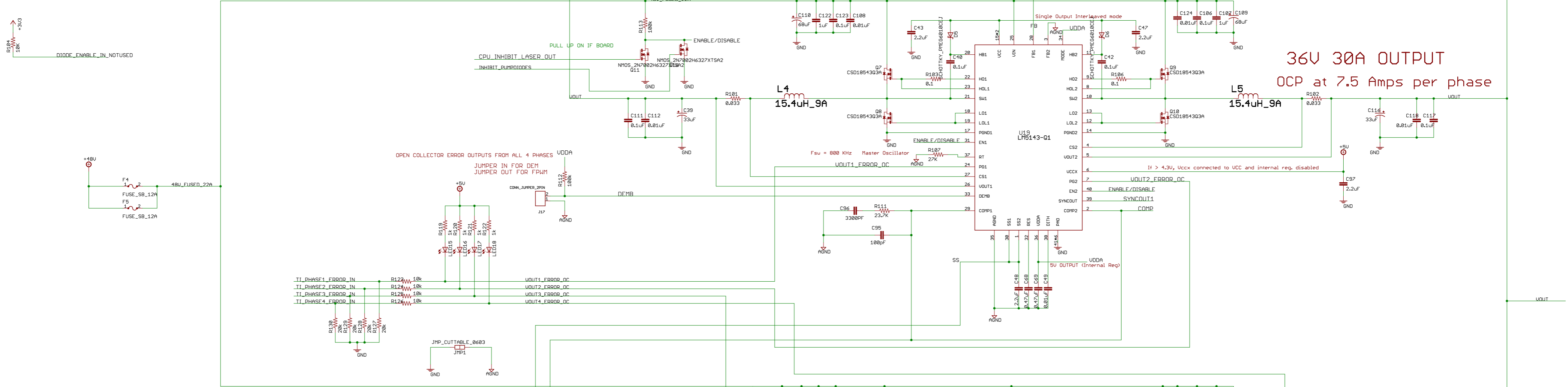


Rev X2 changes:
 Changed C48 to 2.2uF to increase soft start time
 Changed R118 to 27K to match master
 Changed R188,R189,R110 to make thevinin resistance > 5K
 No jumper on J17 (Use FWP4M)
 remove Jumper J20

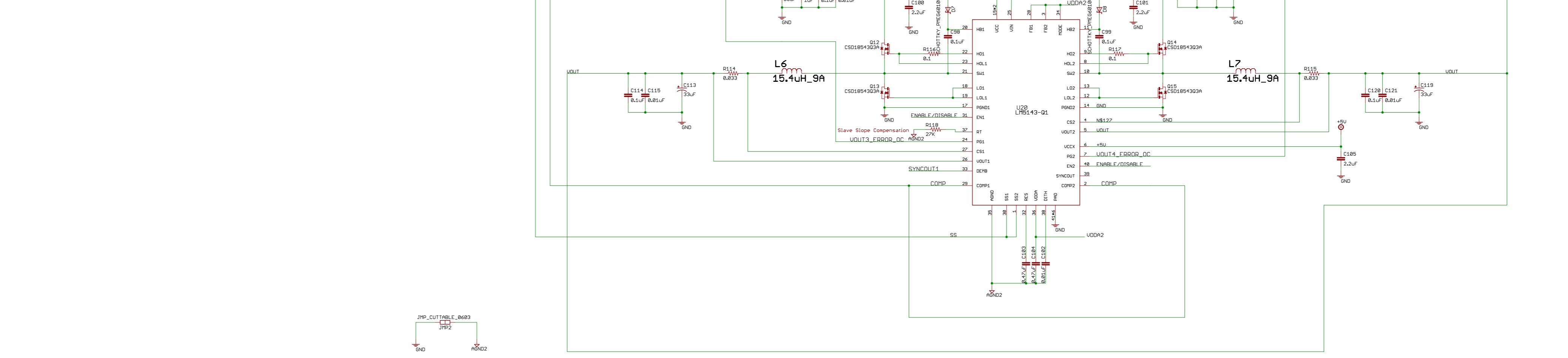
FEEDBACK NETWORK



MASTER



SLAVE



36V 30A OUTPUT
 OCP at 7.5 Amps per phase