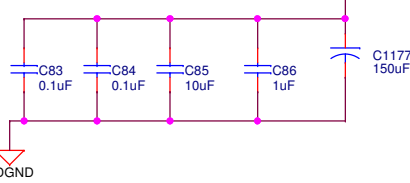
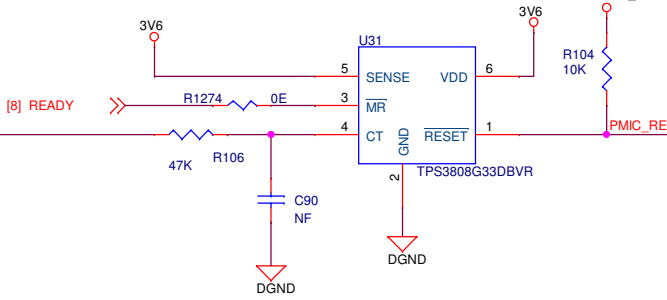


Main 3V6 Power input

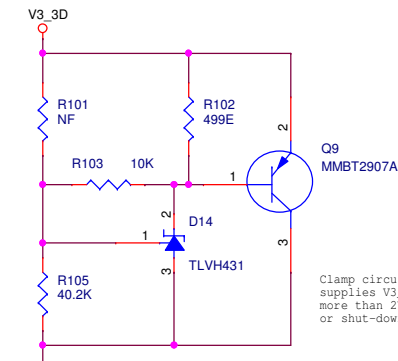
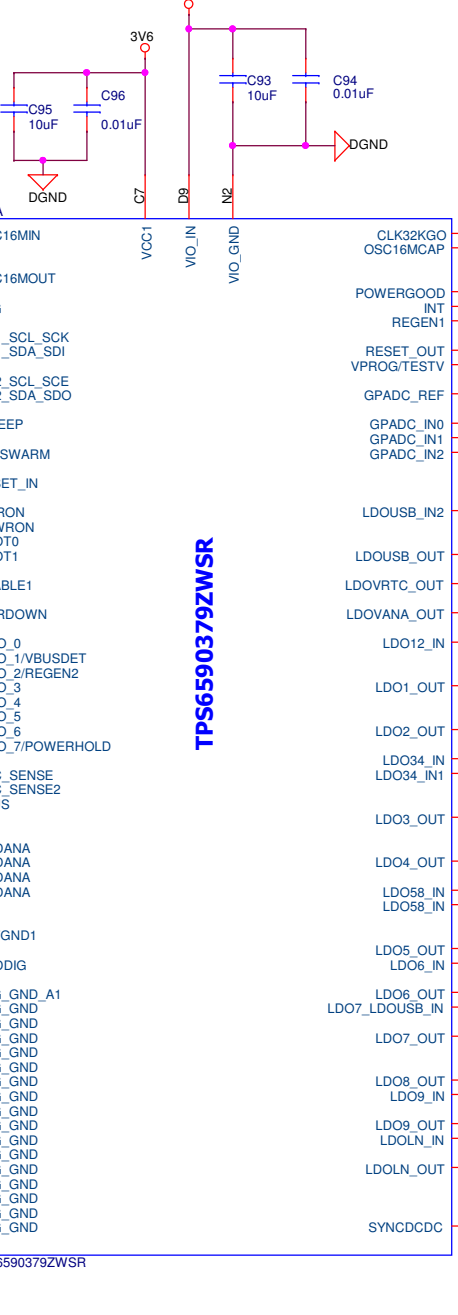


PMIC RESET release

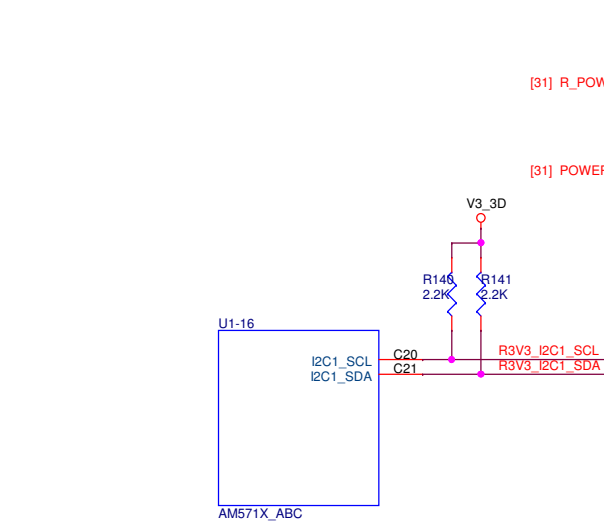
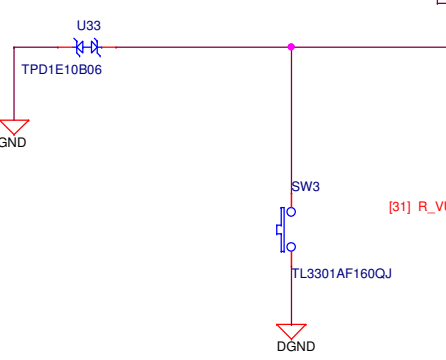
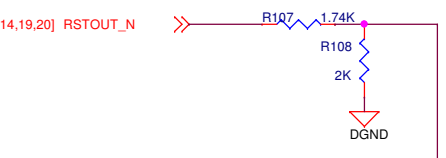


PMIC 1(CNTRL&LDOs)

TPS6590379ZWSR

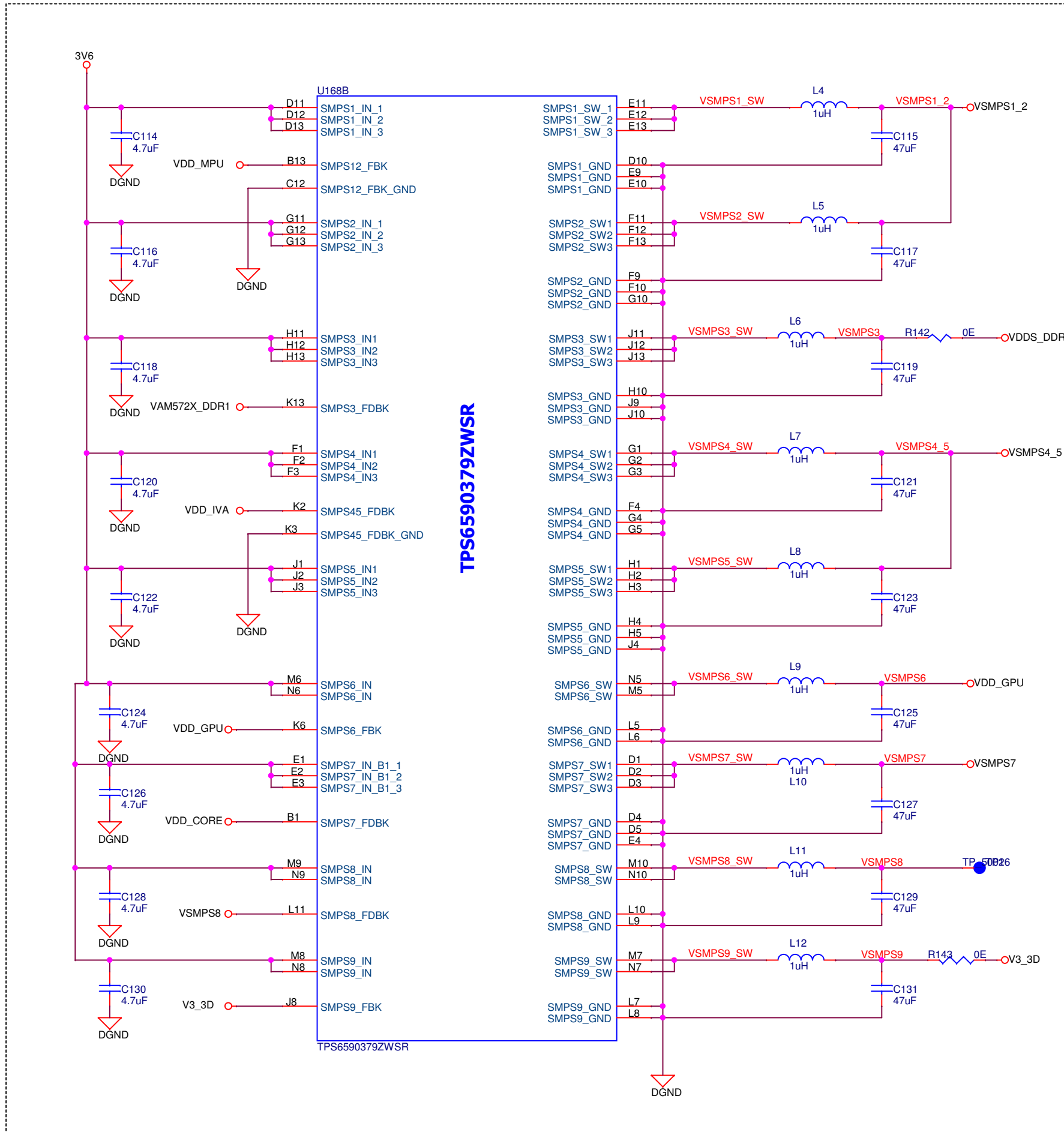


Clamp circuits added to guarantee the 3.3V supplies V3\_3D never become more than 2V above V1\_8D during start-up or shut-down.



Title	<Title>	
Size C	Document Number	Rev
Date:	Thursday, September 12, 2019	Sheet 1 of 2

# RED PMIC 1(SMPS)



TPS6590379ZWSR

Title		
<Title>		
Size	Document Number	Rev
A3	<Doc>	<RevCode>
Date:	Thursday, September 12, 2019	Sheet 2 of 2