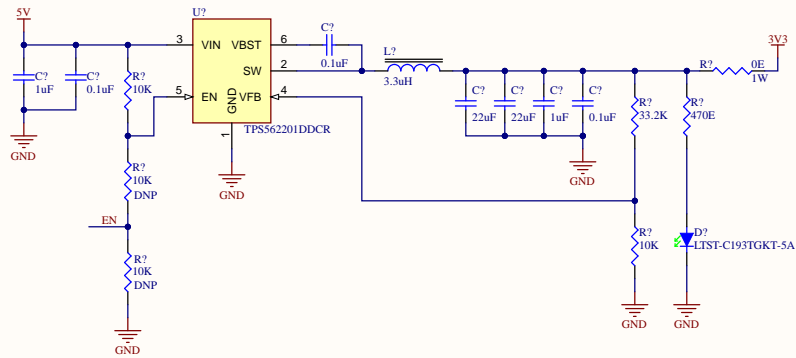


+3.3V Voltage Regulator

Designer Note:
BUCK can provide a maximum
output of 2A



Comment	Description	Designator	Footprint	LibRef	Quantity
---------	-------------	------------	-----------	--------	----------