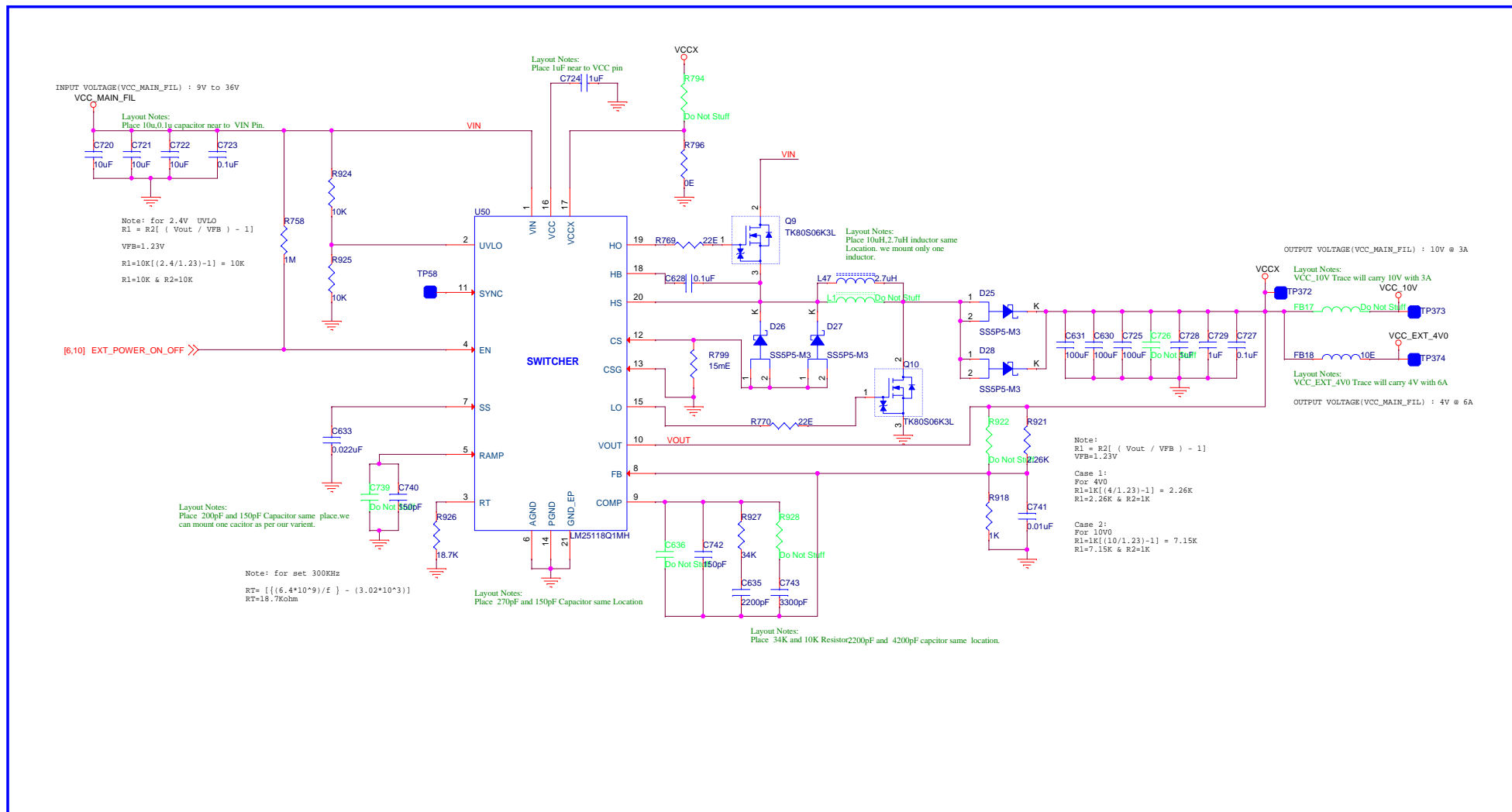


BUCK BOOST CONVERTER FOR 10V & 4V0



External Power Hub

	A3	Title : BUCK_BOOST_CONVERTER	
	Fab No : 501-1-01011		Rev: A1
	Asy No : 701-1-01220		Sheet 6 of 15