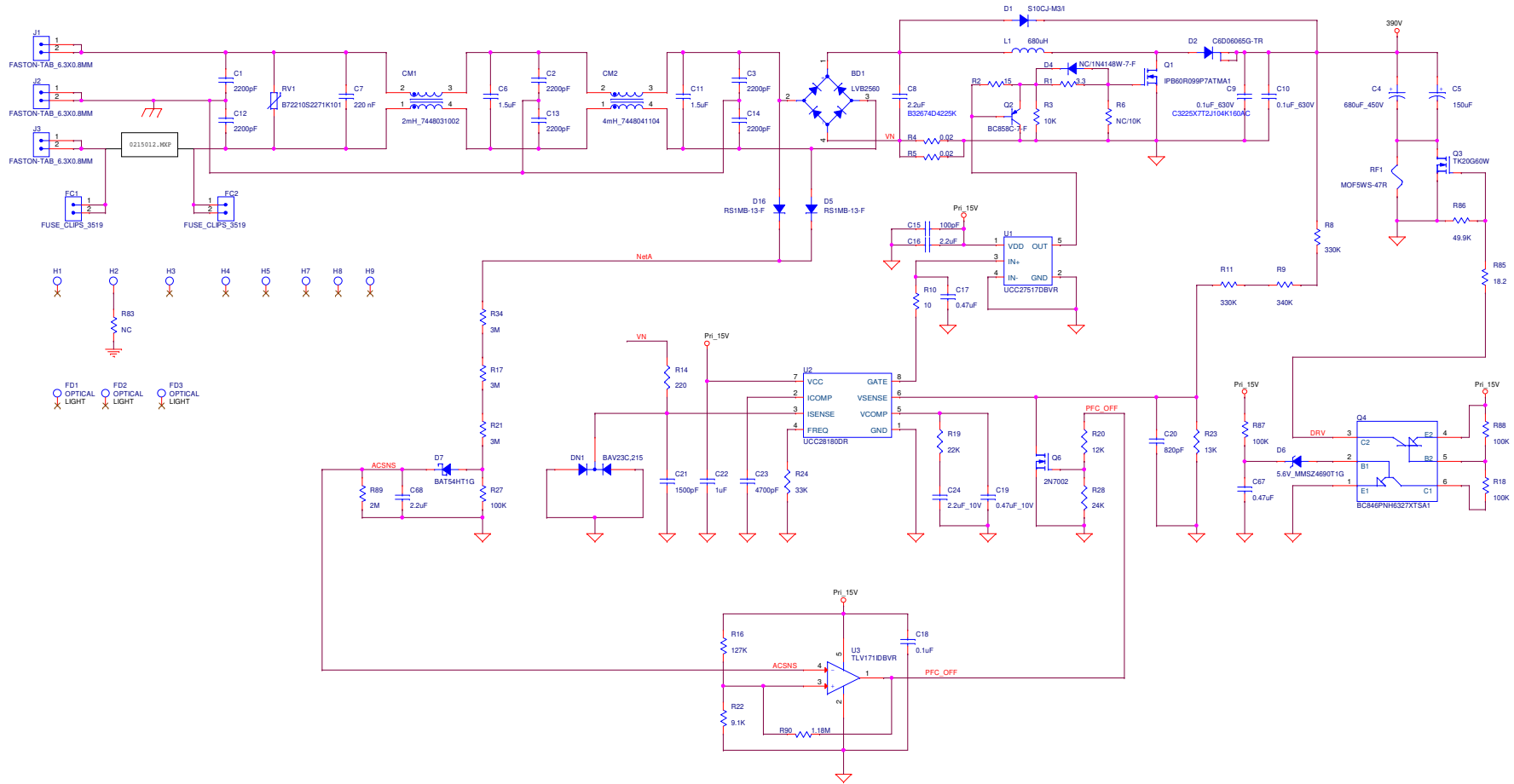


NG
L



Title		
P01_PRL_PFC		
Size	Document Number	Rev
C	ADP1000A 1000W AC/DC Board	E20
Date:	Friday, November 28, 2024	Sheet 1 of 2

