

OGOEnergy India Private Limited

Sheet: /MOSFET_DRV_12V/
File: bmsBoardPower.kicad_sch

Title: TeleCom BMS_OGO48V100Ah

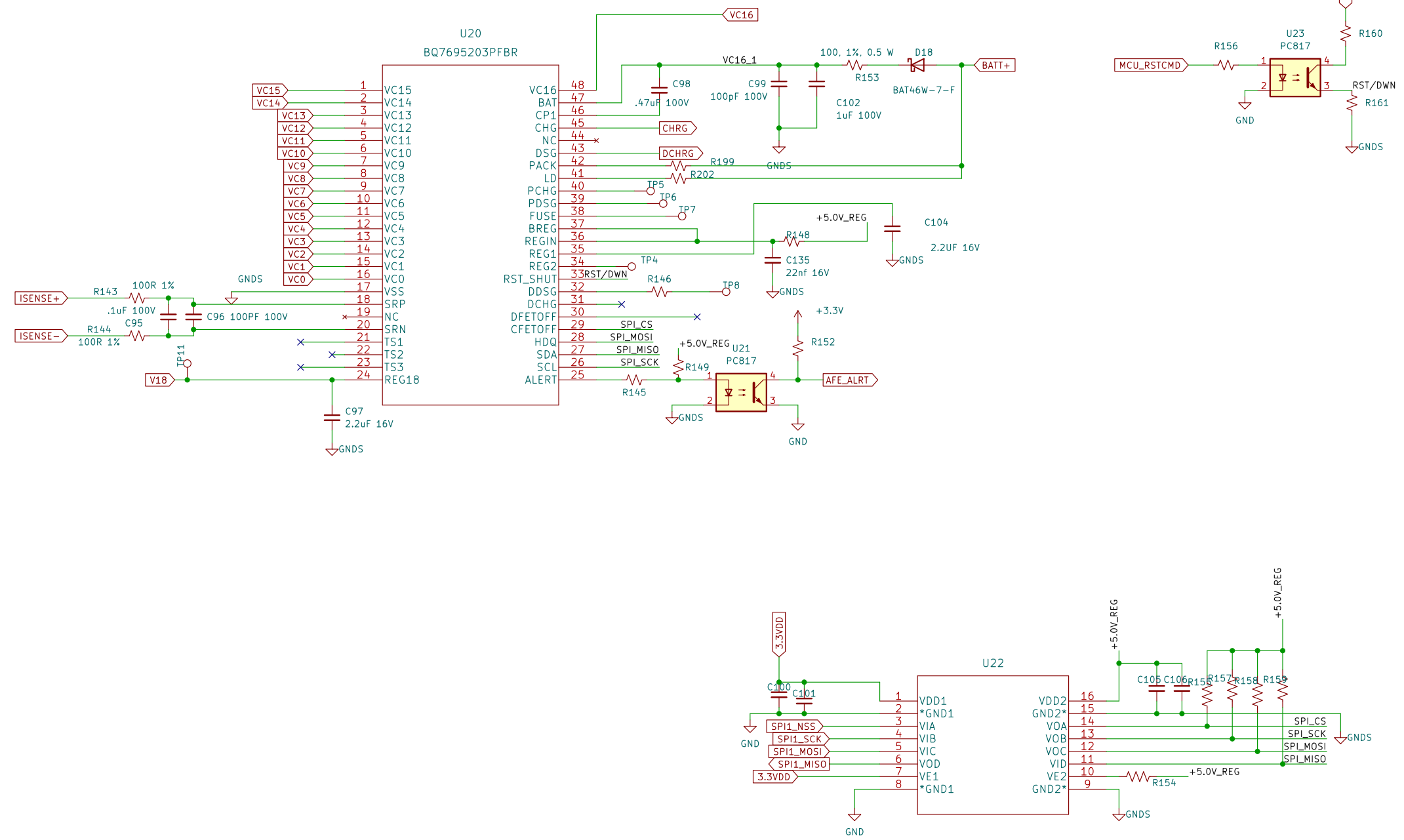
Size: A3

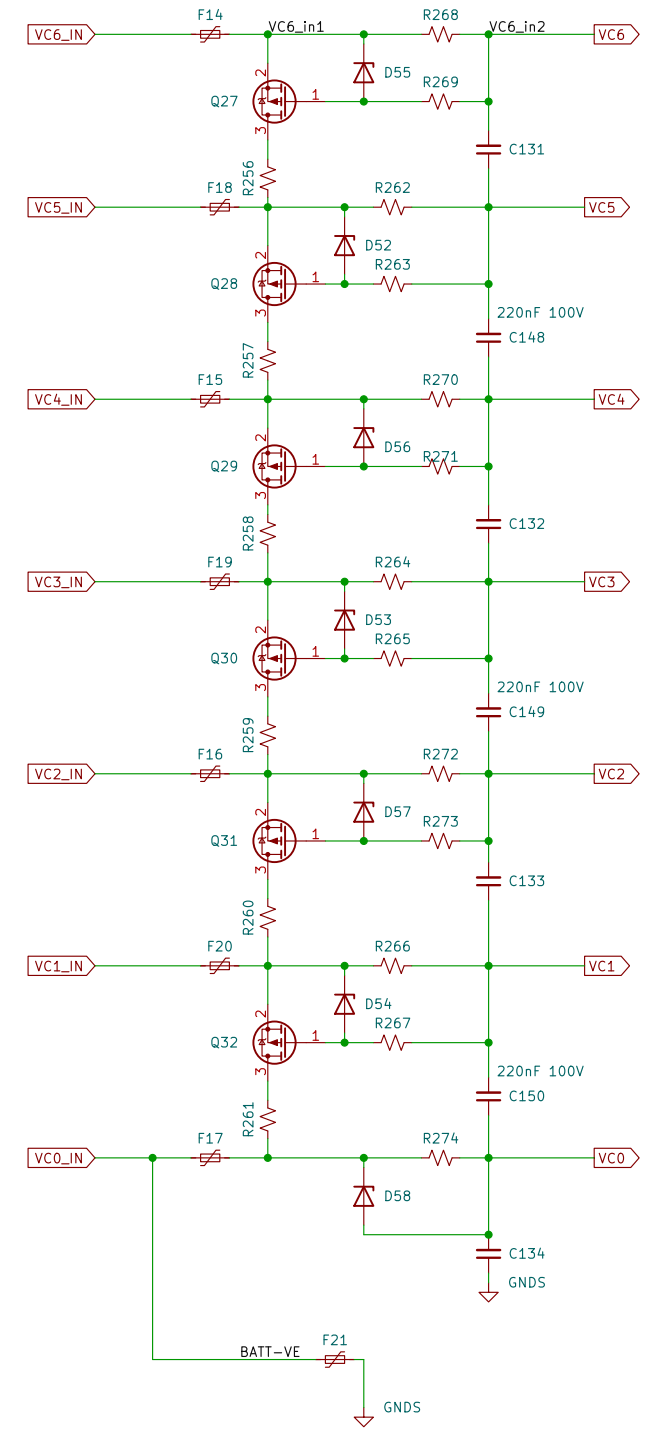
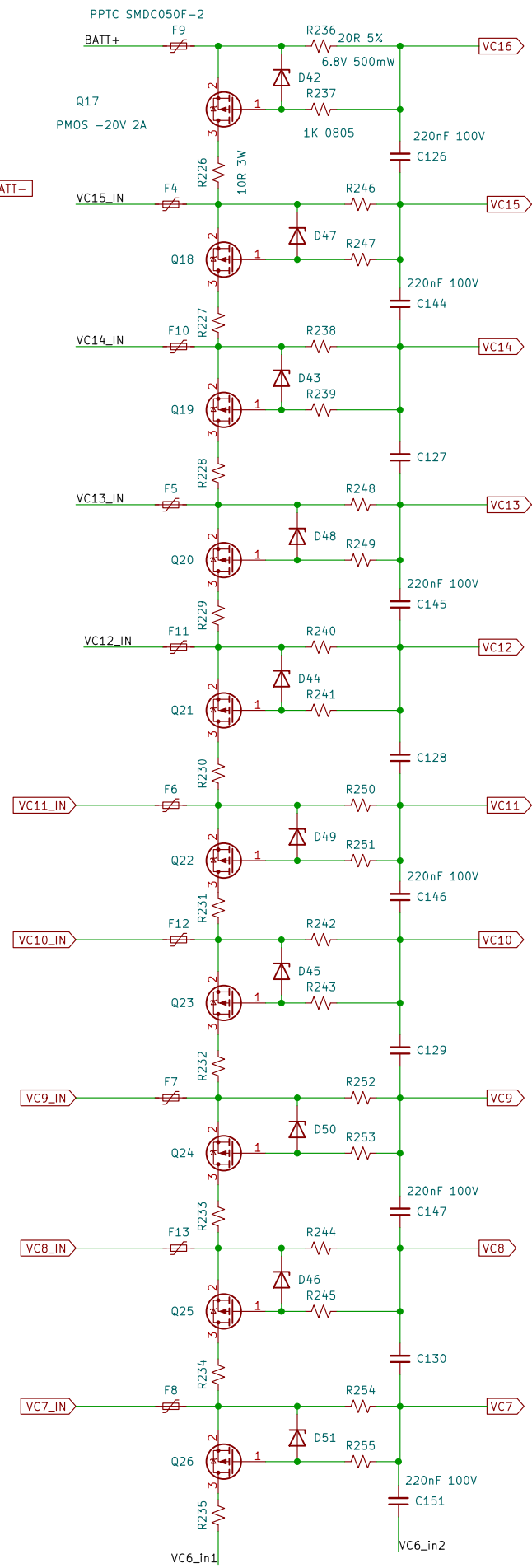
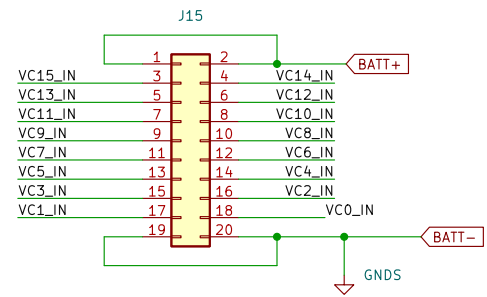
Date:

Rev: REV-01

KiCad E.D.A. eeschema (6.0.6)

Id: 6/12





OGOEnergy India Private Limited

Sheet: /Cell Interface/
File: Cell_Interface.kicad_sch

Title: TeleCom BMS_OGO48V100Ah

Size: A3

Date:

Rev: REV-01

KiCad E.D.A. eeschema (6.0.6)

Id: 10/12