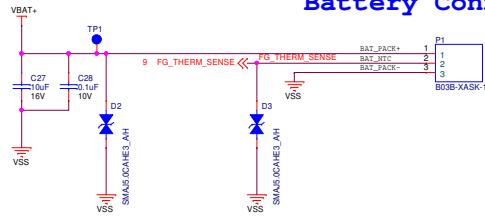


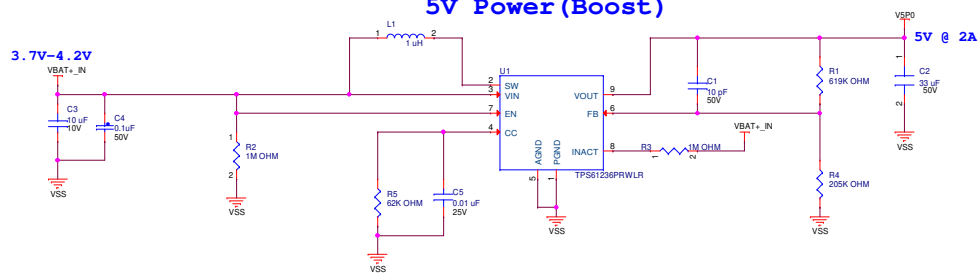
# POWER INPUT

## Battery Connector



Battery Details:  
 Battery: AS-21700-4800-125  
 Capacity: 9600mAh  
 Nominal Voltage: 3.7V  
 Max Charge Current: 2000mA  
 Max Discharge Current: 2000mA

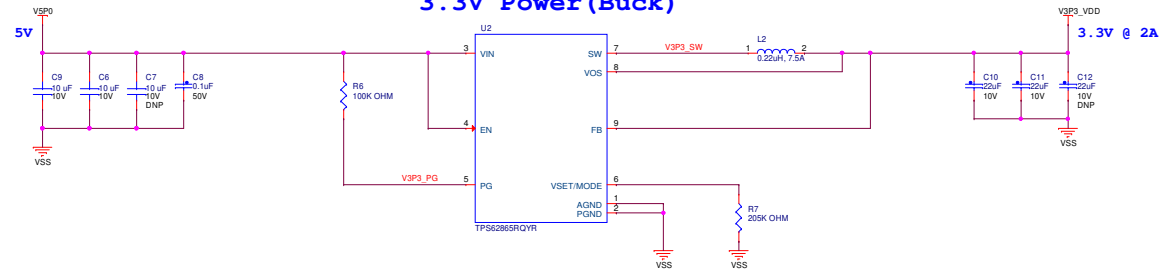
## 5V Power (Boost)



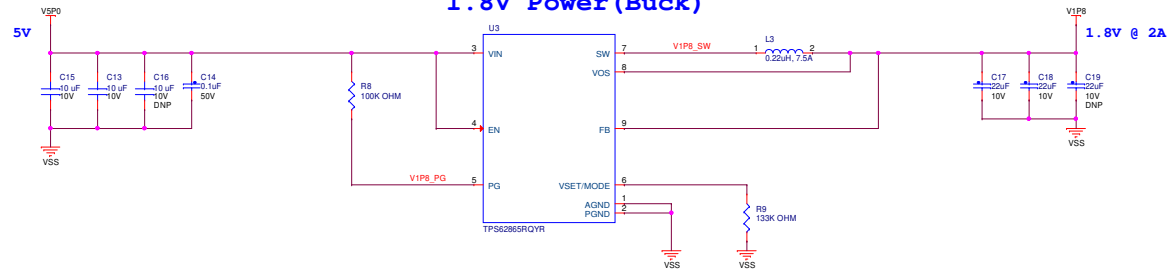
POWER INPUT SECTION		DRAFT
File	<Title>	
Size	Document Number	Rev
C	<Doc>	W0.1
Date:	Wednesday, December 20, 2023	Sheet 7 of 15

# ONBOARD REGULATOR'S

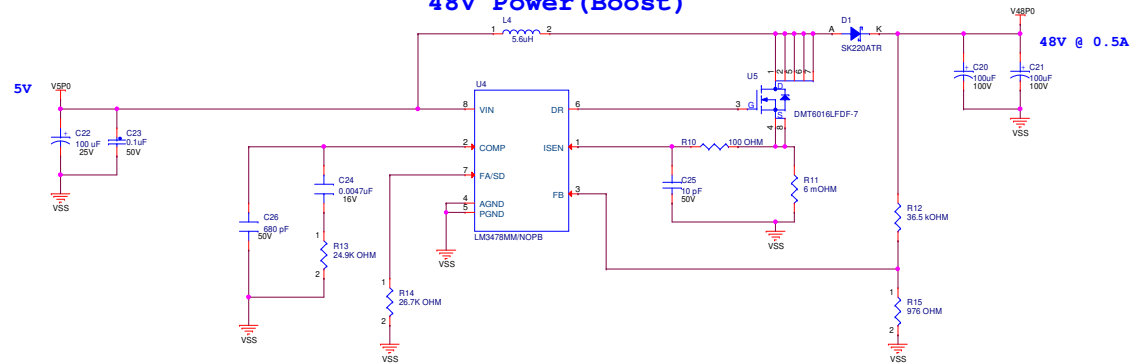
## 3.3V Power (Buck)



## 1.8V Power (Buck)



## 48V Power (Boost)



STEP DOWN SWITCHERS		DRAFT
File	<Title>	
Size	Document Number	Rev
C	<Doc>	1.0
Date:	Wednesday, December 20, 2023	Sheet 8 of 15