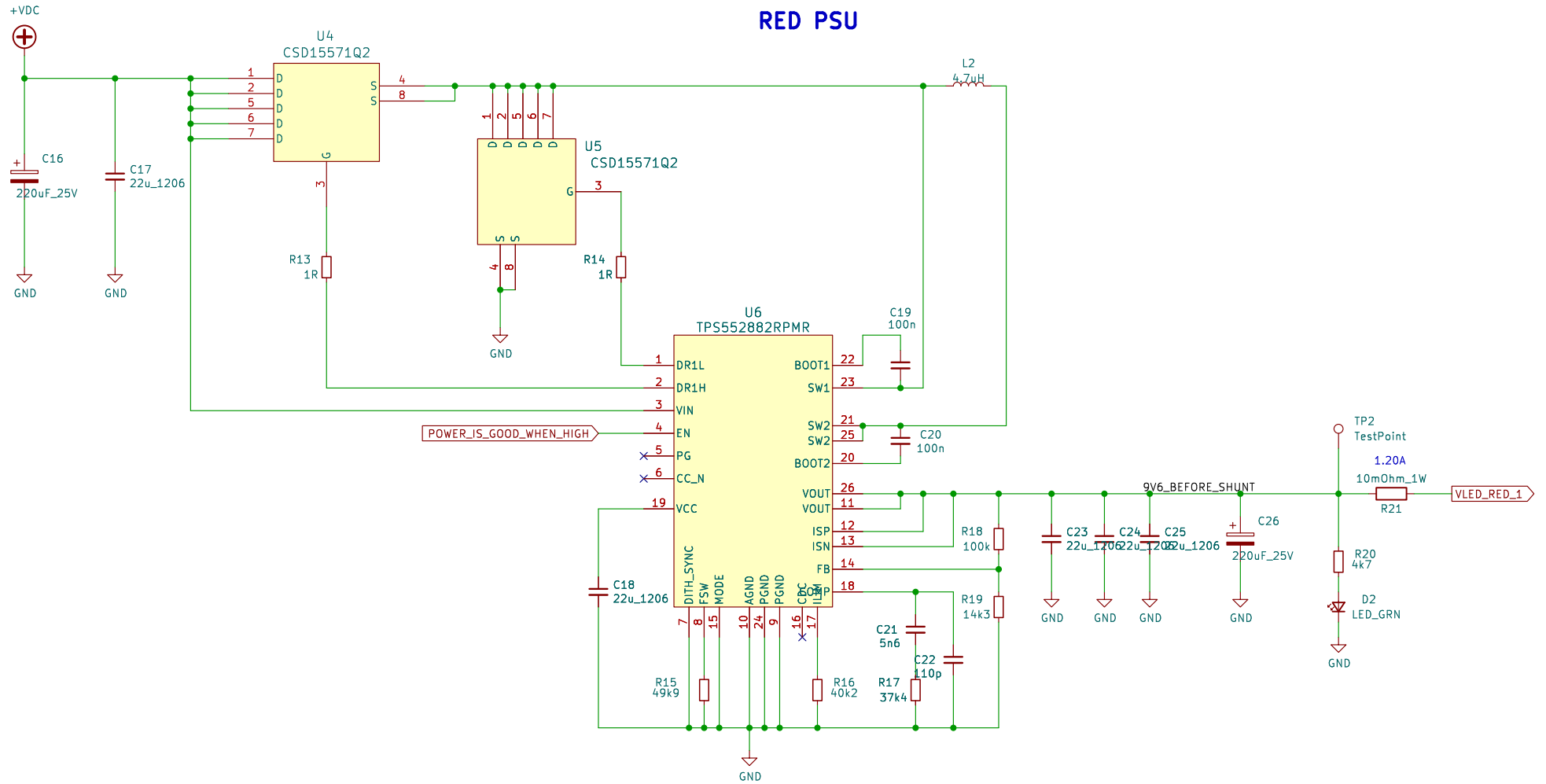


RED PSU



Sheet: /Red Supply/
File: red_supply.kicad_sch

Title:

Size: A4
KiCad E.D.A. 8.0.0

Date:

Rev:
Id: 3/3