

Sheet: /Orin.PoE.Pwr/PoE\_Rectifier/  
 File: PoE\_Rectifier.kicad\_sch

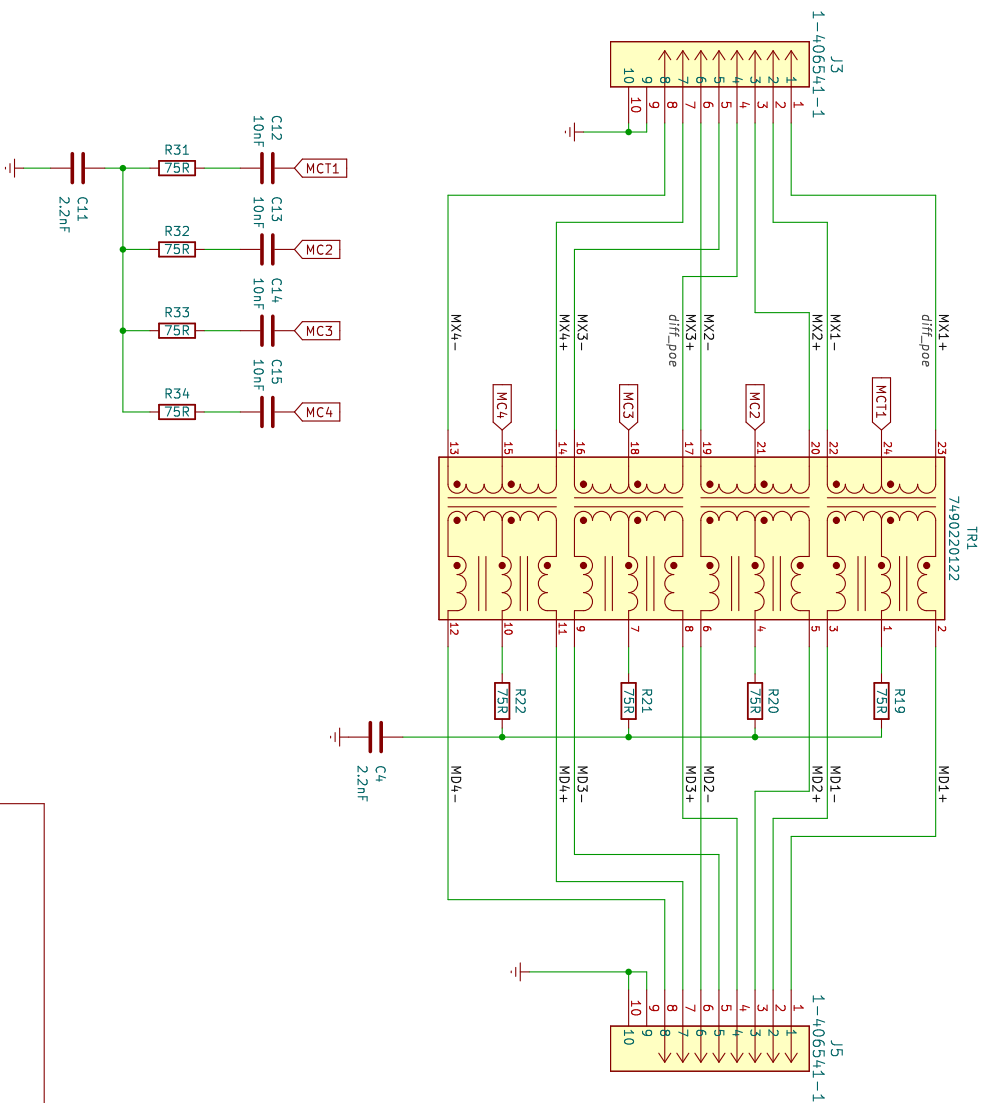
**Title:**

Size: A4 Date:

KiCad E.D.A. kicad 7.0.9

**Rev:**

Id: 4/6



Sheet: /Orin\_PoE\_Pwr/PoE\_Ethernet/  
 File: PoE\_Ethernet.kicad\_sch

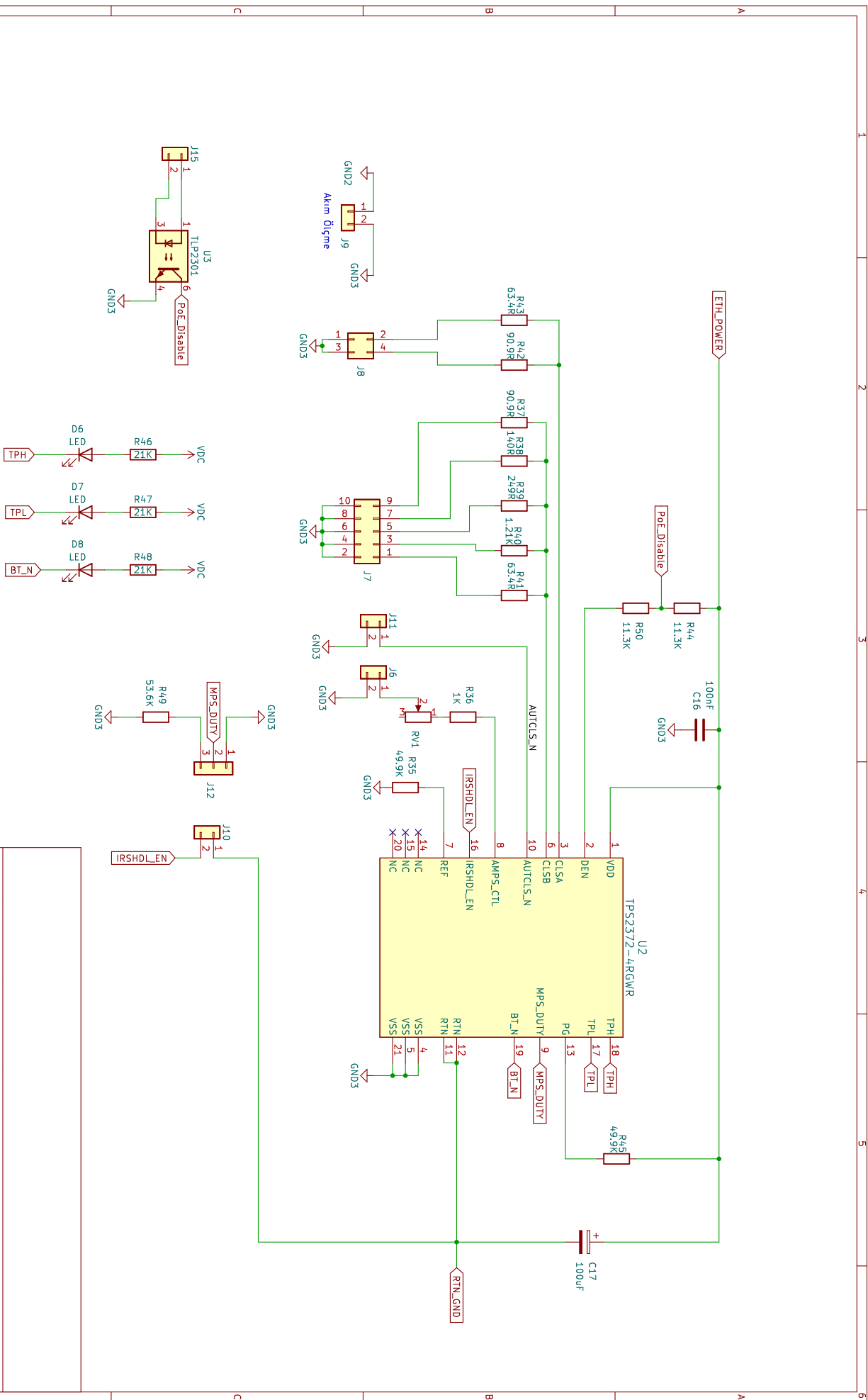
**Title:**

Size: A4 Date:

KiCad E.D.A. kicad 7.0.9

**Rev:**

Id: 5/6



Sheet: /Orin.PoE.Pwr/PoE.Controller/  
 File: PoE.Controller.kicad\_sch

**Title:**

Size: A4

Date:

KiCad E.D.A. kicad 7.0.9

**Rev:**

Id: 6/6