

Application Note

Basics of Ideal Diodes



ABSTRACT

Schottky diodes are widely used in power system designs to provide protection from various input supply fault conditions and to provide system redundancy by paralleling power supplies. Power schottky diodes are used in automotive power system design to provide protection from reverse battery conditions and protect from various automotive electrical transients. Industrial systems traditionally have employed schottky diodes to provide reverse polarity protection from field power supply mis-wiring and provide immunity from lightning and industrial surges.

Commonly used industrial systems, telecommunication servers, storage, and infrastructure equipments employ schottky diodes to provide system redundancy or increase power capacity by ORing two or more power sources. However, the forward voltage drop of the schottky diodes results in significant power loss at high currents and increases the need for thermal management using heat sinks and a larger PCB space. Forward conduction loss and associated thermal management reduces efficiency and increases system cost and space. With increasing system power levels and need for improved power density, schottky diodes are not preferred for newer high performance system designs.

This application note highlights the limitations of conventional input battery protection solutions using schottky diodes or P-Channel MOSFETs and discusses how Ideal Diode Controllers from Texas Instruments (TI) can be used to improve efficiency and performance in battery input protection applications and power supply ORing applications.

Table of Contents

| | |
|-----------------------------------------------------------------------------|----|
| 1 Introduction | 2 |
| 2 Reverse Battery Protection | 2 |
| 3 ORing Power Supplies | 4 |
| 4 Reverse Battery Protection using MOSFETs | 4 |
| 5 Reverse Polarity Protection vs Reverse Current Blocking | 7 |
| 6 What is an Ideal Diode Controller? | 9 |
| 7 Automotive Transient protection with Ideal Diode Controllers | 16 |
| 8 ORing Power Supplies with Ideal Diode Controllers | 19 |
| 9 Integrated Ideal Diode Solution | 22 |
| 10 Summary | 24 |
| 11 References | 24 |
| 12 Revision History | 24 |

List of Figures

| | |
|-------------------------------------------------------------------------------|---|
| Figure 2-1. Reversed Connected Battery: Damage to MCU or DC/DC converter..... | 3 |
| Figure 2-2. Reversed Connected Battery: Damage to Polarized Capacitors..... | 3 |
| Figure 2-3. Reverse Battery Protection Using Schottky Diode..... | 3 |
| Figure 2-4. Schottky Diode Response to Reverse Battery Condition..... | 3 |
| Figure 3-1. Diode ORing..... | 4 |
| Figure 4-1. Reverse Battery Protection using P-Channel MOSFET..... | 5 |
| Figure 4-2. Dynamic Reverse Polarity - Schottky Diode..... | 5 |
| Figure 4-3. Dynamic Reverse Polarity - P-Channel MOSFET..... | 5 |
| Figure 4-4. Input Short - Schottky Diode..... | 6 |
| Figure 4-5. Input Short - P-Channel MOSFET..... | 6 |
| Figure 4-6. AC Superimposed Test - Schottky Diode..... | 6 |
| Figure 4-7. AC Superimposed Test - P-Channel MOSFET..... | 6 |
| Figure 4-8. Reverse Battery Protection Using N-Channel MOSFET..... | 7 |

| | |
|-----------------------------------------------------------------------------------------------------------------------|----|
| Figure 5-1. Typical Application Use Case of Reverse Polarity Protection Controller and Ideal Diode Controller..... | 8 |
| Figure 5-2. Performance Comparison of P-channel MOSFET and LM74500-Q1 Based Reverse Polarity Protection Solution..... | 9 |
| Figure 6-1. Ideal Diode Controller - Typical Application Schematic..... | 11 |
| Figure 6-2. Block Diagram of Ideal Diode Controller..... | 11 |
| Figure 6-3. Forward Voltage Vs Load Current..... | 12 |
| Figure 6-4. Power Dissipation Vs Load Current..... | 12 |
| Figure 6-5. Input Short Circuit Response of LM74700-Q1..... | 13 |
| Figure 6-6. Fast Load Transient Response of LM74700-Q1..... | 14 |
| Figure 6-7. Application Circuit for 200V Unsuppressed Load Dump Protection..... | 15 |
| Figure 6-8. LM74701-Q1 Operation During VDS Clamp Mode..... | 16 |
| Figure 7-1. Reverse Battery Protection Using LM74700-Q1..... | 16 |
| Figure 7-2. LM74700-Q1 Response to Static Reverse Polarity..... | 17 |
| Figure 7-3. LM74700-Q1 Response to ISO 7637-2 Pulse 1..... | 18 |
| Figure 7-4. LM74700-Q1 Response to Input Micro-short..... | 18 |
| Figure 7-5. LM74700-Q1 AC Superimposed Test..... | 19 |
| Figure 8-1. Typical OR-ing Application..... | 20 |
| Figure 8-2. ORing V_{IN1} to V_{IN2} Switch Over..... | 20 |
| Figure 8-3. ORing V_{IN1} to V_{IN2} Switch Over..... | 20 |
| Figure 8-4. ORing V_{IN2} to V_{IN1} Switch Over..... | 21 |
| Figure 8-5. ORing V_{IN2} to V_{IN1} Switch Over..... | 21 |
| Figure 8-6. ORing - V_{IN2} Failure and Switch Over to V_{IN1} | 21 |
| Figure 8-7. ORing - V_{IN2} Failure and Switch Over to V_{IN1} | 21 |
| Figure 9-1. LM66100 Reverse Current Blocking Circuit..... | 22 |
| Figure 9-2. Reverse Current Blocking Waveform..... | 22 |
| Figure 9-3. LM66100 ORing Solution..... | 23 |
| Figure 9-4. LM66100 Switchover from IN1 to IN2..... | 23 |

List of Tables

| | |
|-------------------------------------------------------------------------|----|
| Table 6-1. Linear Regulation Control vs. Hysteretic ON/OFF Control..... | 10 |
| Table 9-1. LM66100 Comparison..... | 23 |

Trademarks

All trademarks are the property of their respective owners.

1 Introduction

This application report discusses traditional methods using schottky diodes or P-Channel MOSFETs to provide front-end input protection such as reverse battery protection, reverse current blocking, and protection during input micro-shorts. Next, the report discusses ORing power supplies to provide supply redundancy and increase power capacity. The report discusses in detail the drawbacks of existing methods and the benefits of using TI's Ideal Diode Controllers for input protection and ORing applications.

2 Reverse Battery Protection

In front-end power system designs, modules, or subsystems that directly run from battery power require protection from reverse battery connection or dynamic reverse polarity conditions during a inductive load disconnect from the battery. During maintenance of car battery or jump start of the vehicle, the battery can be connected in reverse polarity during reinstallation and can cause damage to the connected subsystems, circuits, and components. [Figure 2-1](#) shows a battery that is reverse connected. When this occurs, huge current flows through ESD diode of micro-controllers, DC/DC converters, or other integrated circuits cause severe damage to battery connected subsystems. Polarized components such as electrolytic capacitors can be damaged by reverse connected battery as shown in [Figure 2-2](#).

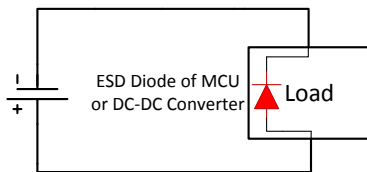


Figure 2-1. Reversed Connected Battery: Damage to MCU or DC/DC converter

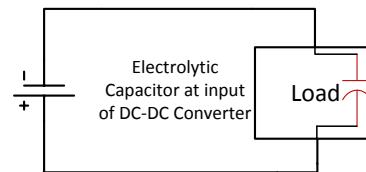


Figure 2-2. Reversed Connected Battery: Damage to Polarized Capacitors

Passenger cars and commercial vehicles are fitted with 12-V or 24-V battery and the subsystems powered through the 12-V or 24-V battery are subjected to various electrical transients on their power supply lines during the operating life time of the vehicle. Automotive EMC testing standards such as ISO 7637-2 and ISO 16750-2, among others, specify electrical transients, test methods, and classify functional performance for immunity against the specified transients. Reverse battery protection solution is expected to protect the electrical subsystems from the transients and meet the functional performance status required for each subsystem. Traditionally, schottky diodes are used to provide reverse battery protection and prevent damage to battery connected subsystems.

2.1 Reverse Battery Protection with Schottky Diode

The simplest method of reverse battery protection is to add a series diode at input of the system power path. Figure 2-3 shows a reverse battery protection using a schottky diode. When the battery is installed correctly, load current flows in the forward direction of the diode. If the battery is installed with the wrong polarity, the diode is reverse biased and blocks reverse current, thereby protecting the load from negative voltage.

Figure 2-4 shows the response to a reverse polarity condition at the input. When the 12 V input is quickly reversed to -20 V, the output voltage remains without collapsing immediately or following the negative input as the schottky diode gets reverse biased and isolates the output from negative voltage. A bulk capacitor placed at the output holds the output from falling immediately and can supply the load for a short time before the input supply recovers.

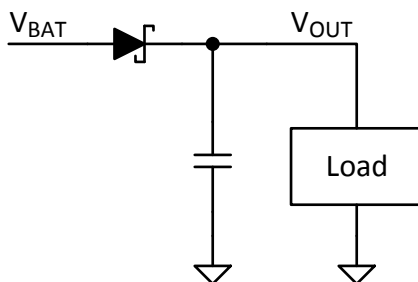


Figure 2-3. Reverse Battery Protection Using Schottky Diode

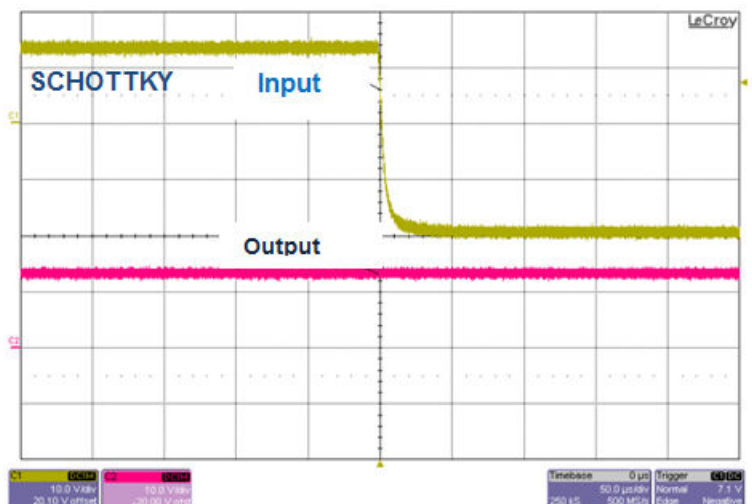


Figure 2-4. Schottky Diode Response to Reverse Battery Condition

Drawbacks of using schottky diode for reverse battery protection include:

- Power dissipation: Forward conduction results in significant efficiency loss at higher load currents.
- Thermal management: Heat sink is needed to manage power dissipation, increasing cost and space.
- Reverse leakage current: Reverse leakage current of high voltage schottky diodes increase dramatically with junction temperature, resulting in higher power dissipation during reverse conduction.

- Head room for downstream power converter: During a cold start of the car, the battery voltage drops as low as 3 V or 4 V during a warm start. Forward voltage drop reduces subsequent power converter head-room and a wider operating power converter is required to work during 3 V or 4 V cold crank operation. This requires a wider VIN range DC/DC boost converter to be used after the diode.

On systems where large holdup capacitors are used, inrush current during startup can be huge and must not exceed the maximum diode current. This needs to be considered when choosing thermal layout or heat sink.

3 ORing Power Supplies

Schottky diodes are traditionally used to OR two or more power supplies to increase system redundancy or increase power capacity in N+1 configuration. Typically more than one power supply units (PSU) are paralleled using schottky diodes in a N+1 redundant configuration. Minimum 'N' supplies are required to power the load and additional supply unit is provided for redundancy in case of a single point failure: one power supply unit fails. Power supply with higher voltage provides most or all of the power required by the load. To share loads almost equally among the power supplies, power supply DC set point is adjusted to match other units closely.

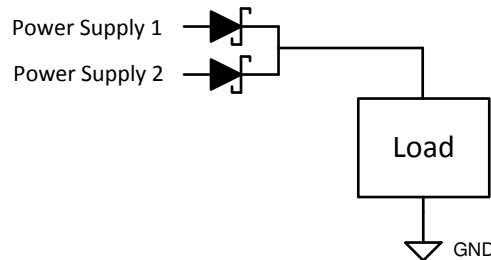


Figure 3-1. Diode ORing

Figure 3-1 shows dual ORing scheme where two PSUs power the load through two schottky diodes. When one of the power supply fails and its input is shorted, schottky diode in its path is reverse biased and isolates the other power supply from the failure. Load remains fully powered from the working power supply until the faulty unit is replaced.

Load Sharing: Load sharing between two power supplies is mainly dependent on the forward voltage difference of the schottky diodes and voltage difference between two power supplies. Power supply with higher voltage and lower forward voltage schottky diode carries most of the current. Forward voltage drop of the schottky diode has a negative temperature co-efficient and it reduces with increasing temperature. This can lead to situation where a single supply carries the entire load current though second supply is still present and results in increased junction temperature T_j . This necessitates a careful heat sink design and thermal management between two diodes.

Power Dissipation and Thermal Management: Apart from the key concerns such as power dissipation and the associated thermal management, reverse leakage current at a higher temperature can result in efficiency loss and lead to thermal run away situations if thermal design is not done properly. Reverse leakage current of high voltage schottky diodes increase drastically with temperature. For example, 60 V rated schottky diode STPS20M60S has a 100 mA reverse leakage current at 150 °C, which amounts to 6 W of power dissipation at -60 V. Consider a case when only one power supply is fully supplying the load current due to forward voltage difference of schottky diodes or offset in power supply DC set point. If this first power supply fails, the second supply takes over and supplies the entire load, but the schottky diode of the first one had a higher T_j before turning off and conducts large reverse leakage current. This can lead to a thermal run-away situation where the schottky continues to conduct increased reverse current and gets damaged. A damaged schottky diode and failed power supply can pull down the entire power system leading to a system failure. Even if thermal run-away is avoided by careful heat sink design, sustained power dissipation in the reverse conduction results in unwanted power loss.

4 Reverse Battery Protection using MOSFETs

In this section, reverse battery protection using P-Channel MOSFETs and N-Channel MOSFETs are discussed along with the benefits and drawbacks.

4.1 Reverse Battery Protection using P-Channel MOSFET

The schottky diode can be replaced with a P-Channel MOSFET to provide reverse battery protection as shown in Figure 4-1. The forward drop of the diode can be reduced by replacing the schottky diode with a P-channel MOSFET and its body diode oriented in the same direction as the schottky diode. During normal operation of the battery, the body diode from MOSFET is forward biased and conducts for a very short time until the MOSFET is turned ON when gate voltage is pulled below source. When the battery polarity is reversed, gate-source voltage swings positive and the MOSFET is turned off, protecting the downstream circuits from negative voltage.

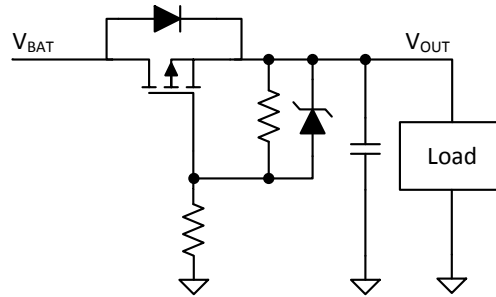


Figure 4-1. Reverse Battery Protection using P-Channel MOSFET

During dynamic reverse polarity where input quickly swings negative from positive, the P-Channel MOSFET is turned OFF when the input starts going negative because the gate-source voltage swings positive. Further note that the output also reaches close to or a diode drop lower than the system ground and protects the downstream DC/DC converters from negative voltage. The holdup capacitors are discharged as this P-Channel MOSFET protection does not block reverse current from flowing back into the input. An additional circuit can be added to sense the voltage difference between the input and output and turn off the MOSFET when the input goes lower than output, but requires increased cost and board space.

In Figure 4-3, the P-Channel MOSFET circuit protects the output from dynamic reverse polarity condition where the input quickly changes from 12 V to -20 V. Output remains protected from the negative voltage after the initial reverse voltage for 50 μ s. Note that the output is completely discharged due to lack of reverse current blocking functionality and any hold up capacitors are discharged.

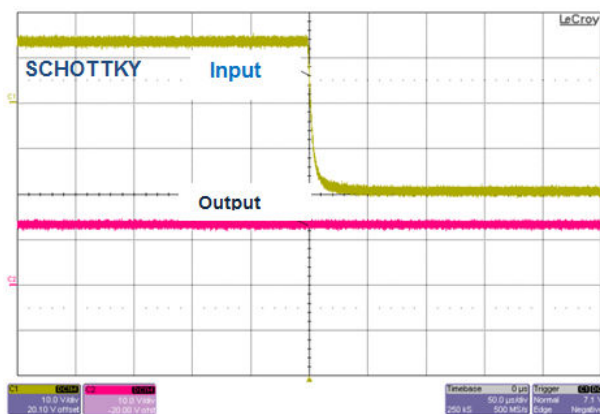


Figure 4-2. Dynamic Reverse Polarity - Schottky Diode

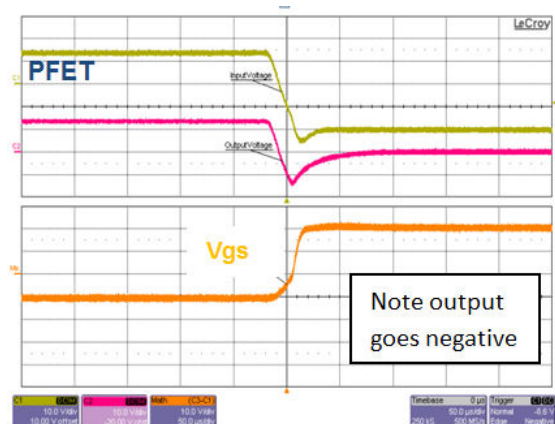


Figure 4-3. Dynamic Reverse Polarity - P-Channel MOSFET

4.2 Input Short or supply interruption

Figure 4-4 and Figure 4-5 show the performance comparison of P-Channel MOSFET with a schottky diode during an input short or interruption. During an input short, the schottky diode is quickly reverse biased and blocks reverse current from flowing back into the shorted input. Output is isolated from the input short and hold

capacitors at the output provide back-up power to the load, leading to droop in the output voltage. When the input short is removed, load is powered through the schottky diode.

In Figure 4-5, P-Channel MOSFET turns off when the gate-source voltage crosses V_{TH} of MOSFET, close to 0 V. Output voltage sees a huge drop due to lack of reverse current blocking functionality.

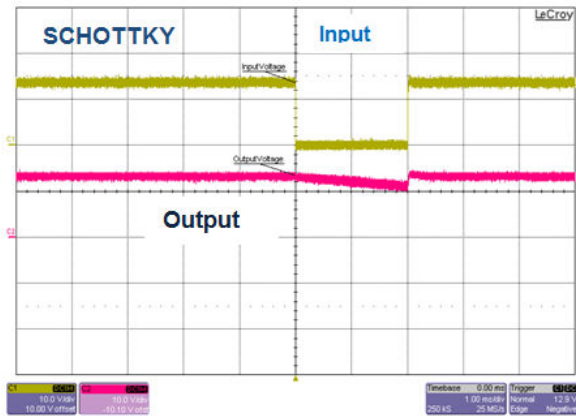


Figure 4-4. Input Short - Schottky Diode

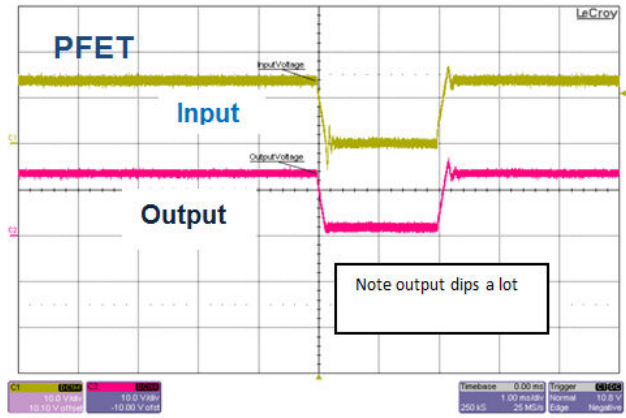


Figure 4-5. Input Short - P-Channel MOSFET

4.3 Diode Rectification During Line Disturbance

In automotive systems, the battery line is subjected to various disturbances and transients during normal operation of the vehicle. One of the key tests is the supply line disturbance called AC superimposed test where AC disturbance with 2 V - 4 V peak to peak and 20 Hz to 30 KHz is applied on the battery supply line and the subsystems are expected to run without any functionality loss.

The schottky diode rectifies the AC line disturbance by blocking the reverse current. Figure 4-6 shows the rectified output and input current which has the AC component added due to the injected AC line disturbance. Power dissipation on the schottky diode increases due to the increased RMS current multiplied by the forward drop. This additional heat needs to be managed for reliable operation during the AC superimposed test.

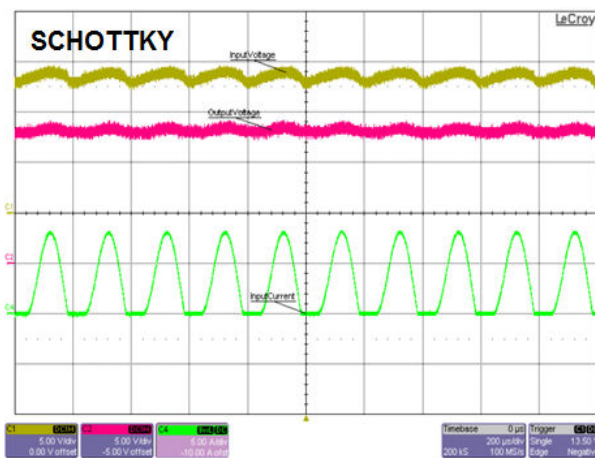


Figure 4-6. AC Superimposed Test - Schottky Diode

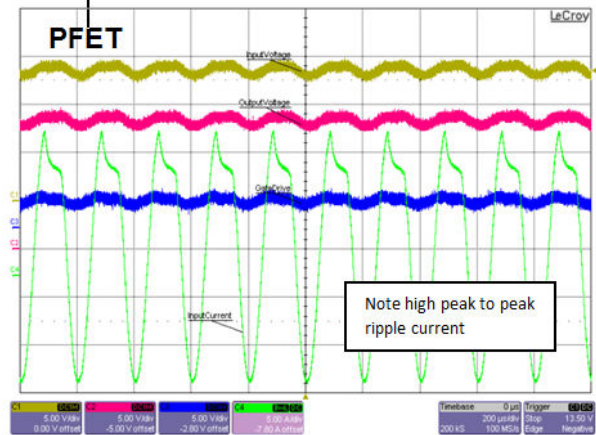


Figure 4-7. AC Superimposed Test - P-Channel MOSFET

Figure 4-7 shows the performance of P-Channel MOSFET circuit. Since the P-Channel MOSFET does not block reverse current, rectification of the line disturbance does not happen and this results in increased RMS input current. Power dissipation on the MOSFET may not be a major concern due to the low forward voltage drop as the MOSFET remains on, however, the RMS current of output electrolytic capacitors due to its ESR produces

additional heat on the capacitors. To prevent damage to the capacitors due to overheating, required capacitance can be split into multiple parallel capacitors to reduce the ESR. This adds to the system cost and space.

Rectification is possible by adding reverse current blocking functionality using an external comparator based methods, but this increases cost and space.

4.4 Reverse Battery Protection using N-Channel MOSFET

An alternate method of reverse battery protection is using an N-Channel MOSFET on the low side, such as the ground return path. The operating principle is similar to the P-Channel MOSFET in Figure 4-1. During normal operation, the body diode of the MOSFET is forward biased and conducts until the MOSFET is turned ON. MOSFET is turned ON quickly as the battery input charges the gate through the current limiting resistors. MOSFET turns OFF during static reverse battery or dynamic reverse battery conditions after the battery input starts to swing negative, as the gate-source voltage starts to go below MOSFET V_{th} and swings negative.

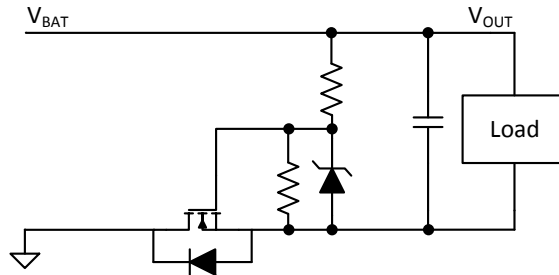


Figure 4-8. Reverse Battery Protection Using N-Channel MOSFET

Section 4.1 describes the performance during the dynamic reverse polarity is similar to the P-Channel MOSFET solution. However, a jump in the system ground voltage during turn ON/OFF or load current transients may not be tolerated by all systems and needs to be considered during system designs.

5 Reverse Polarity Protection vs Reverse Current Blocking

Reverse battery protection involves two aspects of protection, commonly referred to as reverse polarity protection (RPP) and reverse current blocking (RCB). Reverse polarity protection, also referred to as reverse hookup protection (RHP), prevents the load from getting damaged due to negative voltage at the input during a reversely connected battery or dynamic reverse polarity conditions during an inductive load disconnect from battery. Reverse polarity protection does not necessarily block reverse current flowing into the battery from the load or downstream DC/DC converters. In many automotive subsystems, large holdup capacitors are used to provide sufficient back up power during a short interruption of battery line or shorted battery input, so that the subsystem can function uninterrupted or perform maintenance housekeeping tasks such as memory dump before turning off. Reverse current blocking prevents reverse current from flowing back into the battery from the load and allows holdup capacitors to provide additional back up time for the subsystem to function during various dynamic reverse battery conditions or short interruptions.

One key difference between battery protection using schottky diode and protection using P-Channel MOSFET is the schottky diode blocks reverse current flowing from the load back into the battery all the time and inherently provides both reverse polarity protection and reverse current blocking. When the battery is connected with its terminal reversed, the schottky diode gets reverse biased and blocks reverse current from discharging the holdup capacitors connected to the load. This naturally isolates the load from the negative input voltage and provides reverse polarity protection to the load.

The battery protection shown in Figure 4-1 or in Figure 4-8 does not block reverse current from flowing back into the battery since the MOSFETs are turned off when the battery voltage is close the V_{th} of the MOSFETs and not as soon as the battery voltage starts to drop. During a input micro-short at the battery, holdup capacitors can be discharged to a voltage lower than the downstream DC/DC converters UVLO, leading to reset of the subsystem.

5.1 Reverse Polarity Protection Controller vs. Ideal Diode Controller

A reverse polarity protection controller when paired with an external N-channel MOSFET provides a low loss protection against input supply reversal. Reverse polarity protection controller does not provide reverse current blocking and is suitable for applications which need protection against input polarity reversal only.

An ideal diode controller when paired with an external N-channel MOSFET provides a low loss protection against both input supply reversal as well as reverse current flowing from output loads back to the input. Ideal diode controller is suitable for applications which need both input reverse polarity protection as well as reverse current blocking.

Figure 5-1 provides an overview of typical application use cases of reverse polarity protection controller and ideal diode controller. Typically for applications where output loads are DC/DC converters, voltage regulator followed by MCU/processors (Logic paths), input reverse polarity protection and reverse current blocking feature is required. For reverse polarity protection solution of the logic path ideal diode controller such as LM74700-Q1 is a suitable device.

For the input reverse polarity protection of loads which can potentially deliver energy back to the input supply such as Body Control Module (BCM) load driving paths, input reverse polarity protection is required but reverse current blocking is not a must have feature. For reverse polarity protection of similar applications, a reverse polarity protection controller such as LM74500-Q1 is a suitable device.

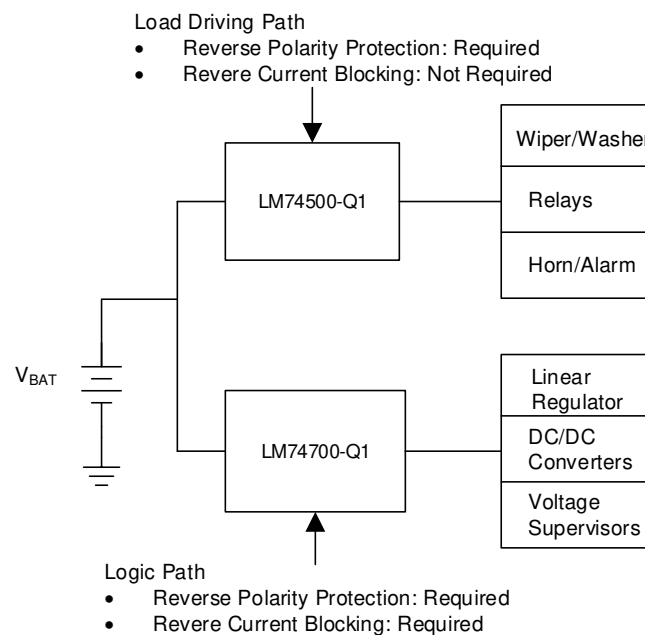


Figure 5-1. Typical Application Use Case of Reverse Polarity Protection Controller and Ideal Diode Controller

5.2 Performance Comparison of P-Channel and Reverse Polarity Protection Controller Based Solution

P-channel MOSFET based reverse polarity protection is a very commonly used scheme in industrial and automotive applications to achieve low insertion loss protection solution. A low loss reverse polarity protection solution can be realized using LM74500-Q1 with an external N-channel MOSFET to replace P-channel MOSFET based solution. LM74500-Q1 based reverse polarity protection solution offers better cold crank performance (low VIN operation) and smaller solution size compared to P-channel MOSFET based solution. Figure 5-2 compares

the performance benefits of LM74500-Q1 + N-channel MOSFET over traditional P-channel MOSFET based reverse polarity protection solution.

As shown in Figure 5-2, for a given power level LM74500-Q1+ N-channel MOSFET solution can be three times smaller than a similar power rated P-channel MOSFET solution. Also as P-channel MOSFET is self biased by simply pulling it's gate pin low and thus P-channel MOSFET shows poorer cold crank performance (low VIN operation) compared to LM74500-Q1. During severe cold crank where battery voltage falls below 4 V, P-channel MOSFET series resistance increases drastically as shown in Figure 5-2. This leads to higher voltage drop across the P-channel MOSFET. Also with higher gate to source threshold (V_T) this can sometimes lead to system reset due to turning off of the P-channel MOSFET. On the other side, LM74500-Q1 has excellent severe cold crank performance. LM74500-Q1 keeps external FET completely enhanced even when input voltage falls to 3.2 V during severe cold crank operation.

| Parameter | P-channel MOSFET | LM74500-Q1 + N-channel MOSFET |
|----------------------------------|-----------------------------------------|-------------------------------------------------------------------------------------------------------------------------------------------|
| Typical Application Diagram | | |
| Solution Size (Load current >6A) | 12mm x 11.7mm (140mm ²) | 7mm x 5.3mm (37.1mm ²) |
| Low VIN / Cold-Crank Performance | | Better cold crank performance compared to PFET based solution. External N-FET remains fully enhanced even if input voltage falls to 3.2V. |

Figure 5-2. Performance Comparison of P-channel MOSFET and LM74500-Q1 Based Reverse Polarity Protection Solution

6 What is an Ideal Diode Controller?

An ideal diode controller drives an external N-channel MOSFET to emulate an ideal diode with a very low forward voltage drop and negligible reverse current. Key features such as low operating quiescent current, very low shutdown current, regulated forward voltage, and fast reverse current response enable ideal diode controllers to emulate an ideal diode in variety of applications. The power MOSFET is connected in such way that its body diode blocks reverse current when the MOSFET is turned OFF. Forward voltage drop and power dissipation are reduced significantly as the MOSFET is turned ON during forward conduction. Ideal diode controllers sense the reverse current through MOSFET and turn it OFF, allowing the body diode to block reverse current. Ideal diode controllers can be classified into two types based on the gate control mechanism: Linear Regulation Control and Hysteretic ON/OFF Control.

6.1 Linear Regulation Control Vs Hysteretic ON/OFF Control

In linear regulation control, forward voltage of the MOSFET is regulated by controlling the gate voltage based on the load current. Linear regulation is achieved by controlling the gate voltage and thereby varying the $R_{DS(ON)}$ of the MOSFET based on load current. At nominal load currents, gate-source voltage is maintained above the MOSFETs V_{th} and at lower load currents, gate-source voltage is maintained close to MOSFETs V_{th} with increased $R_{DS(ON)}$. At higher load currents, gate-source voltage is parked close to the maximum gate drive voltage, operating close to lowest possible $R_{DS(ON)}$. Choosing the MOSFET based on the operating power requirements helps maintain the MOSFET under regulation during most of the load conditions. Linear regulation of the forward voltage along with a fast reverse current blocking helps ensure zero DC current flows back into the input. Further, it also minimizes the peak reverse current during an input supply failure, input supply transients or input supply droop.

In Hysteretic ON/OFF control, MOSFET is fully turned ON when the forward turn ON comparator threshold V_{FWD_ON} is exceeded and turned OFF when the reverse comparator threshold V_{REV_OFF} is reached. When the MOSFET is ON, the gate is fully enhanced and the gate-source voltage is not controlled depending on the load current. MOSFET is turned off when the reverse current reaches $V_{REV_OFF} / R_{DS(ON)}$. Note that the MOSFET cannot turn OFF if a reverse current less than $V_{REV_OFF} / R_{DS(ON)}$ flows. The reverse turn off threshold V_{REV_OFF} is fixed negative value or programmable allowing small positive value. In ideal diode controllers where the reverse comparator threshold is programmable and can be set to a small positive value, the DC reverse current can be completely blocked. Additionally, setting the reverse comparator threshold to a small positive value can require a minimum forward load current $V_{REV_OFF} / R_{DS(ON)}$ to turn ON the MOSFET. If a minimum forward load current is not maintained, MOSFET can turn ON/OFF continuously leading to sustained oscillation of the gate voltage.

Table 6-1. Linear Regulation Control vs. Hysteretic ON/OFF Control

| IDEAL DIODE CONTROLLER | OPERATING RANGE (ABSOLUTE MAXIMUM RATINGS) | LINEAR REGULATION CONTROL | HYSTERETIC ON/OFF CONTROL |
|---------------------------|--------------------------------------------|---------------------------|---------------------------|
| LM74700-Q1 | ±65 V | Yes | No |
| LM74610-Q1 | ±45 V | No | Yes |
| LM5050-1 and LM5050-1-Q1 | ±100 V | Yes | No |
| LM5050-2 | ±100 V | Yes | No |
| TPS2410 and TPS2412 | ±18 V | Yes | No |
| TPS2411 and TPS2413 | ±18 V | No | Yes |
| TPS2419 | ±18 V | No | Yes |
| LM74701-Q1 | ±65 V | Yes | No |
| LM7472x-Q1 | ±70 V | Yes | No |
| LM74800-Q1 and LM74810-Q1 | ±70 V | Yes | No |
| LM74801-Q1 | ±70 V | No | Yes |

A typical application schematic in [Figure 6-1](#) shows the LM74700-Q1 ideal diode controller driving an external N-Channel MOSFET. MOSFET is connected with its source tied to the input so that body diode blocks the reverse current when turned OFF. The charge pump capacitor is connected between Anode and VCAP to provide sufficient gate drive voltage to turn on the MOSFET. EN pin is used to turn the MOSFET ON, providing regulated low forward drop across anode to cathode during normal operation. Pulling down the EN pin turns OFF the MOSFET and the controller goes into low shutdown current mode. When the MOSFET is turned OFF, the load can still draw power through body diode of the MOSFET.

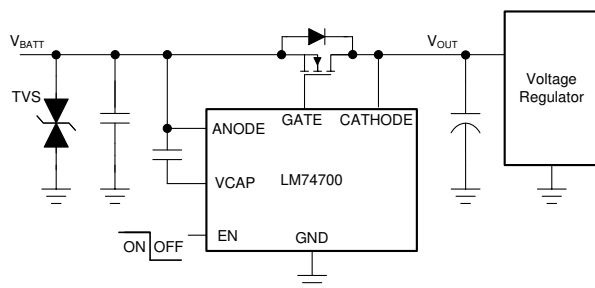


Figure 6-1. Ideal Diode Controller - Typical Application Schematic

This section discusses the key performance features of the LM74700-Q1 using the functional block diagram shown in Figure 6-2. Ideal diode controllers have an internal charge pump to drive the gate of MOSFET sufficiently higher than anode during normal operation, forward comparator to turn ON and reverse current comparator to turn OFF when reverse current is detected, allowing the MOSFET body diode to block reverse DC current completely.

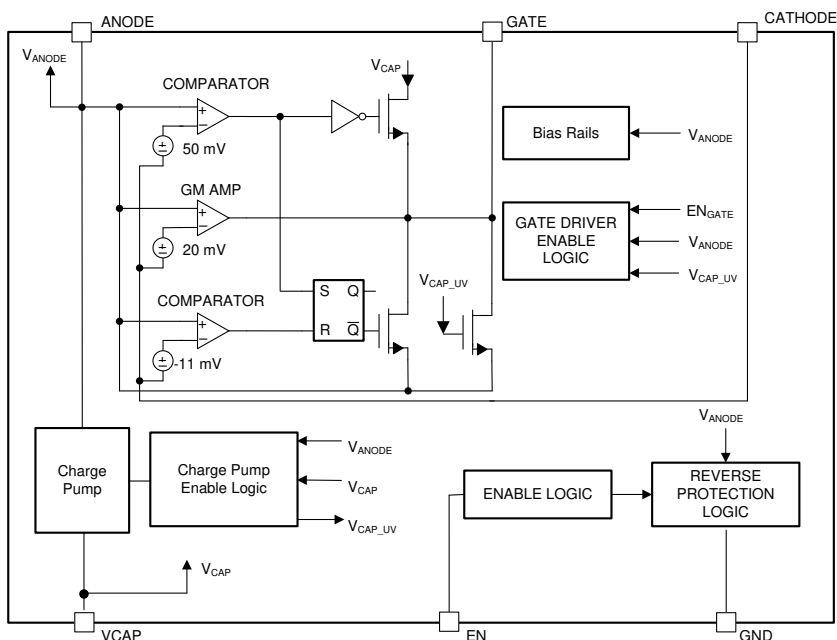


Figure 6-2. Block Diagram of Ideal Diode Controller

6.2 Low Forward Conduction Loss

Forward voltage drop of schottky diodes increases the forward conduction power loss and requires thermal management using heat sink and requires PCB space leading to increased cost. Ideal diode controllers use an external MOSFET to reduce the forward voltage to 20 mV or lower, depending on the control scheme. Linear regulation control scheme maintains 20 mV forward voltage during most of the operating current range. Hysteretic ON/OFF control fully enhances the MOSFET to reduce the forward voltage and the forward drop is decided solely based on the MOSFET used.

Forward voltage of the MOSFET DMT6007LFG driven by ideal diode controller is compared against forward voltage of schottky diode STPS20M60S in Figure 6-3. An ideal diode controller using linear regulation scheme regulates the forward voltage to low 20 mV up to load current = $20 \text{ mV} / R_{DS(MIN)}$ and load current higher than $20 \text{ mV} / R_{DS(MIN)}$ forward voltage solely depends on MOSFETs $R_{RD(ON)}$. In Figure 6-3, MOSFET is regulated to 20 mV forward voltage up to 5.7 A and beyond 5.7, a MOSFET is fully enhanced and forward voltage increases based on load current. At 10 A, low forward voltage drop is reduced to 35 mV against 465 mV using a Schottky diode. LM74722-Q1 ideal diode controller offers an even lower forward voltage drop of 13 mV, providing further improvement in power efficiency.

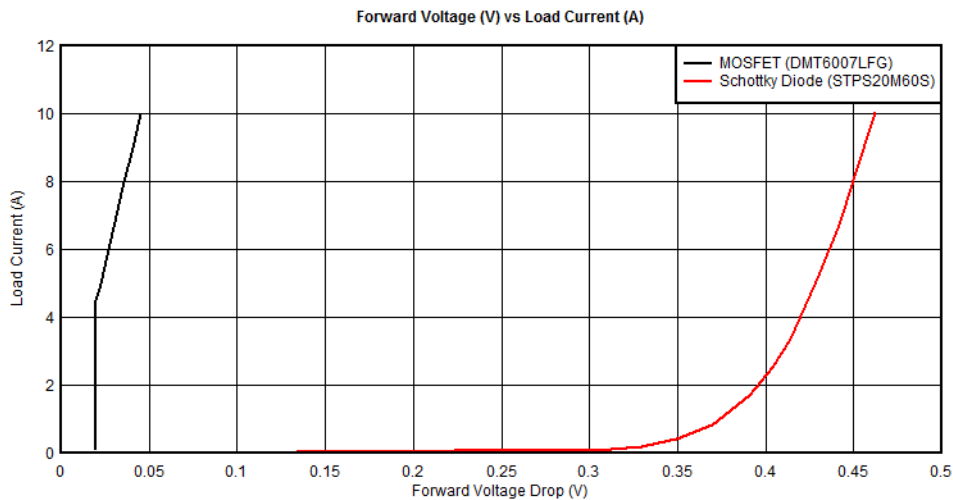


Figure 6-3. Forward Voltage Vs Load Current

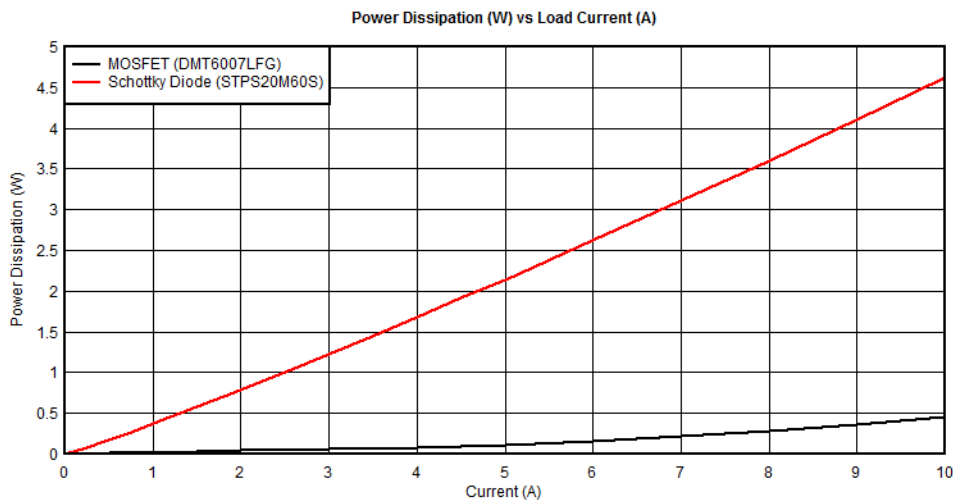


Figure 6-4. Power Dissipation Vs Load Current

Figure 6-4 shows the power dissipation comparison between schottky diode and ideal diode controller. At a 10 A load current, DMT6005LPS-13 MOSFET dissipates 0.35 W of power, whereas schottky diode STPS20M60S dissipates 4.65 W of power leading to more than 10x power saving when using ideal diode controller and MOSFET.

6.3 Fast Reverse Recovery

During input supply failure or micro-short conditions, huge reverse current can flow into the input, discharging the load capacitors used for holdup. Ideal diode controllers feature a very fast reverse comparator and strong gate drive to pull down the gate to source voltage to turn OFF the MOSFET. The internal reverse comparator monitors the voltage across anode and cathode and if it exceeds the reverse current threshold, external MOSFETs gate is shorted to anode (source) with strong pulldown current. Reverse comparator delay and gate pulldown current determine how fast the MOSFET can be turned off. Total reverse current turn off delay includes reverse comparator delay and MOSFET turn off delay.

TI's ideal diode controller LM74700-Q1 features a very low reverse comparator delay of 0.75 μ s maximum and gate pulldown current of 2.37A. A MOSFET with 5 nF of gate capacitance can be turned off within 0.75 μ s + 21 ns = 0.77 μ s, with 21 ns required to discharge 5 nF gate capacitance by 2.37 A of gate pulldown current.

Figure 6-5 shows LM74700-Q1 reacting quickly within 0.77 μ s to a short circuit at battery input. This prevents hold capacitors at the output from discharged into the shorted battery input line.

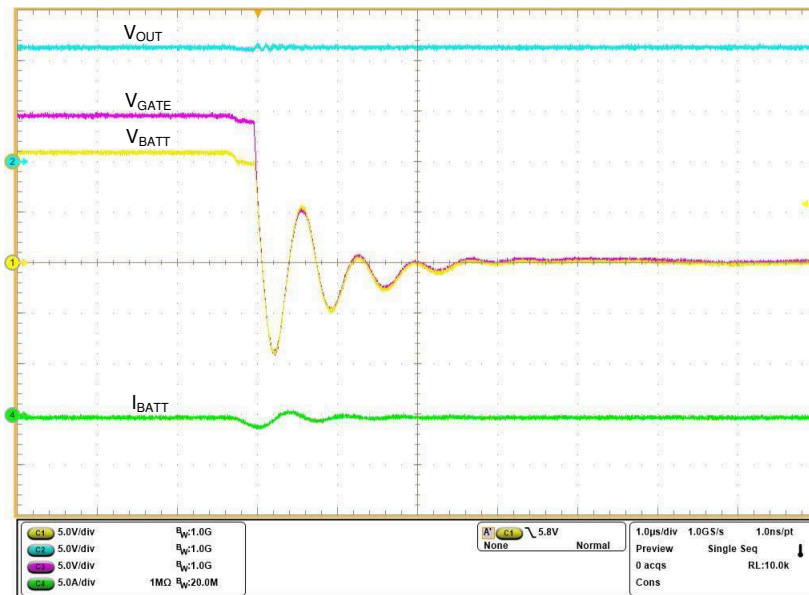


Figure 6-5. Input Short Circuit Response of LM74700-Q1

6.4 Very Low Shutdown Current

In automotive applications, very low shutdown current is a requirement to meet the overall system requirement of less than 100 μA where many battery powered subsystems co-exist. TI's ideal diode controller LM74700-Q1 features a very low shutdown current of 1.5 μA maximum to meet the automotive system requirements. This also helps many other battery powered or energy harvesting applications where low shutdown current is preferred.

6.5 Fast Load Transient Response

Ideal diode controllers operating with linear regulation control scheme maintain low forward voltage by controlling the gate-source voltage depending on load current. Gate-source voltage is lower at light load conditions and increases as the load current increases. While linear regulation scheme helps achieve zero DC reverse current, it can be disadvantageous to have low gate-source voltage during a sudden load transient from light load to heavy load. At lighter loads, gate-source voltage is operated just above V_{th} of MOSFET and the $R_{DS(ON)}$ is higher (than nominal) to meet to forward regulation, $R_{DS(ON)_LIGHT_LOAD} = 20\text{ mV} / I_{LIGHT_LOAD}$. When the load suddenly changes from light load to higher loads, the gate of the MOSFET needs to quickly charge from lower voltage to higher voltage to meet the sudden increased load demand. If the gate is not quickly charged, output voltage sees a worst case voltage drop equal to $I_{HEAVY_LOAD} \times R_{DS(ON)_LIGHT_LOAD}$, but not more than MOSFETs body diode drop. In many ORing applications this droop in output voltage may not be acceptable as this reduces the headroom of power supply downstream.

TI's ideal diode controller LM74700-Q1 features 11 mA peak source current when forward drop exceeds 50 mV. This feature helps in quickly charging the gate during fast load transient minimizing supply voltage droop. [Figure 6-6](#) shows the load transient response of the LM74700-Q1 when load changes from 10 mA light load to 5 A suddenly. Output voltage drop is minimized to <50 mV as the controller quickly reacts and enhances the MOSFETs gate quickly.

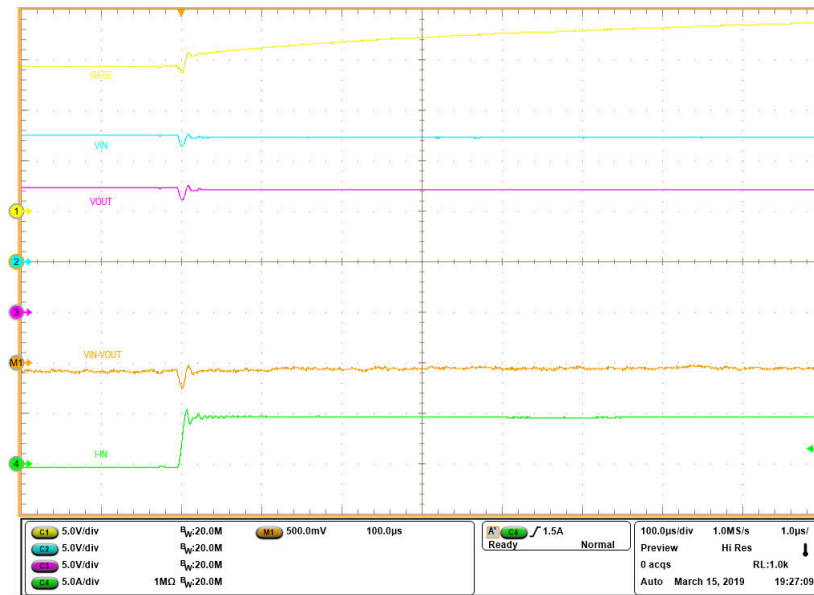


Figure 6-6. Fast Load Transient Response of LM74700-Q1

6.6 Additional Features in Ideal Diode Controllers

In addition to the features discussed above, ideal diode controllers can also support multiple other features like over voltage protection, inrush current control, TVS less operation. These features are explained in detail the sections below.

6.6.1 Back-to-Back FET Driving Ideal Diode Controllers

Ideal Diode controllers such as [LM7480-Q1](#) and [LM7472x-Q1](#) can drive and control external back to back N-Channel MOSFETs to emulate an ideal diode rectifier with power path ON/OFF control, inrush current limiting and over voltage protection. Load disconnection during an overvoltage fault such as load-dump allows use of low voltage downstream components, enabling dense ECU designs such as ADAS camera, USB Hubs, LIDAR, and TCU. LM7480x-Q1 and LM7472x-Q1 have separate GATE controls for ideal diode control and ON/OFF control.

Automotive ECU designs powered from a vehicle battery need to be load dump tolerant. For the 12-V car battery based designs, the suppressed load dump peak specification is 35-V. For the system designs without the centralized load dump suppression, the surge voltage due to unsuppressed load dump can peak up to 101 V in 12-V systems and 202 V in 24-V battery based systems as per the ISO-16750-2 standard. Conventional solutions use several high-power TVS stacks (SMD sized) to clamp to a safe level (below the downstream absolute maximum voltages) during the unsuppressed load dump resulting in an increase in overall solution size and BoM cost of the front-end protection circuit.

The LM7480-Q1 controller with the external MOSFETs configured in common source topology as shown in [Figure 6-7](#) below provides unsuppressed load dump protection.

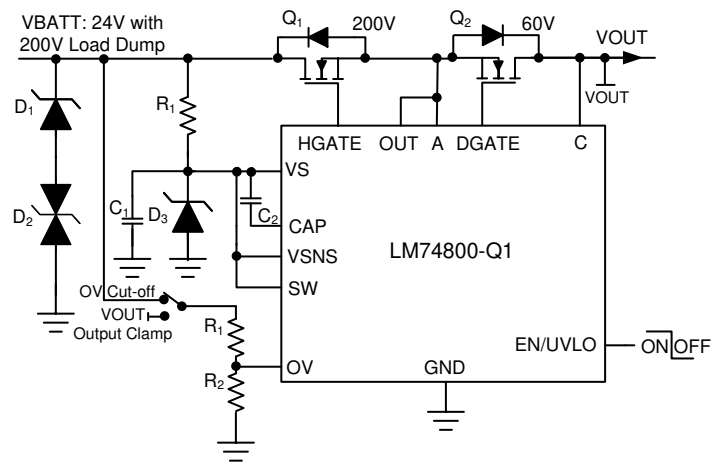


Figure 6-7. Application Circuit for 200V Unsuppressed Load Dump Protection

6.6.2 Very Low Quiescent Current

For battery-operated electronic systems in automotive applications, battery supply remains on even when ignition is off, to support features like remote key entry and security which are required even in ignition-off state. To maximize battery life, there is a need for power protection solutions to provide robust reverse protection while maintaining low supply current.

In an automotive system, the low IQ during sleep mode/ignition off state is generally achieved by following approaches:

1. An external IGN connection is commonly found in redundant supply input-based ECU designs. Such a design uses extra wiring to the ECU.
2. An internal control signal from micro controller is used to pull EN low to disable the device. If the digital and power sections of the design are far apart or on separate boards, this signal becomes prone to noise and unknown state, making the overall operation unreliable.

LM7472x-Q1 devices enable <35uA quiescent current without dependency on MCU EN control signal or an external signal through a wire, making the device more suitable in comparison.

6.6.3 TVSless Operation

The increase in processing power levels and miniaturized electronic system sizes has increased the demand for high efficiency and high power density designs. This poses new challenges for system designers particularly in designing automotive front-end protection systems. Devices such as LM74701-Q1 and LM74721-Q1 enable a smaller solution size and lower cost, making these devices suitable for designing input reverse polarity protection of space constrained applications such as ADAS camera modules. These devices use integrated active clamping to limit the input voltage levels during negative transient pulses. When the voltage across Drain and Source of the external MOSFET reaches V_{DS_CLAMP} level, the external MOSFET is operated in saturation region, operating as an active clamp element and dissipates transient pulse energy of events such as ISO7637-2 pulse 1 negative transient. During the VDS clamp operation device allows flow of reverse current from output capacitor back to the input source. VDS clamp threshold is selected such that it does not engage into VDS clamp mode for automotive EMC tests where reverse current blocking is needed such as AC superimpose performance (LV124,E-06, ISO16750-2) and Input micro short interruption events (LV124, E-10) ensuring robust EMC performance. For further details on how to design input-side TVS-less reverse polarity protection solution, refer to data sheet LM74701-Q1

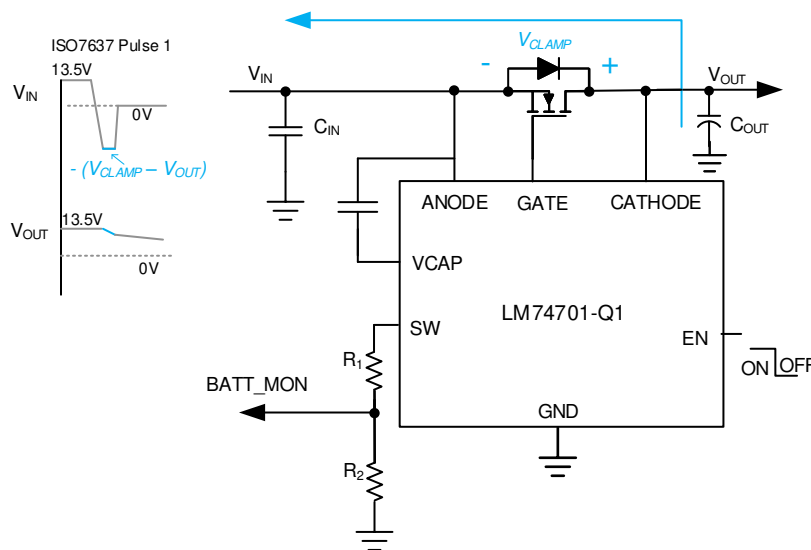


Figure 6-8. LM74701-Q1 Operation During VDS Clamp Mode

In applications such as body control module load driving paths, where input reverse polarity protection is required but reverse current blocking is not a must-have requirement, LM74501-Q1 enables TVSless operation using a gate discharge timer feature, offering space and price advantages. For further details, refer to [LM74501](#) data sheet.

7 Automotive Transient protection with Ideal Diode Controllers

Ideal diode controllers drive external N-channel MOSFETs to emulate ideal diodes. As described earlier, ideal diode controllers have a built-in charge pump to drive the gate of MOSFET sufficiently higher than anode during normal operation and reverse current comparator to turn off when reverse current is detected, allowing the MOSFET body diode to block reverse current completely. This enables the ideal diode controllers to be used in reverse battery protection.

7.1 LM74700-Q1 with N-Channel MOSFET

Figure 7-1 shows a typical 12 V reverse battery protection circuit using the LM74700-Q1. The MOSFET body diode is oriented correctly to block reverse current flowing back in to the battery when the LM74700 is turned off. When battery power is applied through anode, body diode of the MOSFET initially conducts before the MOSFET is turned on. During startup, when the anode voltage reaches POR threshold, the internal charge pump turns on and starts to drive the gate of MOSFET higher than the anode (source of MOSFET), thereby turning on the MOSFET. If the battery is installed with reverse polarity or wired incorrectly during maintenance or repair, the MOSFET is off already and body diode of the MOSFET blocks reverse current. This prevents negative voltage from appearing on the output and protects the downstream circuit from damage.

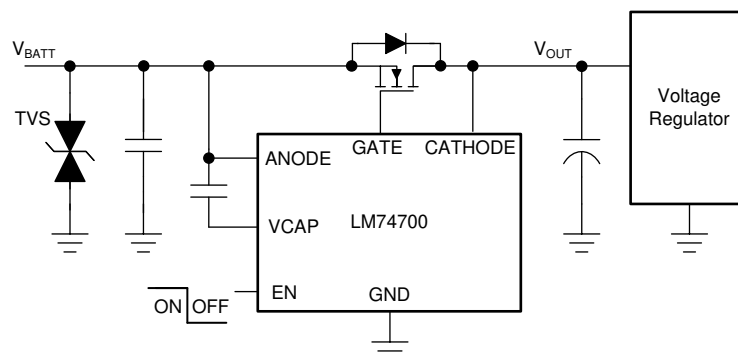


Figure 7-1. Reverse Battery Protection Using LM74700-Q1

7.2 Static Reverse Polarity

During maintenance of the car battery or jump start of the vehicle, the battery can be connected in reverse polarity during reinstallation. When the battery is connected with reversed polarity, the LM74700-Q1 remains turned off to protect the downstream circuits and components from damage. In [Figure 7-2](#), output voltage remains protected when a reverse battery connection of -12 V is applied at its input.

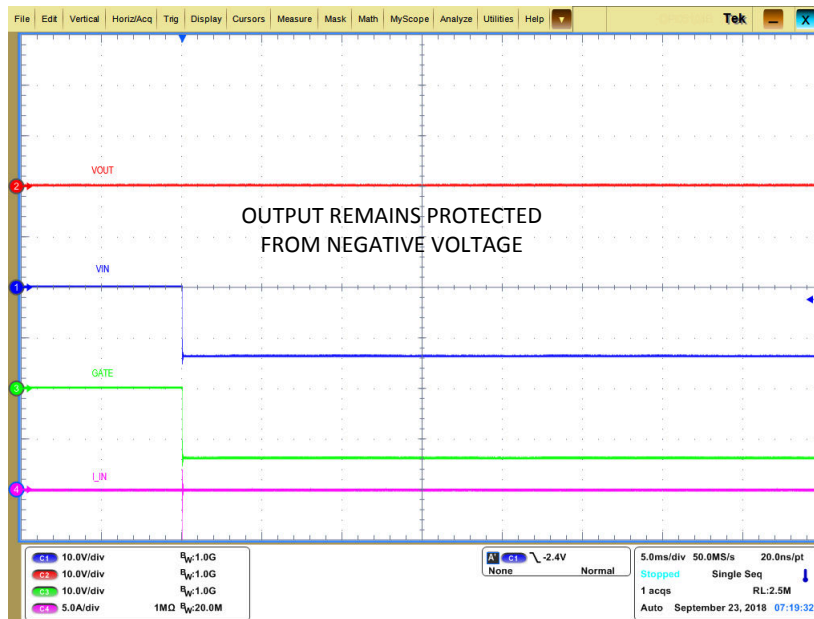


Figure 7-2. LM74700-Q1 Response to Static Reverse Polarity

7.3 Dynamic Reverse Polarity

During dynamic reverse polarity conditions specified in ISO 7637-2 Pulse 1, negative transient voltage as low as -150 V is applied at the 12-V battery supply line with 10-Ω generator impedance for 2 ms and -600 V at the 24-V battery supply line with 50-Ω generator impedance for 1 ms. [Figure 7-3](#) shows the response of the LM74700-Q1 to ISO 7637-2 Pulse 1 applied at the input. Before the test pulse is applied, the MOSFET is ON and allows the load current to pass through. When the ISO 7637-2 test pulse 1 is applied at the battery input, the load current starts to reverse quickly and tries to pull the output voltage negative. LM74700-Q1 detects the reverse current and turns OFF the MOSFET within 0.75 μs to block reverse current and prevents the output from going negative. Generally, bulk holdup capacitors are used after the ideal diode circuit provides energy to rest of the module during such transients. The LM74700-Q1 turns off the MOSFET quickly within 0.75 μs to prevent discharge of the bulk holdup capacitors. Note that the input TVS is required to clamp the voltage from exceeding the absolute maximum ratings of LM74700-Q1 and MOSFET.

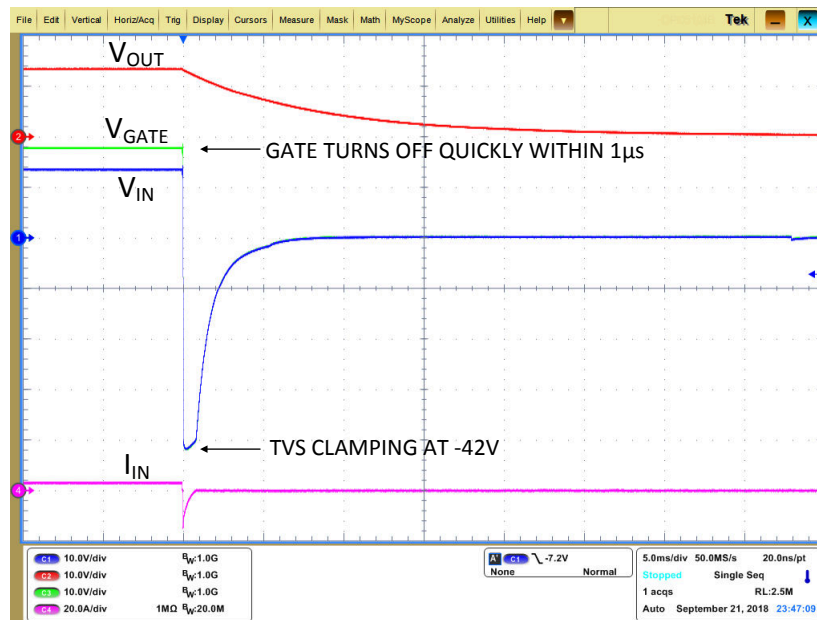


Figure 7-3. LM74700-Q1 Response to ISO 7637-2 Pulse 1

7.4 Input Micro-Short

Many power systems are required to withstand short interruption in supply line or input micro-short and continue to function uninterrupted. In Figure 7-4, when the input micro-short is applied at the input, the LM74700-Q1 reacts quickly to turn off the MOSFET to block reverse current from flowing back into the shorted supply. Output remains ON during the input short as the output hold-up capacitors are isolated from input short and supply load current until the input recovers from micro-short. Note that after the MOSFET is turned off, input current rings due to the parasitic inductance in the supply path and does not contribute to reverse current.

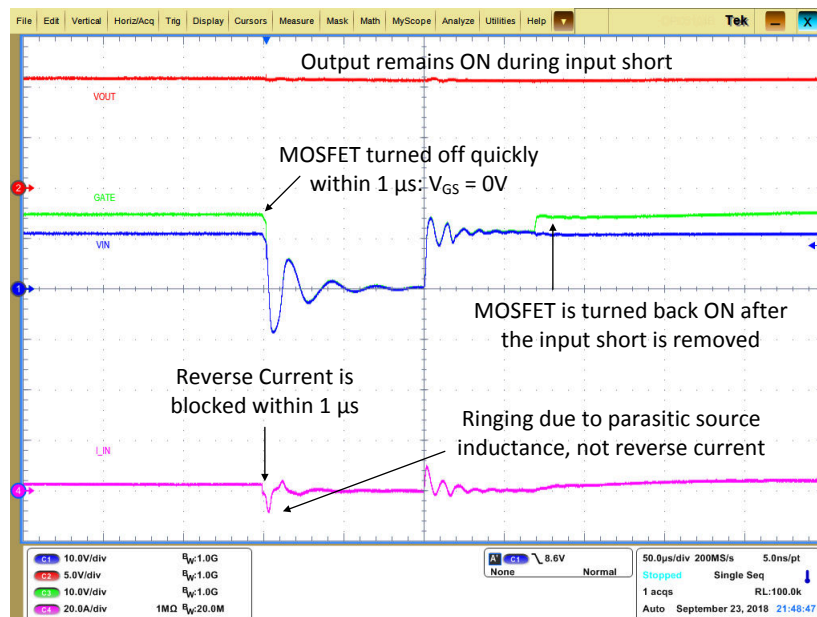


Figure 7-4. LM74700-Q1 Response to Input Micro-short

7.5 Diode Rectification of Supply Line disturbance

Fast reverse current blocking and fast reverse recovery capability of Ideal Diode Controllers help in active rectification of the AC disturbance by turning on and off every cycle. The Ideal Diode controller detects reverse current flowing back into the supply during the test and turns OFF the GATE quickly thereby reducing the

RMS value of input current by half. Power dissipation in the MOSFET during the test is reduced due to low forward voltage drop. **Figure 7-5** shows the performance of LM74700-Q1 during supply line disturbance or the AC superimposed test.

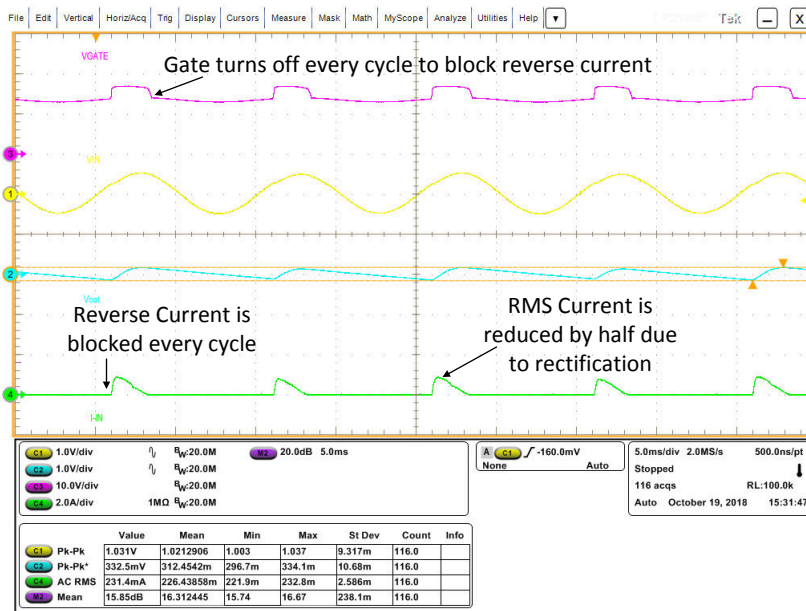


Figure 7-5. LM74700-Q1 AC Superimposed Test

Faster turn on and turn off speed of ideal diode gate drivers such as that of LM7472x-Q1, enables active rectification during AC superimpose scenario defined by ISO16750 and LV124, E-06 tests. Active rectification during AC superimpose performance results in lower ripple current and thus enables low power loss across external MOSFET and output electrolytic capacitors.

In the design of mild-hybrid vehicle power trees, the frequency applied during ACS can be up to 200 KHz so as to tailor it to the ripple of the crawl-pole Lundell alternator. Hence, the protection device used with DC-DC converters need to be insensitive to frequencies up to 200KHz. Key performance features such as very low forward voltage drop, fast gate drive, fast reverse recovery response and integrated boost converter enables the LM74722-Q1 ideal diode controller to achieve active rectification of AC voltage ripple up to 200 kHz.

8 ORing Power Supplies with Ideal Diode Controllers

The LM74700-Q1 combined with external N-Channel MOSFETs can be used in OR-ing Solution as shown in **Figure 8-1**. The forward diode drop is reduced as the external N-Channel MOSFET is turned ON during normal operation. The LM74700-Q1 quickly detects the reverse current and quickly pulls down the MOSFET gate, leaving the body diode of the MOSFET to block the reverse current flow.

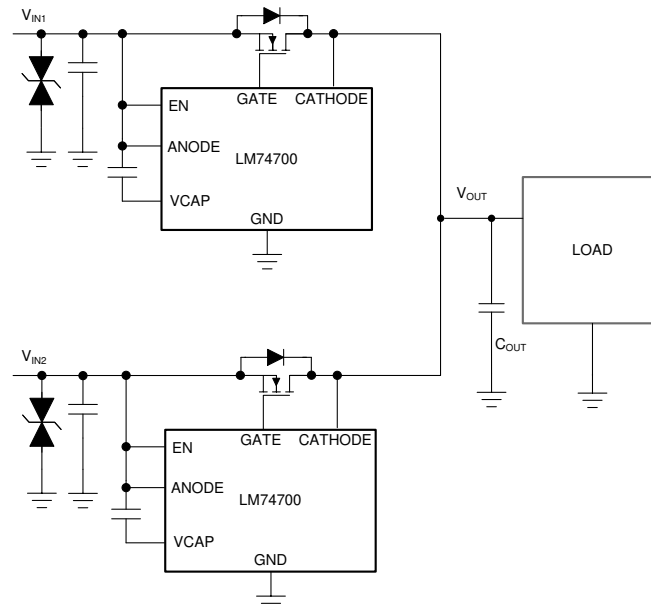


Figure 8-1. Typical OR-ing Application

An effective OR-ing solution needs to be extremely fast to limit the reverse current amount and duration. The LM74700-Q1 devices in an OR-ing configuration constantly sense the voltage difference between anode and cathode pins, which are the voltage levels at the power sources (V_{IN1} , V_{IN2}) and the common load point respectively. The source to drain voltage V_{DS} of the MOSFET is monitored by the anode and cathode pins of the LM74700-Q1. A fast comparator shuts down the gate drive through a fast pulldown within $0.75 \mu s$ (typical) as soon as $V_{(IN)} - V_{(OUT)}$ falls below $-11 mV$. It turns on the gate with $11 mA$ gate charge current once the differential forward voltage $V_{(IN)} - V_{(OUT)}$ exceeds $50 mV$.

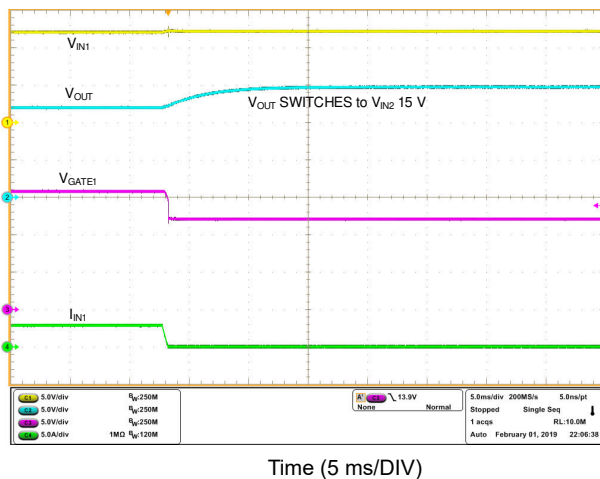


Figure 8-2. ORing V_{IN1} to V_{IN2} Switch Over

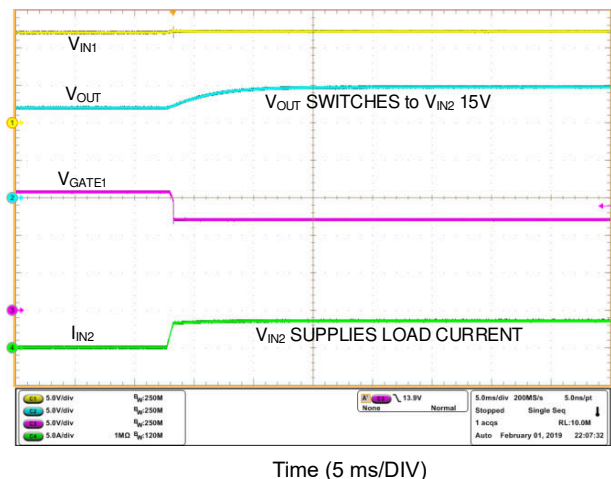
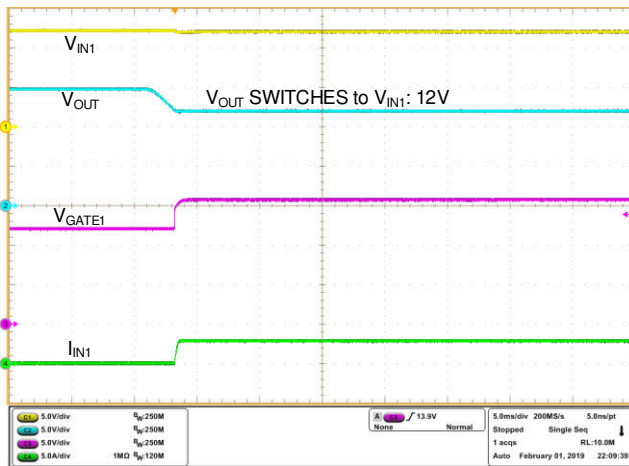
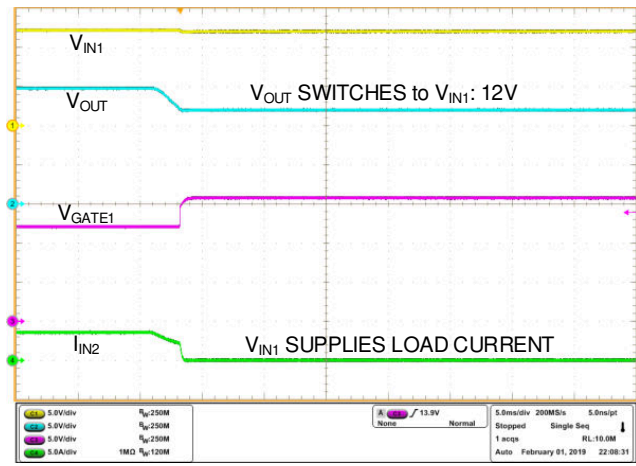


Figure 8-3. ORing V_{IN1} to V_{IN2} Switch Over



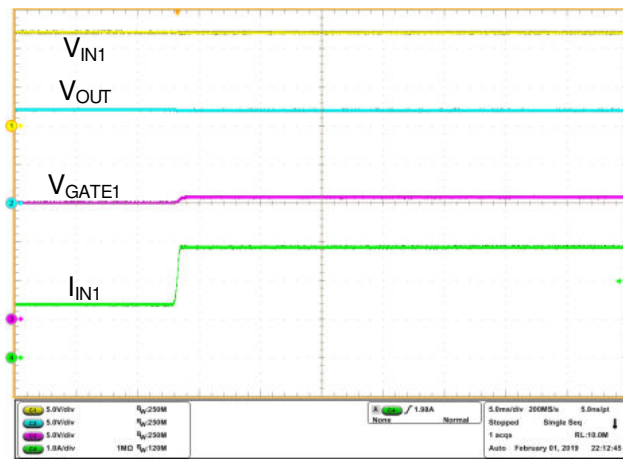
Time (5 ms/DIV)

Figure 8-4. ORing V_{IN2} to V_{IN1} Switch Over



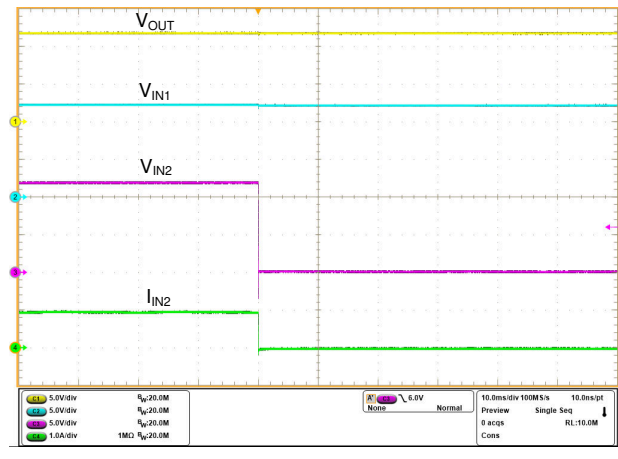
Time (5 ms/DIV)

Figure 8-5. ORing V_{IN2} to V_{IN1} Switch Over



Time (5 ms/DIV)

Figure 8-6. ORing - V_{IN2} Failure and Switch Over to V_{IN1}



Time (10 ms/DIV)

Figure 8-7. ORing - V_{IN2} Failure and Switch Over to V_{IN1}

Figure 8-2 to Figure 8-5 show the smooth switch over between two power supply rails V_{IN1} at 12 V and V_{IN2} at 15 V. Figure 8-6 and Figure 8-7 illustrate the performance when V_{IN2} fails. The LM74700-Q1 controlling V_{IN2} power rail turns off quickly, so that the output remains uninterrupted and V_{IN1} is protected from V_{IN2} failure.

Power dissipation and its associated thermal management issues of using a schottky diode are minimized due to the low forward voltage drop of ideal diode controllers. MOSFETs do not have leakage currents as high as a schottky diode at high temperatures and using MOSFETs reduces the reverse leakage loss. This improves overall efficiency and reliability of the system.

Load sharing concerns due to schottky diode difference in forward voltage and its negative temperature coefficient are not present when using ideal diode controllers. Further, the linear regulation of forward voltage drop enhances load sharing between power supplies.

9 Integrated Ideal Diode Solution

For lower voltage applications, such as backup battery solutions, an integrated ideal diode solution can be used. The LM66100 uses a P-channel MOSFET and integrates the functionality of an ideal diode into a single device.

A typical application schematic in Figure 9-1 shows the LM66100 ideal diode in a reverse current blocking (RCB) circuit. The chip enable works by comparing the CE pin voltage to the input voltage. When the CE pin voltage is higher than V_{IN} , the device is disabled and the PMOS is turned off. When the CE pin voltage is lower than V_{IN} , then the MOSFET is on and the device operates with low forward voltage drop. By connecting the CE pin to VOUT in this configuration, this ensures that the MOSFET is disabled whenever the output voltage is forced higher than the input voltage. The LM66100 integrated ideal diode also integrates reverse polarity/battery protection, which helps to prevent damage to the upstream battery if it is wired incorrectly.

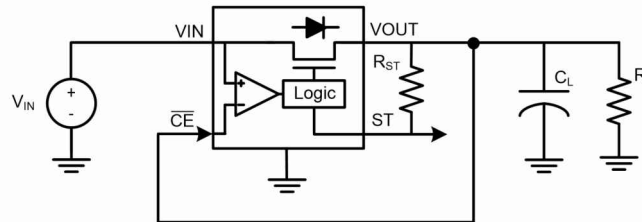


Figure 9-1. LM66100 Reverse Current Blocking Circuit

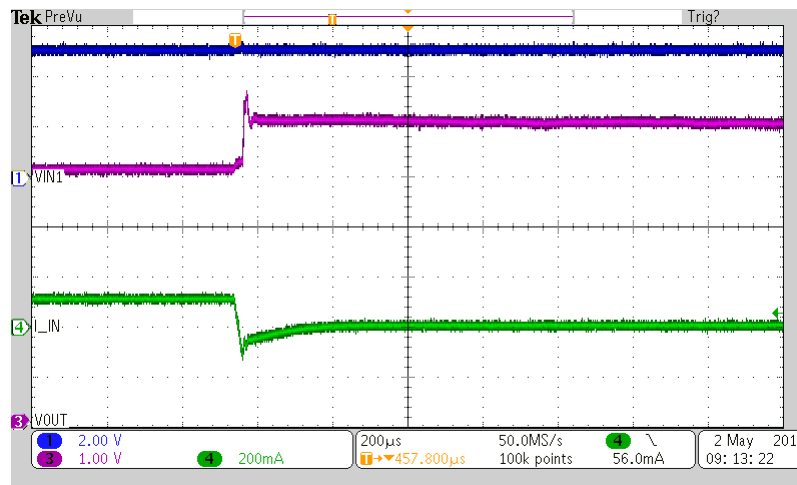


Figure 9-2. Reverse Current Blocking Waveform

Similar to the ideal diode controllers, the LM66100 can also be used in redundant power architectures for ORing between power supplies. By using two LM66100s with the CE pins tied to the other input voltage channel. This ensures that the highest input supply voltage is selected as the output. Since the highest supply is always be selected, the solution allows for a make-before-break configuration, which prevents any reverse current flow between the input supplies.

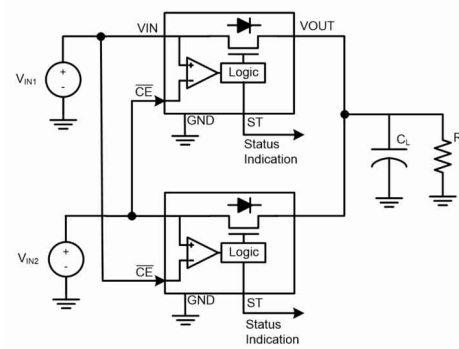


Figure 9-3. LM66100 ORing Solution

Figure 9-4 shows a typical switchover event from VIN1 to VIN2. During this switchover event, VIN1 decays causing the LM66100 to switch to VIN2, while blocking reverse current from entering VIN1.

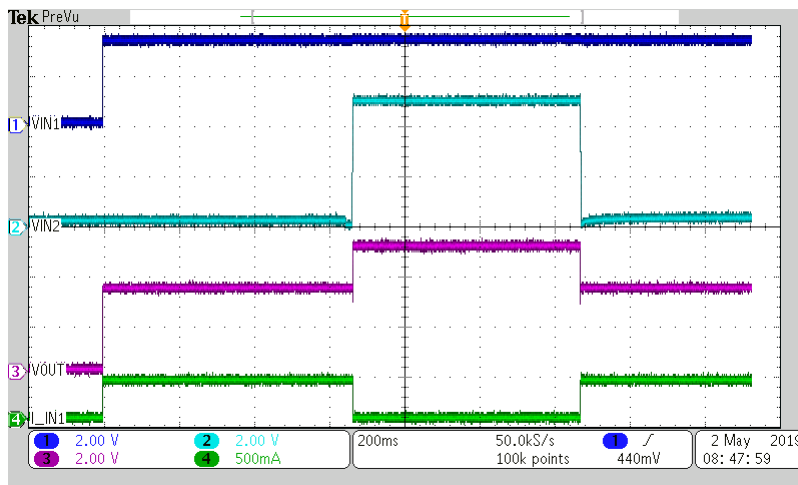


Figure 9-4. LM66100 Switchover from IN1 to IN2

The LM66100 integrated ideal diode also contains the same advantages as the ideal diode controllers, when compared to a discrete diode or FET solution. During normal operation, the LM66100 has a lower forward conduction loss when compared to a discrete diode. Instead of operating with the normal 0.3 V–0.4 V drop of a discrete diode, the power loss across the LM66100 is minimized across the MOSFET instead. This results in a lower power dissipation, leading to a higher power savings for applications.

The LM66100 also has a fast reverse voltage recovery time when compared to a discrete FET. While a discrete FET does not turn off until the voltage drops below the V_{TH} of the FET, the LM66100 stops reverse current within t_{OFF} once the voltage on the output rises above the input. This helps prevent output capacitors from discharging current back into the upstream supply, which can damage components such as input batteries or PSUs.

Table 9-1. LM66100 Comparison

| FEATURE | IDEAL DIODE CONTROLLER | LM66100 | DISCRETE DIODE | DISCRETE FET |
|-----------------------------|------------------------|---------|----------------|---------------------------|
| Low Power Dissipation | ✓ | ✓ | | ✓ |
| Low Reverse Leakage Current | ✓ | ✓ | ✓ | |
| Reverse Polarity Protection | ✓ | ✓ | ✓ | *(additional components)* |

10 Summary

This application note discusses the benefits of using Texas Instruments ideal diode controllers in reverse battery protection and ORing applications. The report discusses performance of the LM74700-Q1 Ideal diode controller during front-end input protection tests such as dynamic reverse polarity, input micro-short, and power line disturbance and compares it to existing methods. Key features such as low forward conduction loss, fast reverse recovery, true reverse current blocking, and fast load transient response enables the ideal diode controller LM74700-Q1 to provide more efficient and robust reverse battery protection.

Key benefits such as low forward conduction loss, reduced leakage, and simplified load sharing enables the ideal diode controller to OR power supplies more efficiently and reliably.

11 References

- Texas Instruments, [LM74700-Q1 Low \$I_Q\$ Reverse Battery Protection Ideal Diode Controller](#) data sheet.
- Texas Instruments, [Reverse Current / Battery Protection Circuits](#) application note.
- Texas Instruments, [Full Featured N+1 and ORing Power Rail Controller](#) data sheet.

12 Revision History

NOTE: Page numbers for previous revisions may differ from page numbers in the current version.

| Changes from Revision A (February 2021) to Revision B (October 2021) | Page |
|-----------------------------------------------------------------------------------------------------------------|------|
| • Updated table with new devices..... | 10 |
| • Updated <i>low forward conduction loss</i> with enhancement in forward voltage obtained using LM7472x-Q1..... | 11 |
| • Added Back-to-Back FET Driving Ideal Diode Controllers topic..... | 14 |
| • Added Very Low Quiescent Current topic..... | 15 |
| • Added new <i>TVSless Operation</i> topic..... | 15 |
| • Updated topic to include performance enhancement obtained using LM7472x..... | 18 |

| Changes from Revision * (May 2019) to Revision A (February 2021) | Page |
|--------------------------------------------------------------------------------------------------------------------|------|
| • Added Reverse Polarity Protection Controller vs. Ideal Diode Controller section..... | 8 |
| • Added Performance Comparison of P-Channel and Reverse Polarity Protection Controller Based Solution section..... | 8 |

IMPORTANT NOTICE AND DISCLAIMER

TI PROVIDES TECHNICAL AND RELIABILITY DATA (INCLUDING DATASHEETS), DESIGN RESOURCES (INCLUDING REFERENCE DESIGNS), APPLICATION OR OTHER DESIGN ADVICE, WEB TOOLS, SAFETY INFORMATION, AND OTHER RESOURCES "AS IS" AND WITH ALL FAULTS, AND DISCLAIMS ALL WARRANTIES, EXPRESS AND IMPLIED, INCLUDING WITHOUT LIMITATION ANY IMPLIED WARRANTIES OF MERCHANTABILITY, FITNESS FOR A PARTICULAR PURPOSE OR NON-INFRINGEMENT OF THIRD PARTY INTELLECTUAL PROPERTY RIGHTS.

These resources are intended for skilled developers designing with TI products. You are solely responsible for (1) selecting the appropriate TI products for your application, (2) designing, validating and testing your application, and (3) ensuring your application meets applicable standards, and any other safety, security, or other requirements. These resources are subject to change without notice. TI grants you permission to use these resources only for development of an application that uses the TI products described in the resource. Other reproduction and display of these resources is prohibited. No license is granted to any other TI intellectual property right or to any third party intellectual property right. TI disclaims responsibility for, and you will fully indemnify TI and its representatives against, any claims, damages, costs, losses, and liabilities arising out of your use of these resources.

TI's products are provided subject to TI's Terms of Sale (<https://www.ti.com/legal/termsofsale.html>) or other applicable terms available either on [ti.com](https://www.ti.com) or provided in conjunction with such TI products. TI's provision of these resources does not expand or otherwise alter TI's applicable warranties or warranty disclaimers for TI products.

Mailing Address: Texas Instruments, Post Office Box 655303, Dallas, Texas 75265
Copyright © 2021, Texas Instruments Incorporated