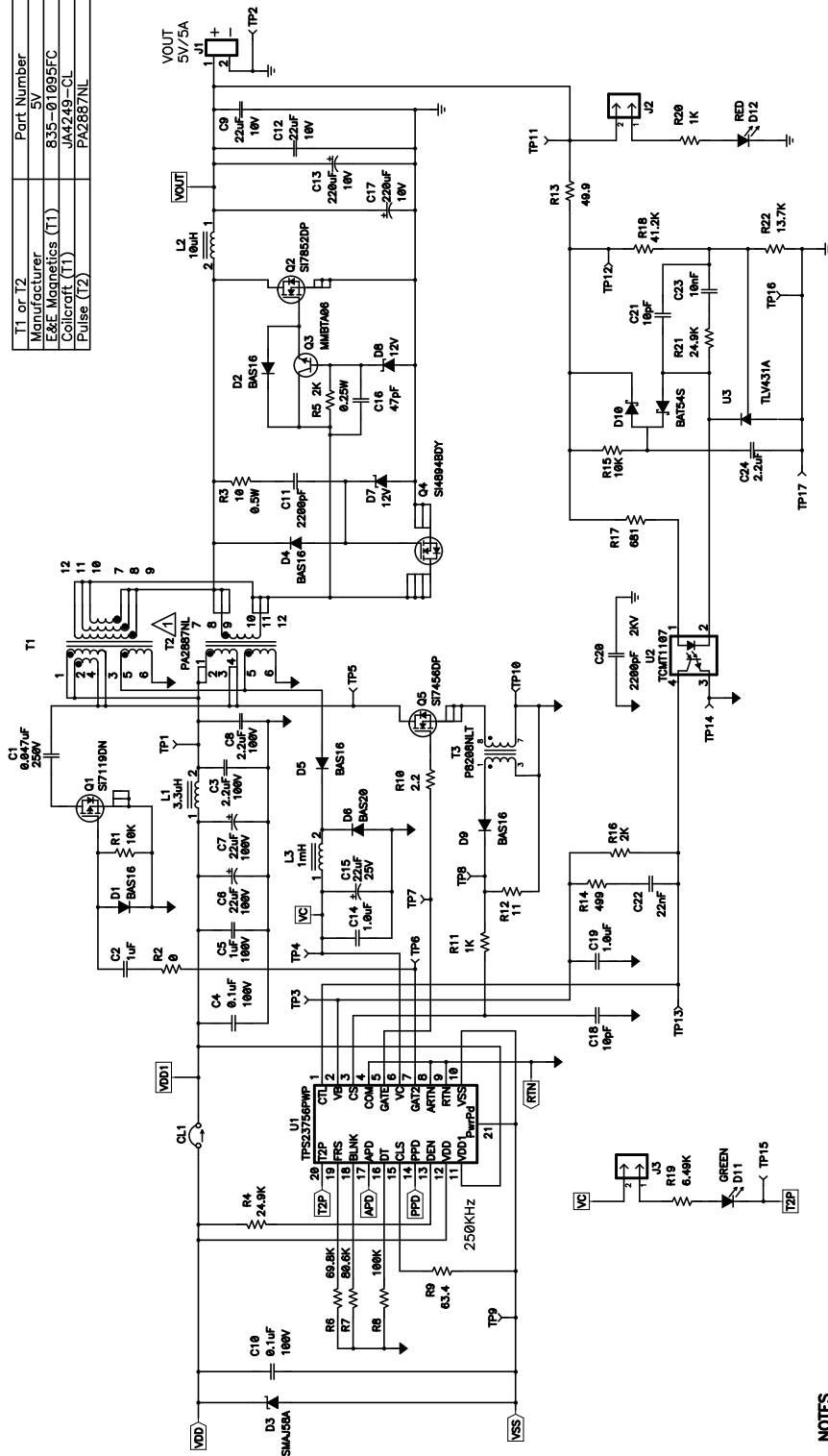


3 Schematic

Type: Wide Input Range Forward
 Output: 5V, 5A, 25W
 External Adaptor: 12V, 24V, 48V

T1 or T2	Part Number
Manufacturer	5V
ExE Magnetics (T1)	635-0105FC
Coilcraft (T1)	JAK249-CL
Pulse (T2)	PAZ887NL



- NOTES
- 1 NOT USED
 - 2 D21 may be replaced with efficient diode circuit
 - 3 48V OPT2 with PoE as hot backup (smooth handoff)
 Install D21, R35, R36. DNP CL1, R27, R29
 Change R31 to 26.7K and R34 to 3.01K

Figure 1. TPS23756EVM Schematic (DC-DC Converter)

