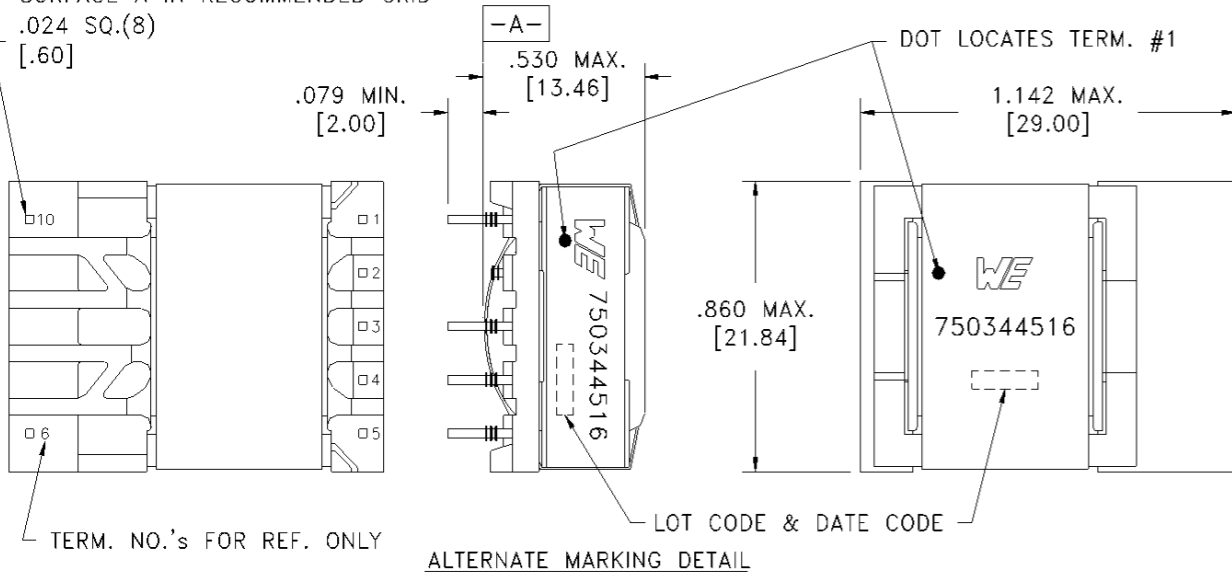


CUSTOMER TERMINAL	RoHS	LEAD(Pb)--FREE
Sn 96%, Ag 4%	Yes	Yes

more than you expect

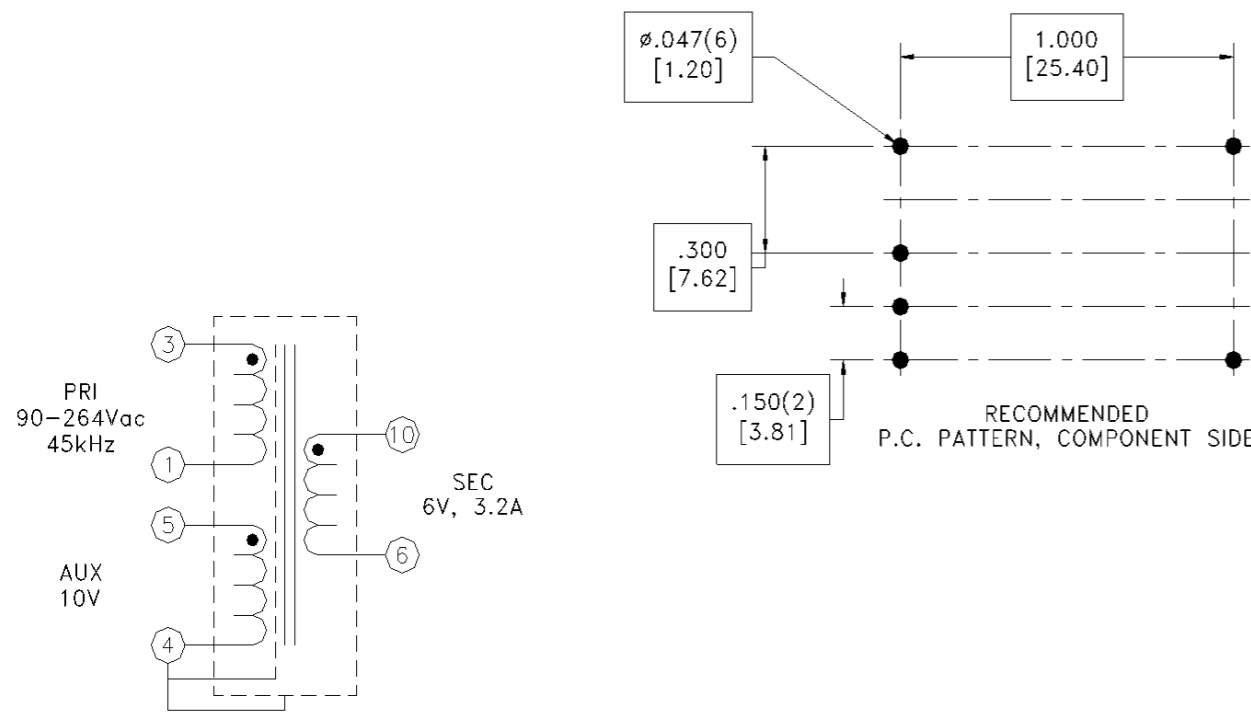


PART MUST INSERT FULLY TO SURFACE A IN RECOMMENDED GRID
.024 SQ.(8)
[.60]



ELECTRICAL SPECIFICATIONS @ 25° C unless otherwise noted:

PARAMETER	TEST CONDITIONS	VALUE
D.C. RESISTANCE	3-1 @20°C	0.445 ohms max.
D.C. RESISTANCE	5-4 @20°C	0.100 ohms max.
D.C. RESISTANCE	10-6 @20°C	0.009 ohms max.
INDUCTANCE	3-1 10kHz, 100mV, Ls	190µH ±10%
SATURATION CURRENT	3-1 20% rolloff from initial	2.2A
LEAKAGE INDUCTANCE	3-1 tie(6+10),100kHz, 100mV, Ls	10µH max.
DIELECTRIC	1-10 tie(3+4), 3750VAC, 1 second	3000VAC, 1 minute
DIELECTRIC	10-Core 3750VAC, 1 second	3000VAC, 1 minute
URNS RATIO	(3-1):(5-4)	5.63:1, ±2%
URNS RATIO	(3-1):(10-6)	9:1, ±2%



GENERAL SPECIFICATIONS:

OPERATING TEMPERATURE RANGE: -40°C to +125°C including temp rise.
Designed to comply with the following requirements as defined by IEC60950-1, EN60950-1, UL60950-1/CSA60950-1 and AS/NZS60950.1:
- Reinforced insulation for a primary circuit at a working voltage of 265Vrms, 400Vpeak, OVC II, Pollution Degree 2.

Wire insulation & RoHS status not affected by wire color. Wire insulation color may vary depending on availability.

DFM		Packaging Specifications	 CONVENTION PLACEMENT	Tolerances unless otherwise specified: Angles: ±1° Decimals: ±.005 [.13] Fractions: ±1/64 Footprint: ±.001 [.03]	DRAWING TITLE TRANSFORMER	PART NO. 750344516
DATE		Method: Tray PKG-0935		This drawing is dual dimensioned. Dimensions in brackets are in millimeters.		
ENG	TLI					
REV.	00					
DATE	2019/9/27	www.we-online.com/midcom				SPECIFICATION SHEET 1 OF 1