

TPS92314 THD Design Consideration

Tony Huang

Power Management/Field Applications

ABSTRACT

The TPS92314 device can be implemented in an LED driver with primary-side regulation and flyback topology. It is an off-line controller specifically designed with the primary-side sensing, constant on-time and quasi-resonant switching techniques. The TPS92314 application circuitry gives high power factor (PF), good EMI performance, and high system efficiency. Also, using the TPS92314 device allows easy design of low external component count application solutions. This paper describes the design consideration for THD and PF, as well as the design example.

Contents

1	Introduction: THD (Total Harmonic Distortion) and PF (Power Factor)	2
2	TPS92314 Loop Design Consideration	5
3	TPS92314 THD Design Consideration	8
4	Conclusion	11
5	References	11

Figures

Figure 1.	The Delay Time Definition.....	2
Figure 2.	THD versus K ($K = V_p/nV_o$)	4
Figure 3.	THD versus m ($K = 3$).....	4
Figure 4.	TPS92314 Delay Time Definition.....	5
Figure 5.	Internal Block Diagram of TPS92314 Device	6
Figure 6.	Control Block Diagram of TPS92314 Device	6
Figure 7.	Small-Signal Circuitry for DCM Power Stage	7
Figure 8.	TPS92314 Overall Small-Signal Circuitry.....	7
Figure 9.	THD Results Comparison.....	9
Figure 10.	PMP4347 Related Small-Signal Circuitry	9
Figure 11.	Simulation Results With 3.3- μ F COMP Capacitor.	10
Figure 12.	Simulation Results With 6.9- μ F COMP Capacitor.	10

Tables

Table 1.	PMP4347 Test Results	8
Table 2.	Calculated Results Based on Equations 1 Through 5.....	8
Table 3.	The Improved THD Test Results.....	8

1 Introduction: THD (Total Harmonic Distortion) and PF (Power Factor)

PF correction is inherent if the TPS92314 device is operated in the constant on-time mode with an adaptive algorithm, and single stage flyback topology like PMP4347.

Considering a specific condition:

AC input voltage (RMS): V_{AC} ; Line AC frequency: f_{AC} ; Rating Power: Pin

Output voltage: V_o ; Transformer turn ratio: $n = N_p/N_s$;

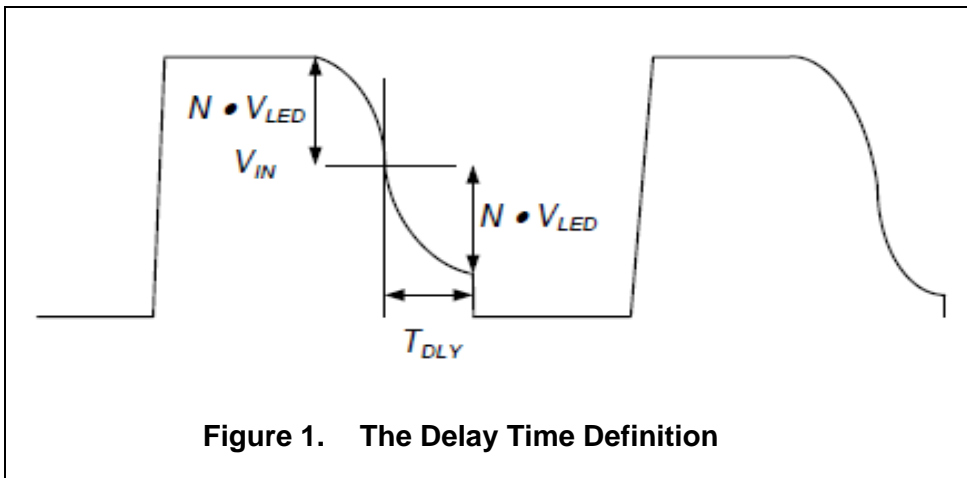
Let: $\omega = 2\pi f_{AC}$;

In the primary side, it is essential that the transition mode single stage can generate the following switching current and input average current shown in Figure.1. During a high-frequency switching cycle $t \in [\tau, \tau + T_{sw}]$, the duty cycle and primary-side peak current should follow the following equations:

$$D(t) = \frac{t_{ON}}{t_{ON} + t_{off} + 2 \times t_{Dly}}; \quad i_{peak}(t) = \frac{\sqrt{2}V_{AC}t_{ON}}{L_p} \sin(\omega t)$$

$$t_{off} = \frac{t_{ON} \times \sqrt{2}V_{AC}}{n \times V_o}$$

Here a delay time can be defined in Figure 1.



$$\text{Let: } K = \frac{\sqrt{2}V_{AC}}{nV_o}, \quad m = \frac{2t_{Dly}}{t_{ON}} + 1,$$

$$\text{And } I_m = \frac{\sqrt{2}V_{AC}}{2L_p} t_{ON} \quad (\text{Eq.1})$$

Then the duty cycle:

$$D(t) = \frac{1}{m + K \times \text{Sin}(\omega t)}; \text{ and peak current } i_{peak}(t) = 2I_m \text{Sin}(\omega t)$$

As a results, during a high-frequency switching cycle $t \in [\tau, \tau + T_{sw}]$, the input continuous current can be derived as shown in Equation 2:

$$i_{in}(t) = I_m \frac{\text{Sin}(\omega t)}{m + K \times \text{Sin}(\omega t)} \quad (\text{Eq.2})$$

Considering the practical design for the peak current mode, the K should be greater than m.

Equation 2 showed that the input current is not a pure SINE waveform, but that it contains high-order harmonic elements.

The input total RMS current can be derived as shown in Equation 3:

$$I_{in} = \sqrt{\frac{\int_0^\pi i_{in}^2(t) d\omega t}{\pi}} = \frac{I_m}{\sqrt{\pi}} \sqrt{\int_0^\pi \frac{\text{Sin}^2(\omega t)}{(m + K \times \text{Sin}(\omega t))^2} d\omega t}$$

Then,

$$I_{in} = \frac{I_m}{\sqrt{\pi}K} \sqrt{\pi - 4\frac{K}{m} + 2\frac{(2K^2 - m^2)}{(K^2 - m^2)} \left(\frac{K}{m} + m \frac{\text{Ln}\left(\frac{K - \sqrt{K^2 - m^2}}{m}\right)}{\sqrt{K^2 - m^2}} \right)} \quad (\text{Eq.3})$$

Considering the harmonics elements of the input current, the first harmonics RMS current should be:

$$I_{1RMS} = \frac{1}{\sqrt{2}} \frac{2}{\pi} \int_0^\pi i_{in}(t) \text{Sin}(\omega t) d\omega t = \frac{\sqrt{2}}{\pi} \int_0^\pi I_m \frac{\text{Sin}^2(\omega t)}{m + K \times \text{Sin}(\omega t)} d\omega t$$

Then:

$$I_{1RMS} = \frac{\sqrt{2}I_m}{\pi K^2} \left[2K - m\pi + \frac{2m^2 \text{Ln}\left(\frac{K + \sqrt{K^2 - m^2}}{m}\right)}{\sqrt{K^2 - m^2}} \right] \quad (\text{Eq.4})$$

“ I_{1RMS} ” is the fundamental harmonic element of the input current.

Practically, the input power comes from the fact that the input line AC voltage times the first harmonics RMS current. Equation 5 shows the total harmonics distortion (THD):

$$THD = \frac{\sqrt{I_m^2 - I_{1RMS}^2}}{I_{1RMS}} \tag{Eq.5}$$

Figure 2 shows how THD changes with different “K”.

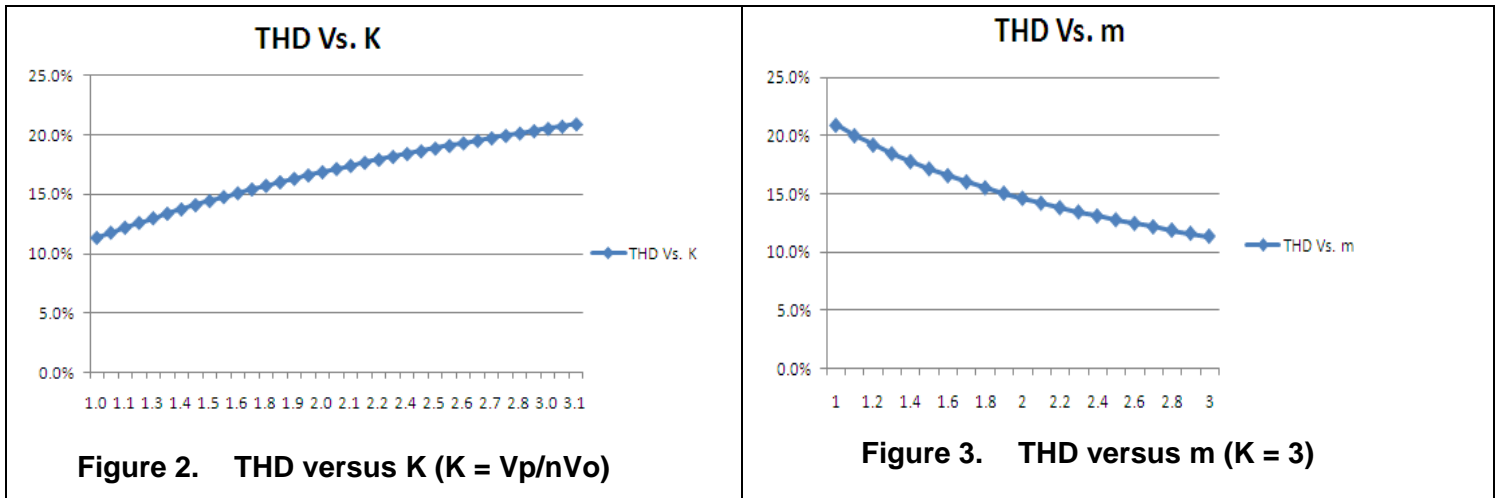


Figure 2 shows that increasing K causes an increase of THD. Thereby the transformer turn ratio, n ($n = Np/Ns$) should be high enough to realize a lower K. Hence, the higher the input voltage, the higher the THD.

Meanwhile, the increasing m causes a decreased THD. It means if delay time is increased during the off-time of the switching, the THD can decrease (see Figure 3).

It is possible to increase the m by increasing t_{Dly} . It is known that:

$$t_{Dly} = \frac{\pi \sqrt{L_p C_{ds}}}{2} \tag{Eq.6}$$

So that the larger L_p or C_{ds} can improve THD. For example, an additional capacitor in C_{ds} can improve THD.

According to the TPS92314 data sheet, the DLY delay time can be programmed as shown in Figure.4.

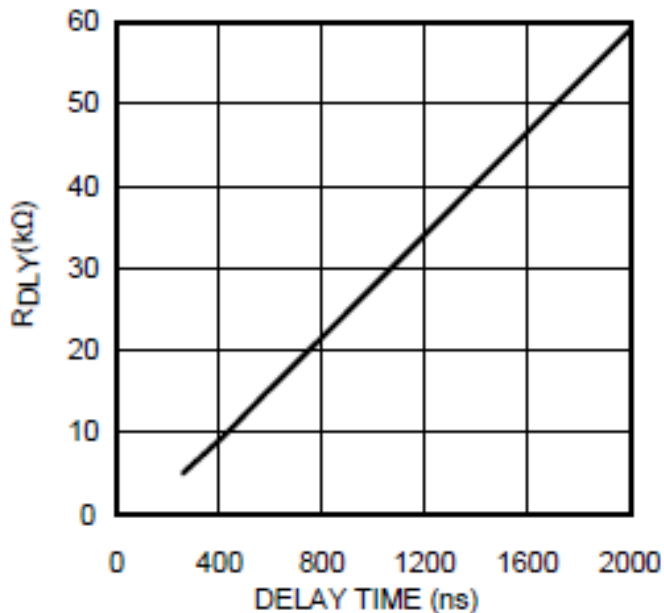


Figure 4. TPS92314 Delay Time Definition

The equation is: $R_{DLY} = K_{DLY} (t_{Dly} - 105ns)$ (Eq.7)

Where: $K_{DLY} = 32M\Omega/ns$

Therefore, based on Equation 5 and Equation 6, improved THD results are possible.

2 TPS92314 Loop Design Consideration

The TPS92314 device employs a discontinuous current mode with adaptive frequency. Figure 5 shows the internal block diagram of the TPS92314 device.

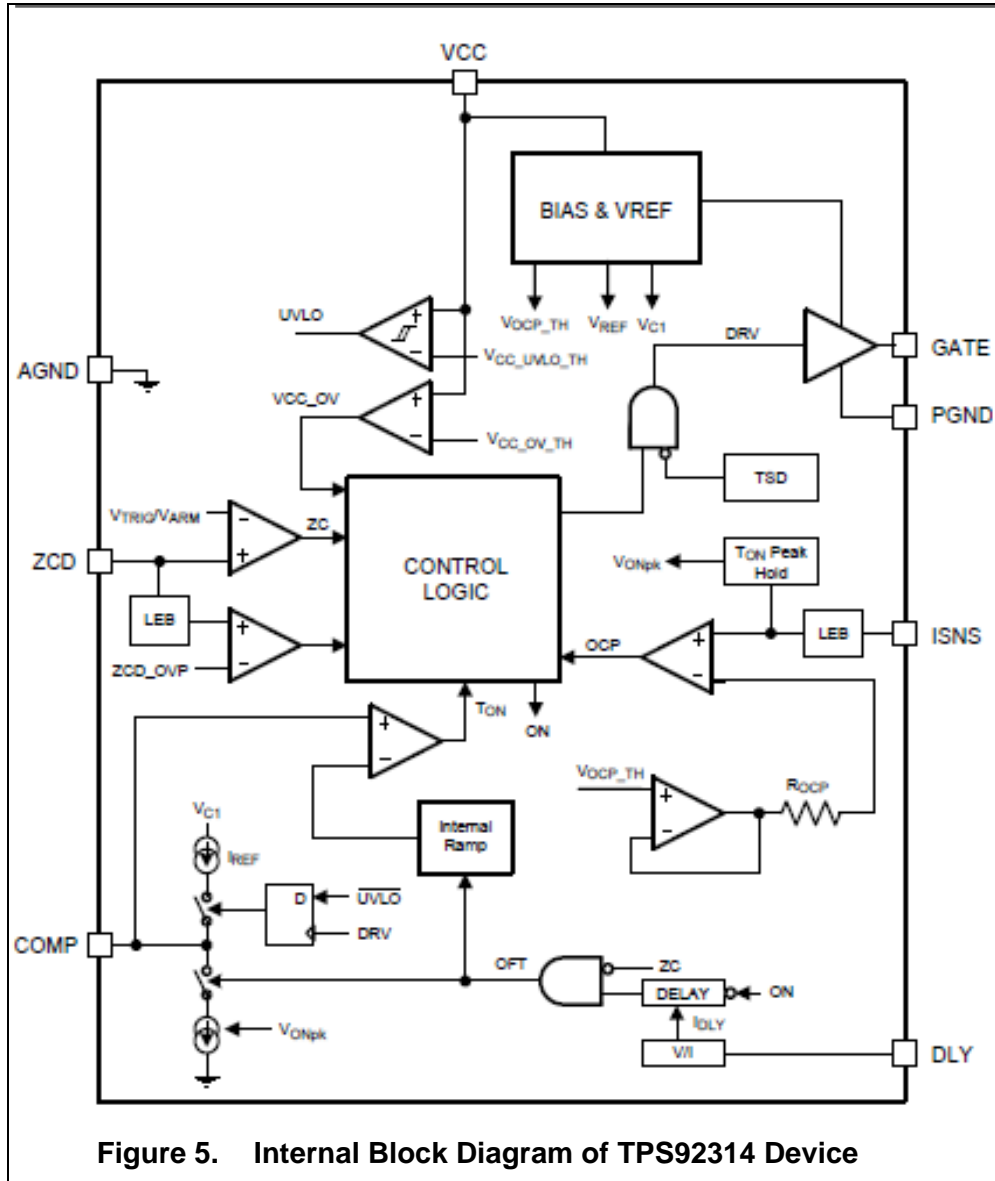


Figure 5. Internal Block Diagram of TPS92314 Device

Figure 6 shows the control block diagram of the TPS92314 device.

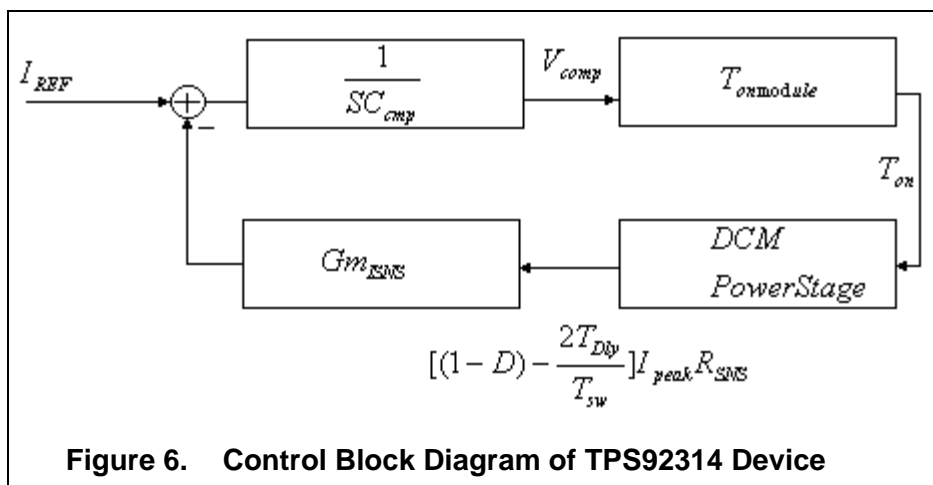


Figure 6. Control Block Diagram of TPS92314 Device

According to the TPS92314 data sheet:

Here: $I_{REF} = 27\mu A$; $Gm_{ISNS} = 96\mu mho$; $T_{on\ module} = 21\mu s / v$

And, by the DCM analysis, $[(1 - D) - \frac{2T_{Dly}}{T_{sw}}]I_{peak} R_{SNS} = 2 \times I_{LED} \times R_{SNS} / n$

For the DCM flyback power stage, according to reference [3], it is possible to get the small-signal circuitry shown in Figure 7

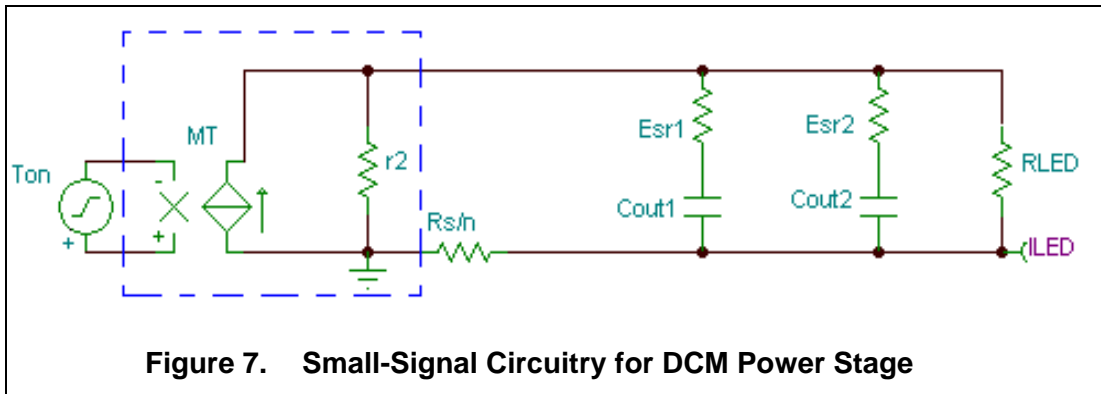


Figure 7. Small-Signal Circuitry for DCM Power Stage

$$\text{Here, } M_T = \frac{V_I^2}{2L_p(m + \frac{V_I}{nV_{out}})V_{out}}; r_2 = \frac{2L_p(m + \frac{V_I}{nV_{out}})^2 V_{out}^2}{V_I^2 t_{on}} \quad (\text{Eq.8})$$

Therefore, the overall small-signal circuitry shown in Figure 8 can be obtained.

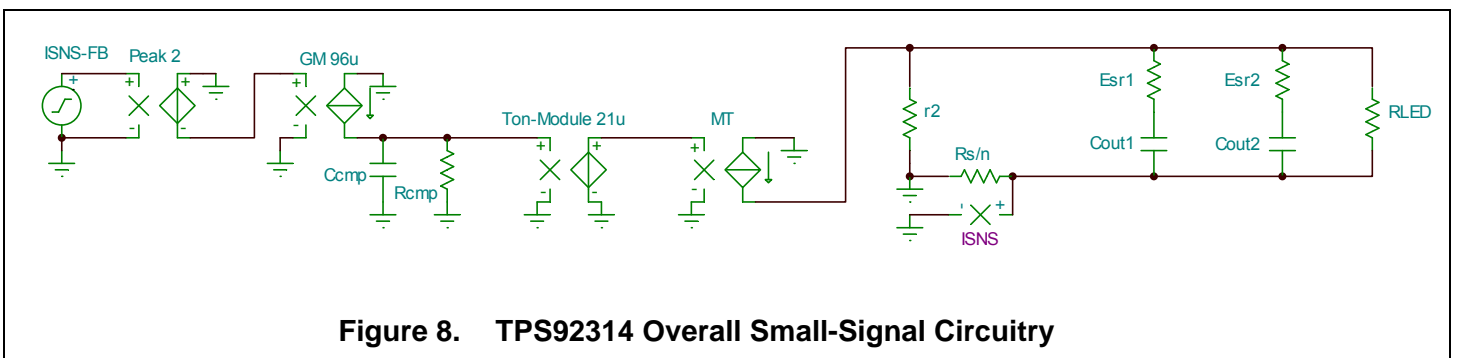


Figure 8. TPS92314 Overall Small-Signal Circuitry

3 TPS92314 THD Design Consideration

A design example: with 90 to 264 VAC universal AC input, and 40 V/20 W T8 LED driver with 420-mA current.

In the original design, the primary side to secondary side transformer turn ratio is 3:1, and the primary side inductor is 460 μ H.

According to the PMP4347 reference design, with the 6.8k resistor in DLY (pin 5), Table 1 lists the test results:

Vin (Vac)	PF	THD (%)	Vo (V)	Io (A)	Pin (W)	Eff (%)
264	0.915	23.9	40.07	0.428	19.33	88.7
220	0.944	21.7	40.03	0.423	18.92	89.5
180	0.965	19.1	40	0.419	18.66	89.8
110	0.99	12.8	39.94	0.414	18.72	88.3

Table 1. PMP4347 Test Results

With less than 20 percent THD requirement, the THD in Table 1 must be improved.

According the calculations based on the preceding equations, the following expected results are derived:

Vin (Vac)	Vout (V)	n	m	Lp (μ H)	Iout (A)	Ton (μ s)	r2	MT (k)	Pin (W)
264	40	3	1.6	460	0.42	1.1	213.73	803.99	20
I1RMS (A)	Iin (A)	Ipeak (A)	THD	Toff-Max (μ s)	tDLY (ns)	Remark: It is based on a 7.5k resistor in pin 5 (DLY) of the TPS92314 device.			
0.076	0.077	0.89	16.7%	4.07	339.4				

Table 2. Calculated Results Based on Equations 1 Through 5

We can increase the delay time, or the m, by adding a 220-pF capacitor between drain and source of the Q1 MOSFET. Meanwhile, we can increase the delay setup resistor in pin 5 of the TPS92314 device, from 6.8k to 7.5k; this provides the related delay time setup according to Equation 7.

Therefore, the test results with 7.5k DLY resistor are obtained as listed in Table 3:

Vin (Vac)	PF	THD (%)	Vo (V)	Io (A)	Pin (W)	Eff (%)
264	0.92	19.6	40.05	0.425	19.75	86.2
220	0.948	17.6	40	0.418	19.04	87.8
180	0.969	15.8	39.92	0.413	18.55	88.9
110	0.992	10.6	39.88	0.407	18.58	87.4

Table 3. The Improved THD Test Results

Figure 9 shows the comparison between Table 1 and Table 3.

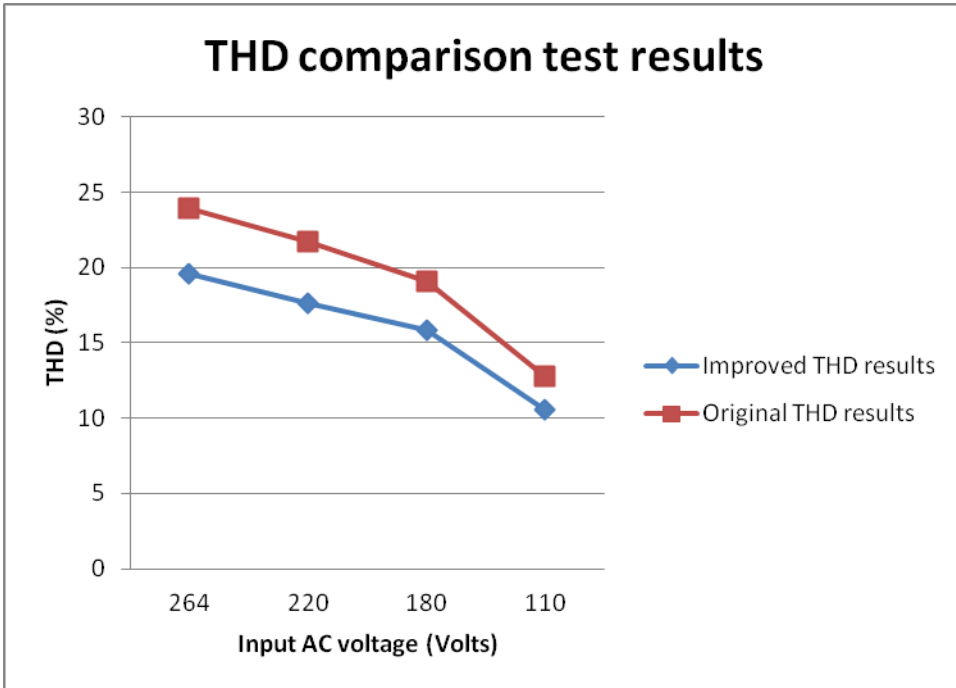


Figure 9. THD Results Comparison

Figure 9 shows approximately 4 percent THD reduction with 26-VAC input.

Compared the Table 2 calculation with the Table 3 test results, with 26-VAC input, there is still some THD gap with 16.7 percent versus 19.6 percent.

According to the preceding discussion and related equations, with 264-VAC input, PMP4347 small-signal circuitry can be obtained, as shown in Figure 10:

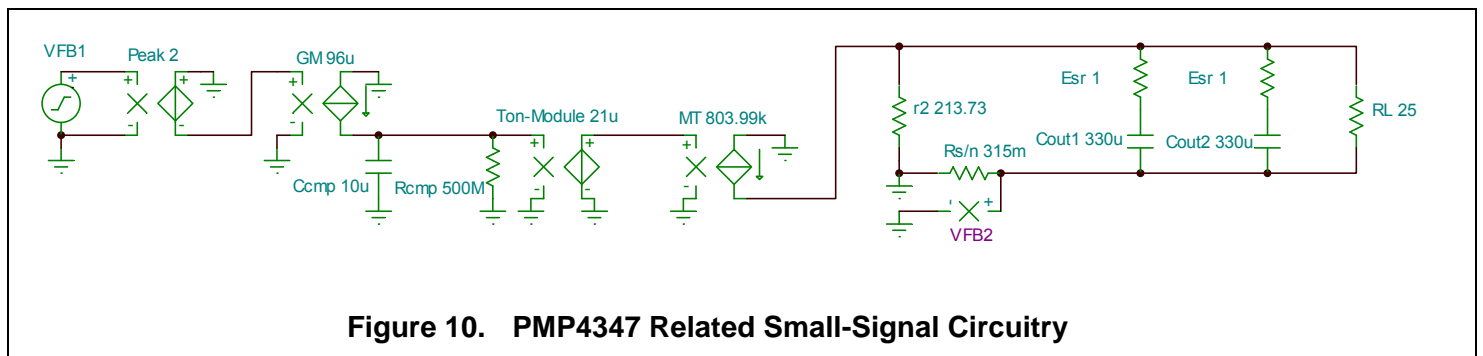


Figure 10. PMP4347 Related Small-Signal Circuitry

Figure 11 shows the simulation results. This figure shows the cross-over frequency is 49 Hz and the phase margin is 91 degrees.

It is known that the input $2 \geq x$ 50 Hz needs a lower cross-over frequency to damp. A larger capacitor can be implemented in the COMP pin of the TPS92314 device. We can change it from 3.3 μ F to 6.9 μ F. After the update, the cross-over frequency is 23 Hz and the phase margin is 92 degrees.

Therefore, with the capacitor change, the test results showed a new THD:

[THD = 17.8% @ \$V_{in} = 264 \text{ VAC}\$](#) . It is much lower than the THD test results with 264 VAC input in Table.3.

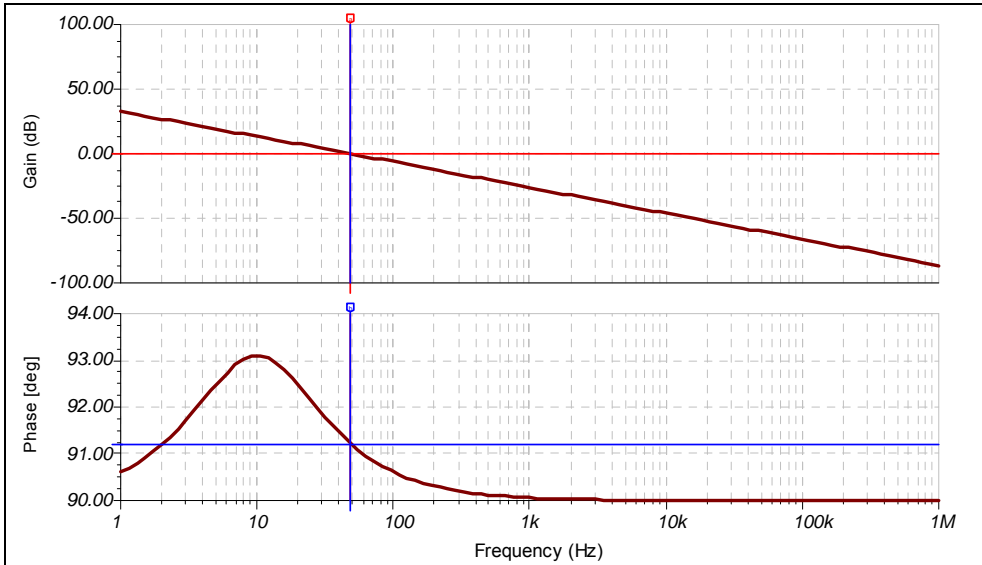


Figure 11. Simulation Results With 3.3-µF COMP Capacitor

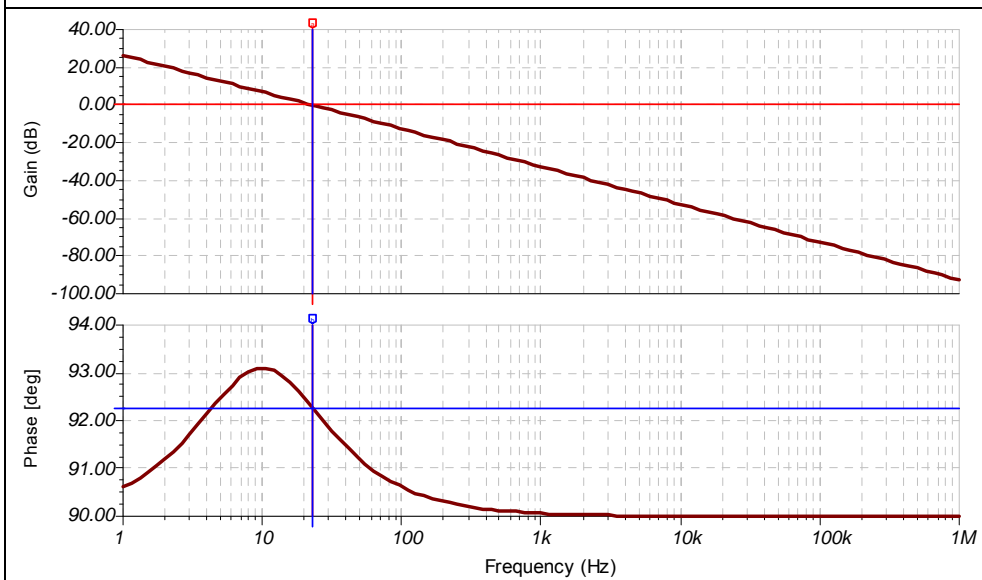


Figure 12. Simulation Results With 6.9-µF COMP Capacitor

4 Conclusion

This application note provides the analysis about single-stage flyback in the LED driver, and the solution to improve the THD results in the LED driver based on the TPS92314 device. Meanwhile, a practical design has been implemented. This paper explained the solutions and proved they are effective.

5 References

1. Texas Instruments, SNVS856A, TPS92314 data sheet
2. Linda Ye, Texas Instruments, PMP4347 reference design
3. Tony Huang, Texas Instruments, SLUA625, *LED Driver Based on UCC28060 Interleaved ACDC Single Stage Flyback*

IMPORTANT NOTICE

Texas Instruments Incorporated and its subsidiaries (TI) reserve the right to make corrections, enhancements, improvements and other changes to its semiconductor products and services per JESD46, latest issue, and to discontinue any product or service per JESD48, latest issue. Buyers should obtain the latest relevant information before placing orders and should verify that such information is current and complete. All semiconductor products (also referred to herein as "components") are sold subject to TI's terms and conditions of sale supplied at the time of order acknowledgment.

TI warrants performance of its components to the specifications applicable at the time of sale, in accordance with the warranty in TI's terms and conditions of sale of semiconductor products. Testing and other quality control techniques are used to the extent TI deems necessary to support this warranty. Except where mandated by applicable law, testing of all parameters of each component is not necessarily performed.

TI assumes no liability for applications assistance or the design of Buyers' products. Buyers are responsible for their products and applications using TI components. To minimize the risks associated with Buyers' products and applications, Buyers should provide adequate design and operating safeguards.

TI does not warrant or represent that any license, either express or implied, is granted under any patent right, copyright, mask work right, or other intellectual property right relating to any combination, machine, or process in which TI components or services are used. Information published by TI regarding third-party products or services does not constitute a license to use such products or services or a warranty or endorsement thereof. Use of such information may require a license from a third party under the patents or other intellectual property of the third party, or a license from TI under the patents or other intellectual property of TI.

Reproduction of significant portions of TI information in TI data books or data sheets is permissible only if reproduction is without alteration and is accompanied by all associated warranties, conditions, limitations, and notices. TI is not responsible or liable for such altered documentation. Information of third parties may be subject to additional restrictions.

Resale of TI components or services with statements different from or beyond the parameters stated by TI for that component or service voids all express and any implied warranties for the associated TI component or service and is an unfair and deceptive business practice. TI is not responsible or liable for any such statements.

Buyer acknowledges and agrees that it is solely responsible for compliance with all legal, regulatory and safety-related requirements concerning its products, and any use of TI components in its applications, notwithstanding any applications-related information or support that may be provided by TI. Buyer represents and agrees that it has all the necessary expertise to create and implement safeguards which anticipate dangerous consequences of failures, monitor failures and their consequences, lessen the likelihood of failures that might cause harm and take appropriate remedial actions. Buyer will fully indemnify TI and its representatives against any damages arising out of the use of any TI components in safety-critical applications.

In some cases, TI components may be promoted specifically to facilitate safety-related applications. With such components, TI's goal is to help enable customers to design and create their own end-product solutions that meet applicable functional safety standards and requirements. Nonetheless, such components are subject to these terms.

No TI components are authorized for use in FDA Class III (or similar life-critical medical equipment) unless authorized officers of the parties have executed a special agreement specifically governing such use.

Only those TI components which TI has specifically designated as military grade or "enhanced plastic" are designed and intended for use in military/aerospace applications or environments. Buyer acknowledges and agrees that any military or aerospace use of TI components which have **not** been so designated is solely at the Buyer's risk, and that Buyer is solely responsible for compliance with all legal and regulatory requirements in connection with such use.

TI has specifically designated certain components as meeting ISO/TS16949 requirements, mainly for automotive use. In any case of use of non-designated products, TI will not be responsible for any failure to meet ISO/TS16949.

Products

Audio	www.ti.com/audio
Amplifiers	amplifier.ti.com
Data Converters	dataconverter.ti.com
DLP® Products	www.dlp.com
DSP	dsp.ti.com
Clocks and Timers	www.ti.com/clocks
Interface	interface.ti.com
Logic	logic.ti.com
Power Mgmt	power.ti.com
Microcontrollers	microcontroller.ti.com
RFID	www.ti-rfid.com
OMAP Applications Processors	www.ti.com/omap
Wireless Connectivity	www.ti.com/wirelessconnectivity

Applications

Automotive and Transportation	www.ti.com/automotive
Communications and Telecom	www.ti.com/communications
Computers and Peripherals	www.ti.com/computers
Consumer Electronics	www.ti.com/consumer-apps
Energy and Lighting	www.ti.com/energy
Industrial	www.ti.com/industrial
Medical	www.ti.com/medical
Security	www.ti.com/security
Space, Avionics and Defense	www.ti.com/space-avionics-defense
Video and Imaging	www.ti.com/video

TI E2E Community

e2e.ti.com