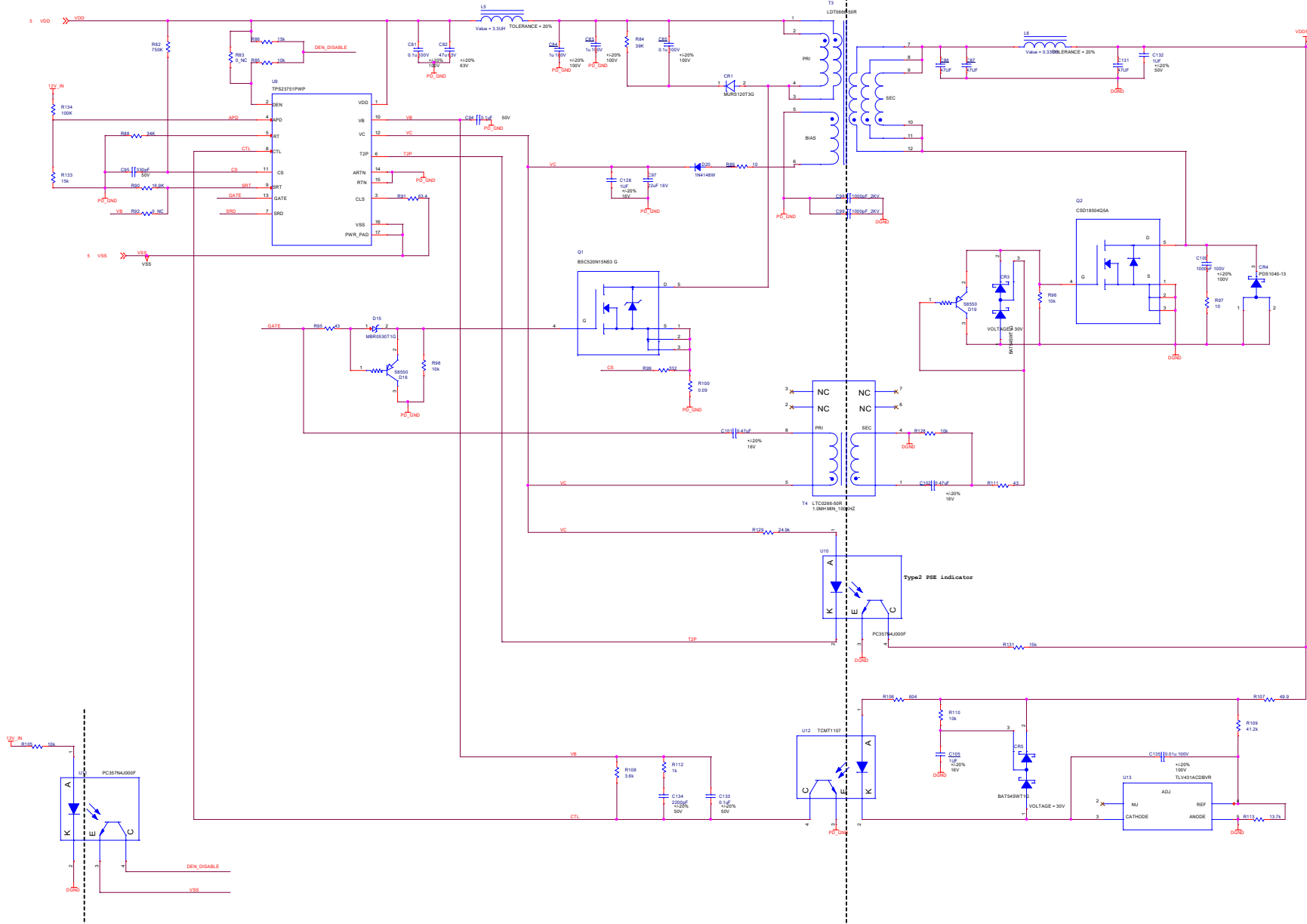


Title	<Title>		Rev	<Rev>
Size	Document Number			<Doc>
C	<Doc>			<Doc>
Date:	Monday, December 31, 2018	Sheet	5	of 7



File	<Tlib>
Doc	Document Number
D	Desc
File	Estimate: August 28, 2015
Sheet	6 of 7