

Dear

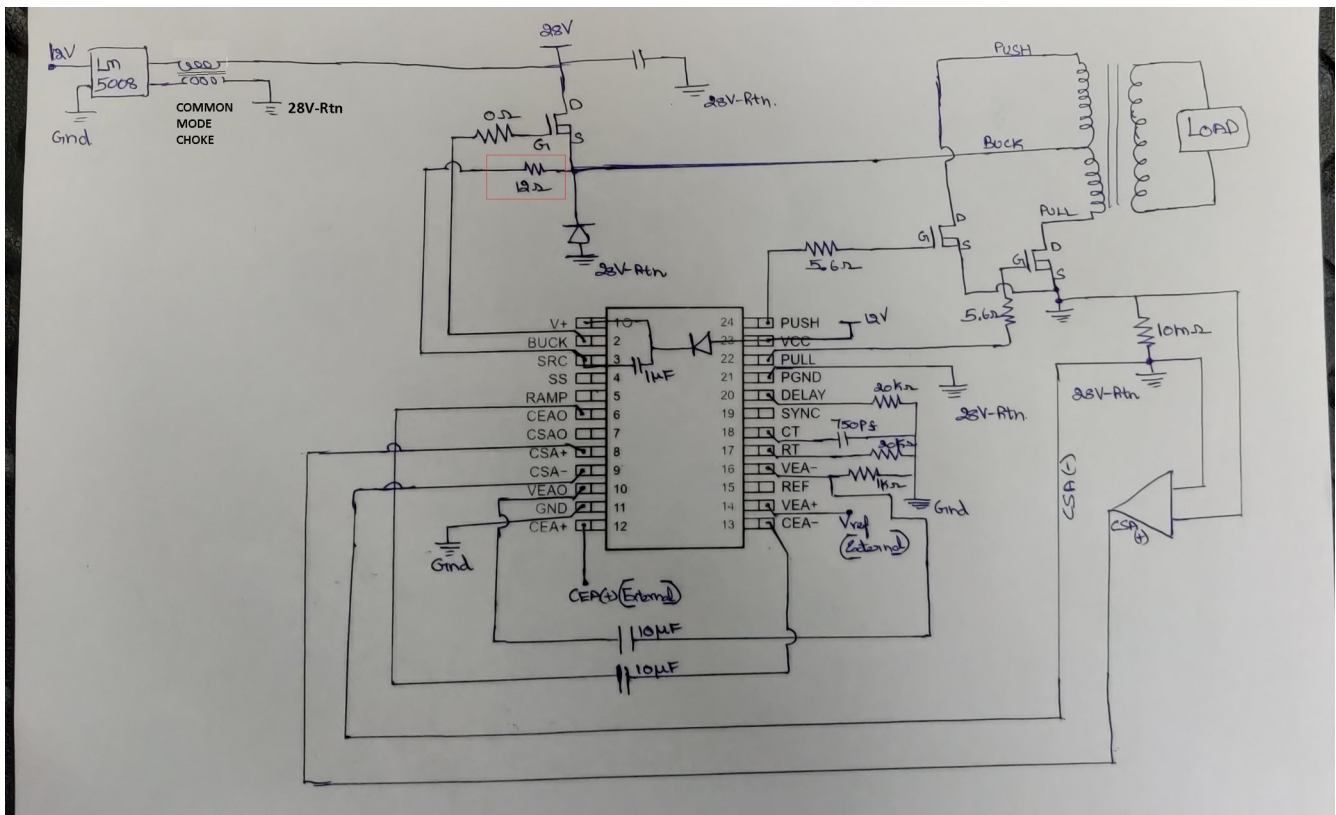
The Input voltage is 28V

Buck Voltage is 24V @ 85% duty

Output Voltage at Push/pull is  $V_{top} = 50V$  and  $V_{max} = 130V$

$R_t = 20K$ ,  $C_t = 750pF$ ,

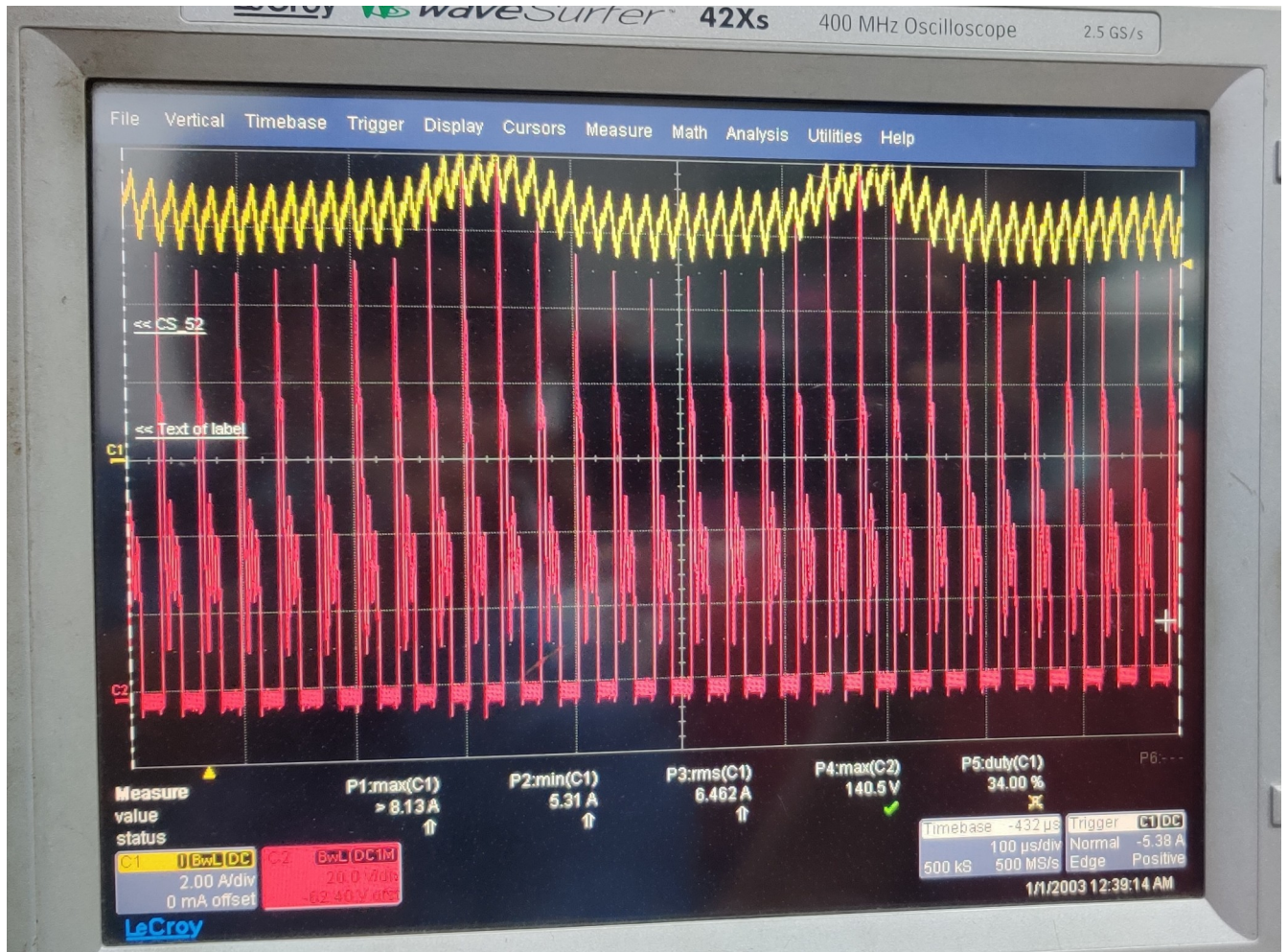
Switching Frequency is 51KHz



The buck current is unstable in long time span as shown in the below images



Yellow – Buck Current  
 Pink – Push/ Pull Voltage



Yellow – Buck Current  
 Pink – Push/ Pull Voltage