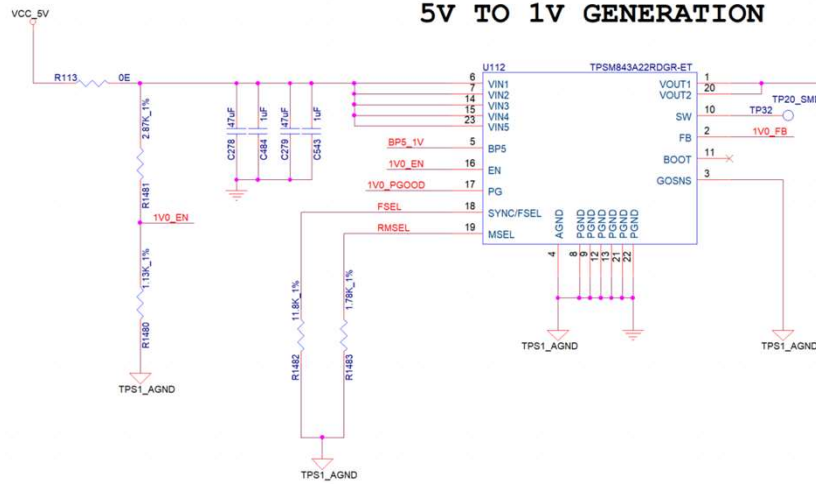
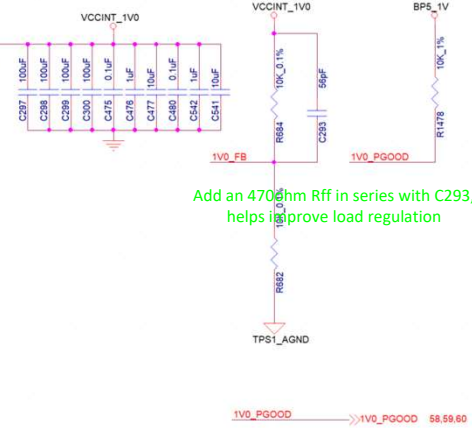


5V TO 1V GENERATION



1.0V@10A GENERATION



Add 100ohm between r684,c293
vccint_1v0 for testing frequency
response

Add an 470ohm Rff in series with C293,
helps improve load regulation